

MICRO SWITCH

FREEPORT ILLINOIS, U.S.A
A DIVISION OF HONEYWELL

FED. MFG. CODE 91929

SWITCH - BASIC

CATALOG LISTING

BZ-7RLT04

M8805/1-032

BZ-7RLT04

DRAWING NUMBER

ISSUE 12/16

REVISIONS

A CO22575

3 JAN 68

OMW

CO 22575

8 AUG 68

6FS

C CO-50411

17 NOV 81

D CO 54729

3 MAY 84

E CO-69351-D

18 JUL 91

JWB

18 JUL 91

REPLACES

RELEASE NO.

CHECK

68

26 JAN 68

CVT

68

26 JAN 68

CHECK

68

26 JAN 68

LSD

68

CHECK

68

26 JAN 68

68

26 JAN 68

68

26 JAN 68

68

26 JAN 68

68

26 JAN 68

68

26 JAN 68

68

26 JAN 68

68

26 JAN 68

68

26 JAN 68

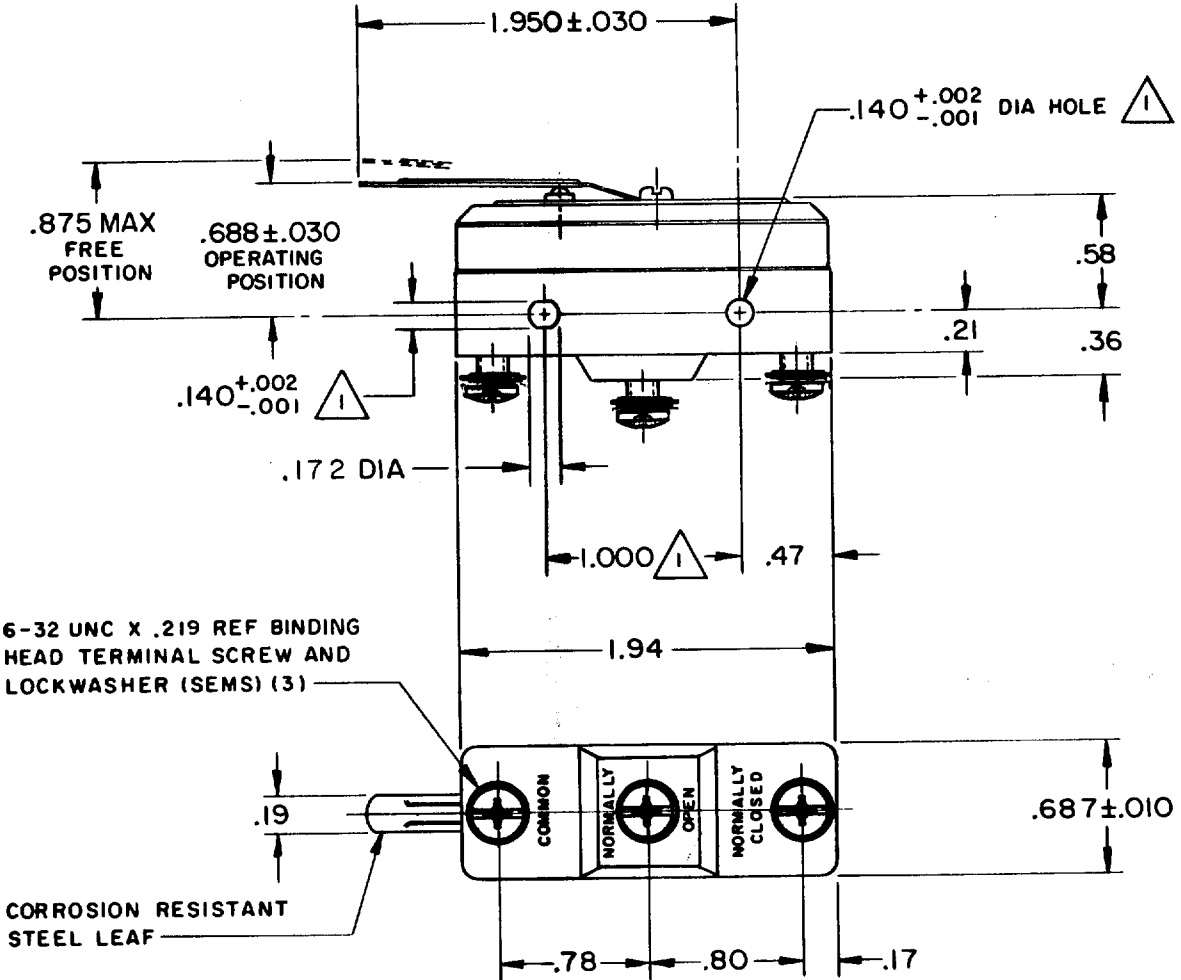
68

26 JAN 68

68

26 JAN 68

68



NOTE -
MOUNTING HOLES WILL ACCEPT PINS OR SCREWS
OF .139 MAX DIA ON 1.000 ± .002 CENTERS

THIS DRAWING COVERS A PROPRIETARY ITEM AND IS THE PROPERTY OF MICRO SWITCH, A DIVISION OF HONEYWELL. THIS DRAWING IS NOT TO BE COPIED OR USED WITHOUT THE APPROVAL OF MICRO SWITCH.

CHARACTERISTICS	ELECTRICAL DATA	SCALE FULL
OPERATING FORCE----- 9 OZ MAX	CONTACT ARRANGEMENT S P D T	DO NOT SCALE PRINT
RELEASE FORCE----- 0.5 OZ MIN		UNLESS OTHERWISE NOTED
PRETRAVEL----- .219 MAX		DIMENSIONS ARE IN INCHES
DIFFERENTIAL TRAVEL----- .080 MAX		TOLERANCES ARE:
FOR OPTIMUM LIFE DO NOT OVERTRAVEL		ONE PLACE (.0) ± .030
MORE THAN .060		TWO PLACE (.00) ± .015
		THREE PLACE (.000) ± .005
		ANGLES ±
		WEIGHT .063 LB

CO-50378-1A

DRAWN

OMW

3

JAN

68