

MICRO SWITCH

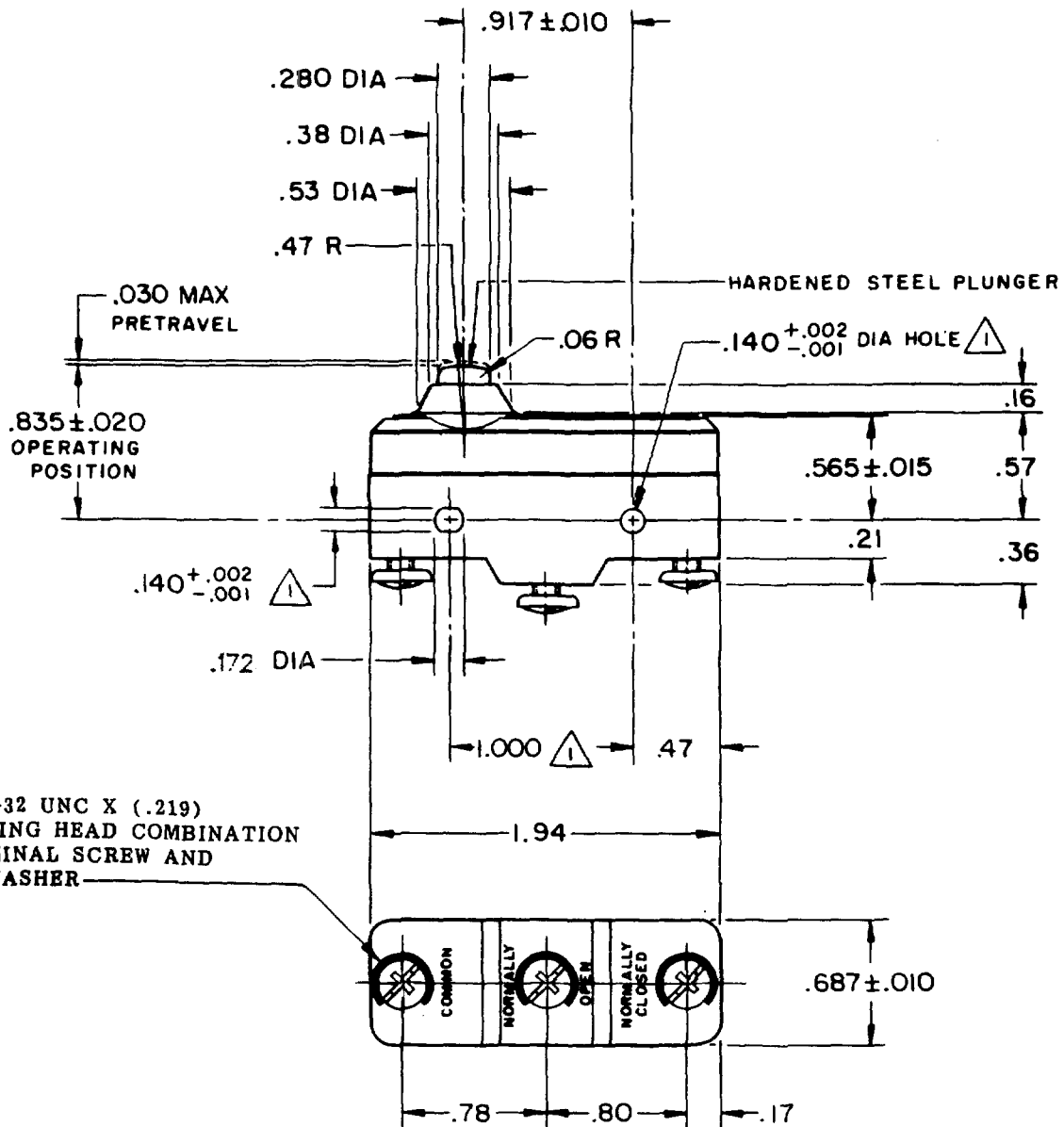
FREERPORT ILLINOIS, U.S.A
A DIVISION OF HONEYWELL

FED. MFG. CODE 91929

SWITCH - BASIC

CATALOG LISTING

BZ-7RD-A2



3X 6-32 UNC X (.219)
BINDING HEAD COMBINATION
TERMINAL SCREW AND
CUPWASHER

NOTE
▲ MOUNTING HOLES WILL ACCEPT PINS OR SCREWS
OF .139 MAX DIA ON 1.000 ± .002 CENTERS

THIS DRAWING COVERS A PROPRIETARY ITEM AND IS THE PROPERTY OF MICRO SWITCH, A DIVISION OF HONEYWELL. THIS DRAWING IS NOT TO BE COPIED OR USED WITHOUT THE APPROVAL OF MICRO SWITCH.

CHARACTERISTICS

OPERATING FORCE ----- 22-28 OZ
RELEASE FORCE ----- 4 OZ MIN
DIFFERENTIAL TRAVEL ----- .0025 - .0070
OVERTRAVEL ----- .062 MIN

ELECTRICAL DATA

CONTACT ARRANGEMENT
SPDT

UNDERWRITERS' LAB. INC. LISTED RATING
-L98- 15A-125, 250 OR 480 VAC
1/8HP-125 VAC; 1/4HP-250 VAC
1/2A-125 VDC; 1/4A-250 VDC

-L288-
-L299-
-L306-

CE D SP
16A 250V ~ T85 5E4

SCALE FULL

DO NOT SCALE PRINT

UNLESS OTHERWISE NOTED
DIMENSIONS ARE IN INCHES

TOLERANCES ARE:

ONE PLACE	(.0)	± .030
TWO PLACE	(.00)	± .015
THREE PLACE	(.000)	± .005
ANGLES		±

WEIGHT .064 LB

BZ-7RD-A2

PAGE 1 OF 1

M

DRAWING NUMBER

9

ISSUE

REVISIONS

A	NEW DWG		
R	C	R	
19	JULY	71	
B	CO-73287-J		
J	A	L	
22	NOV	93	
C	CO-77589		
K	D	R	
29	MAR	94	
D	CO93346		
D	L	T	
9	SEP	98	

CHECK

20 JULY 71

CHECK

20 JULY 71

CHECK

20 JULY 71

CHECK

20 JULY 71

CHECK

20 JULY 71

CHECK

20 JULY 71

CHECK

20 JULY 71

CHECK

20 JULY 71

CHECK

20 JULY 71

CHECK

20 JULY 71

CHECK

20 JULY 71

CHECK

20 JULY 71

CHECK

20 JULY 71

CHECK

20 JULY 71

CHECK

20 JULY 71

CHECK

20 JULY 71

CHECK

20 JULY 71

FORMTEK

0-80378-1A

DRAWN

R C R 19 JULY 71

CHECK

CHECK

RELEASE NO. PR-1991

REPLACES