



# MICRO SWITCH

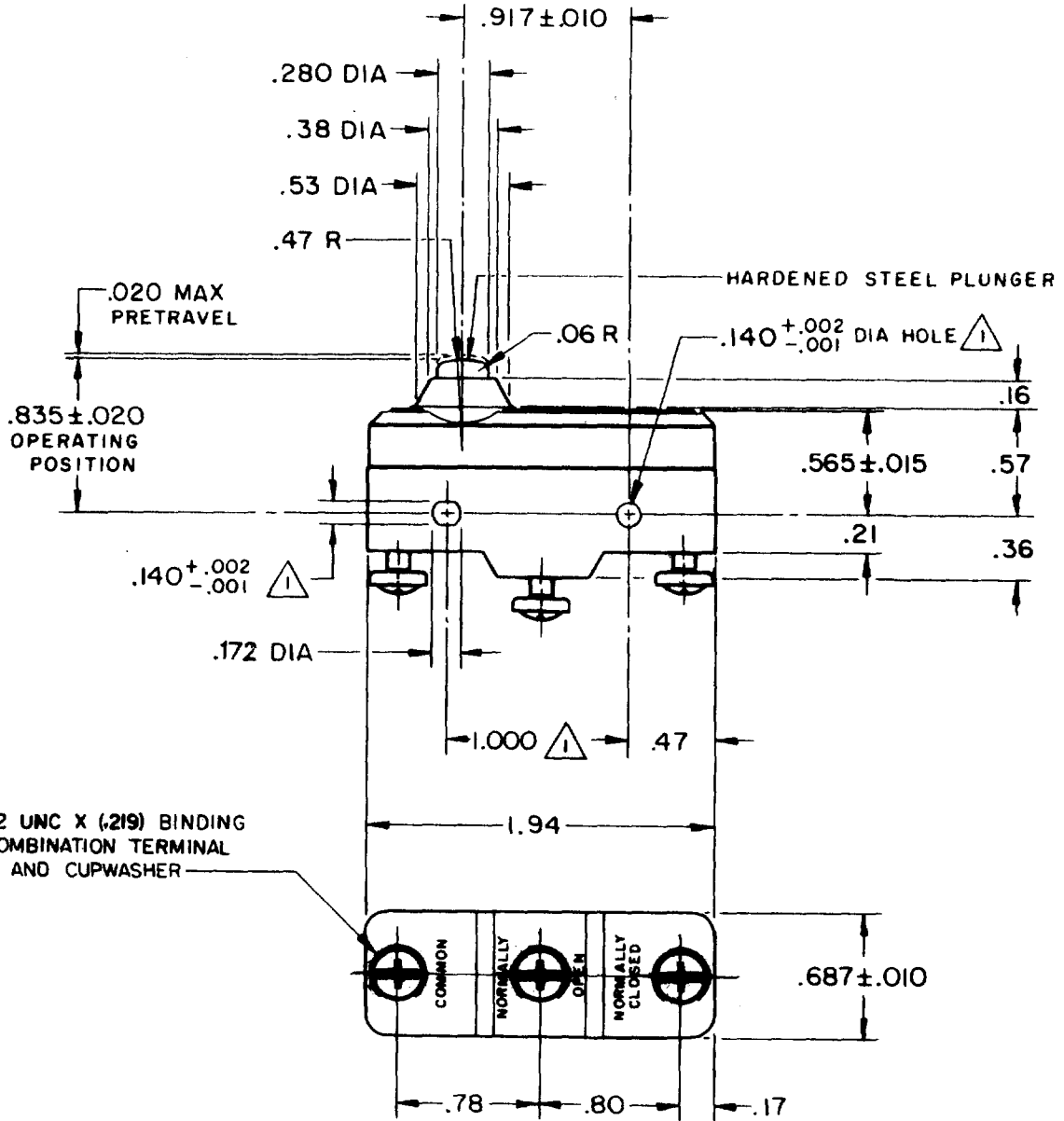
FREEPORT, ILLINOIS, U.S.A.  
A DIVISION OF HONEYWELL

FED. MFG. CODE 91829

# SWITCH - BASIC

CATALOG LISTING

# BZ-3RD-A2



NOTE  
 ▲ MOUNTING HOLES WILL ACCEPT PINS OR SCREWS  
 OF .139 MAX DIA ON 1.000 ± .002 CENTERS

THIS DRAWING COVERS A PROPRIETARY ITEM AND IS THE PROPERTY OF MICRO SWITCH, A DIVISION OF MINNEAPOLIS-HONEYWELL REGULATOR CO. THIS DRAWING IS NOT TO BE COPIED OR USED WITHOUT THE APPROVAL OF MICRO SWITCH.

CHARACTERISTICS	ELECTRICAL DATA	SCALE FULL
OPERATING FORCE ----- 14 - 20 OZ	CONTACT ARRANGEMENT S P D T	DO NOT SCALE PRINT
RELEASE FORCE ----- 4 OZ MIN	L96 15A 125, 250 OR 480 VAC 1/2A 125 VDC, 1/4A 250 VDC 1/8HP 125 VAC, 1/4HP 250 VAC	UNLESS OTHERWISE NOTED DIMENSIONS ARE IN INCHES
DIFFERENTIAL TRAVEL ----- .0008 - .0030	L288 L299 L306 CE Ⓣ Ⓢ 16A 250V ~ T85 5E4	<b>TOLERANCES ARE:</b> ONE PLACE (.0) ± .030 TWO PLACE (.00) ± .015 THREE PLACE (.000) ± .005 ANGLES ±
OVERTRAVEL ----- .060 MIN		WEIGHT .064 LB

**BZ-3RD-A2**  
 PAGE 1 OF 1  
**M**  
 DRAWING NUMBER  
**6**  
 ISSUE  
 REVISIONS  
 A C017410  
 B C H  
 15 MAY 63  
 B C0-73287-B  
 D H D  
 17 MAY 93  
 C C0-77589  
 K D R  
 29 MAR 94  
 D C093346  
 D L T  
 9 SEP 98  
 CHECK  
 L.S.D 17 JUN 63  
 CHECK  
 G C H 15 MAY 63  
 DRAWN  
 FORMTEK  
 FO-50376