

CATALOG LISTING  
 BZ-3AW82254T  
 PAGE 1 OF 1  
 ISSUE 1  
 REVISIONS  
 CHECK  
 CHECK  
 CHECK  
 CHECK  
 CHECK  
 CHECK  
 CHECK  
 CHECK  
 CHECK  
 CHECK  
 DRAWN  
 KDR 4 SEP 96  
 FORMTEK

X100801-BZ

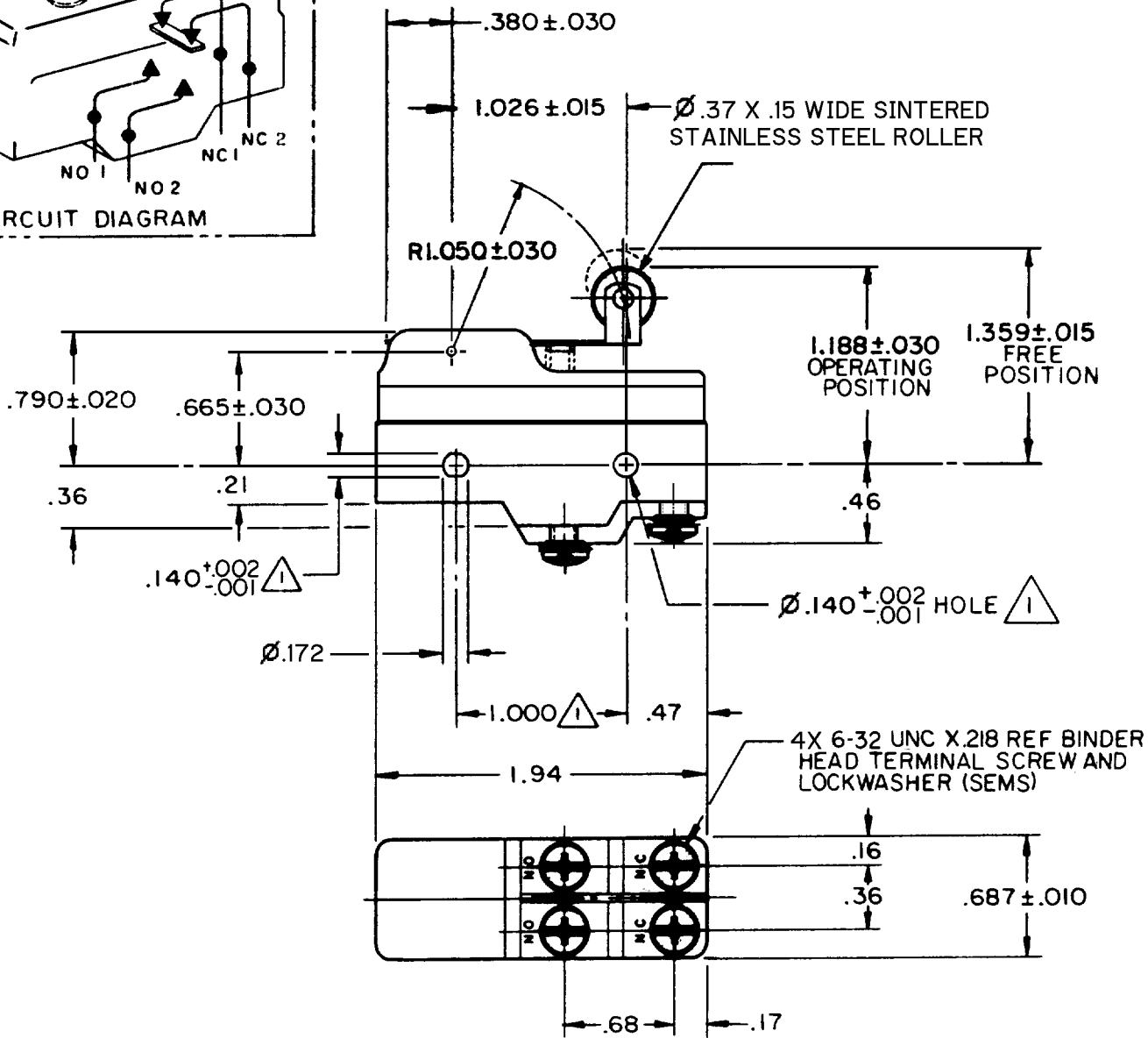
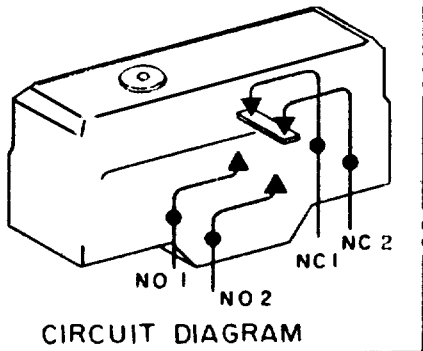
**MICRO SWITCH**  
a Honeywell Division

FED. MFG. CODE 81928

SWITCH - BASIC

CATALOG LISTING

**BZ-3AW82254T**



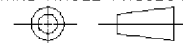
**NOTES**

- 1 MOUNTING HOLES WILL ACCEPT PINS OR SCREWS OF Ø .139 MAX ON 1.000 ± .002 CENTERS
- 2 - SUITABLE ONLY FOR APPLICATIONS IMPARTING A RAPID STROKE TO THE SWITCH PLUNGER

ANSI Y14.5M-1982 APPLIES

THIS DRAWING COVERS A PROPRIETARY ITEM AND IS THE PROPERTY OF MICRO SWITCH, A DIVISION OF HONEYWELL. THIS DRAWING IS NOT TO BE COPIED OR USED WITHOUT THE APPROVAL OF MICRO SWITCH.

THIRD ANGLE PROJECTION



<b>CHARACTERISTICS</b> OPERATING FORCE----- 8 1/2 OZ MAX RELEASE FORCE----- 1 1/2 OZ MIN DIFFERENTIAL TRAVEL---- .008-.050 OVERTRAVEL----- .094 MIN	<b>ELECTRICAL DATA</b> CONTACT ARRANGEMENT <b>SEE CIRCUIT DIAGRAM</b>	<b>SCALE FULL</b> <b>UNLESS OTHERWISE SPECIFIED TOLERANCES ARE</b> ONE PLACE ( .0 ) ± .030 TWO PLACE ( .00 ) ± .015 THREE PLACE ( .000 ) ± .005 ANGLES ±	<b>DO NOT SCALE PRINT</b>
	15A 125, 250 OR 480 VAC 1A 125 VDC, 0.5A 250 VDC 1/4 HP 125 VAC, 1/2 HP 250 VAC L73 	<b>WEIGHT</b>	