

MICRO SWITCH

FREERPORT ILLINOIS, U.S.A.
A DIVISION OF HONEYWELL
FED. MFG. CODE 91929

SWITCH - BASIC

CATALOG LISTING

BZ-2RW8405-A2

M BZ-2RW8405-A2

PAGE 1 OF 1

REPLACES X72350-BZ

DRAWING NUMBER

ISSUE

5

CHECK

REVISIONS

A	C063950	J A S	1 NOV 88
B	CO 73287-C	K D R	21 JUN 93
C	CO-76588	K D R	3 SEP 93
D	C093346	DLT	14 SEP 98

CHECK

MAY 81

C E B

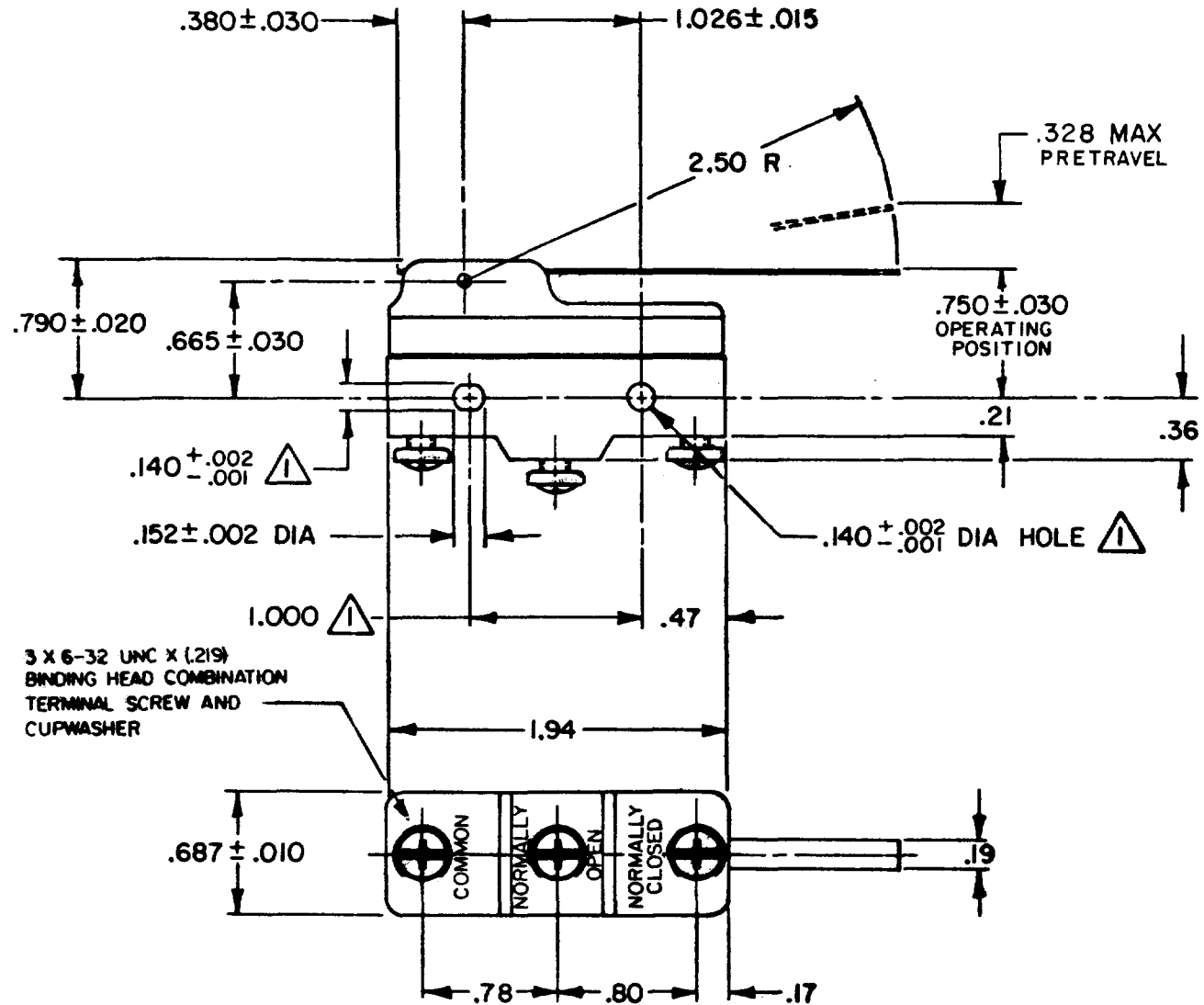
MAY 81

MAY 81

MAY 81

MAY 81

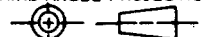
MAY 81



NOTE
 MOUNTING HOLES WILL ACCEPT PINS OR SCREWS OF .139 MAX DIA ON 1.000 ± .002 CENTERS

THIS DRAWING COVERS A PROPRIETARY ITEM AND IS THE PROPERTY OF MICRO SWITCH, A DIVISION OF HONEYWELL. THIS DRAWING IS NOT TO BE COPIED OR USED WITHOUT THE APPROVAL OF MICRO SWITCH.

THIRD ANGLE PROJECTION



CHARACTERISTICS

OPERATING FORCE ----- 1 OZ MAX
 RELEASE FORCE ----- 1/8 OZ MIN
 DIFFERENTIAL TRAVEL ----- .007 - .050
 OVERTRAVEL ----- .219 MIN

ELECTRICAL DATA

CONTACT ARRANGEMENT
 S P D T

UL LISTED-FILE E12252
 CODE L96 15A-125, 250 OR 480 VAC
 1/8 HP-125 VAC; 1/4 HP-250 VAC
 1/2 A-125 VDC; 1/4 A-250 VDC

L288
 L299
 L306

16A 250V T85 5E4

SCALE FULL

DO NOT SCALE PRINT

TOLERANCES
 APPLY TO DESIGN UNITS. CONVERSIONS ARE ONLY FOR REFERENCE. UNLESS NOTED, TOLERANCES ARE ±

	DIM.	TOL.	DIM.	TOL.
	mm	mm/in	in	mm/in
NO PLACES	X	17.04	X, X	0.01/03
ONE PLACE	X, X	0.47/016	X, XX	0.001/016
TWO PLACES	X, XX	0.10/1.000	X, XXX	0.13/1.000
THREE PLACES	X, XXX			
ANGLES				

DESIGN UNITS SI METRIC US CUSTOMARY

WEIGHT .073 LB.

FORMTEK
FO-52848-A
DRAWN

G J W 14 MAY 81