

**MICRO SWITCH**

A DIVISION OF HONEYWELL-INTERNATIONAL RELEASE COMPANY  
FED. MFR. CODE 91929

**SWITCH - BASIC**

CATALOG LISTING

**BZ-2RW828-A2**

(M) SKETCH 9932  
ISSUE 1

**M BZ-2RW828-A2**

PAGE 1 OF 1

DRAWING NUMBER

ISSUE 8

REPLACES

SR 4502

RELEASE NO.

10 MAY '55

CNT

CHECK

9 MAY '55

TEWL

CHECK

29 NOV '57

29 MAR '54

11 MAY '55

11 MAY '55

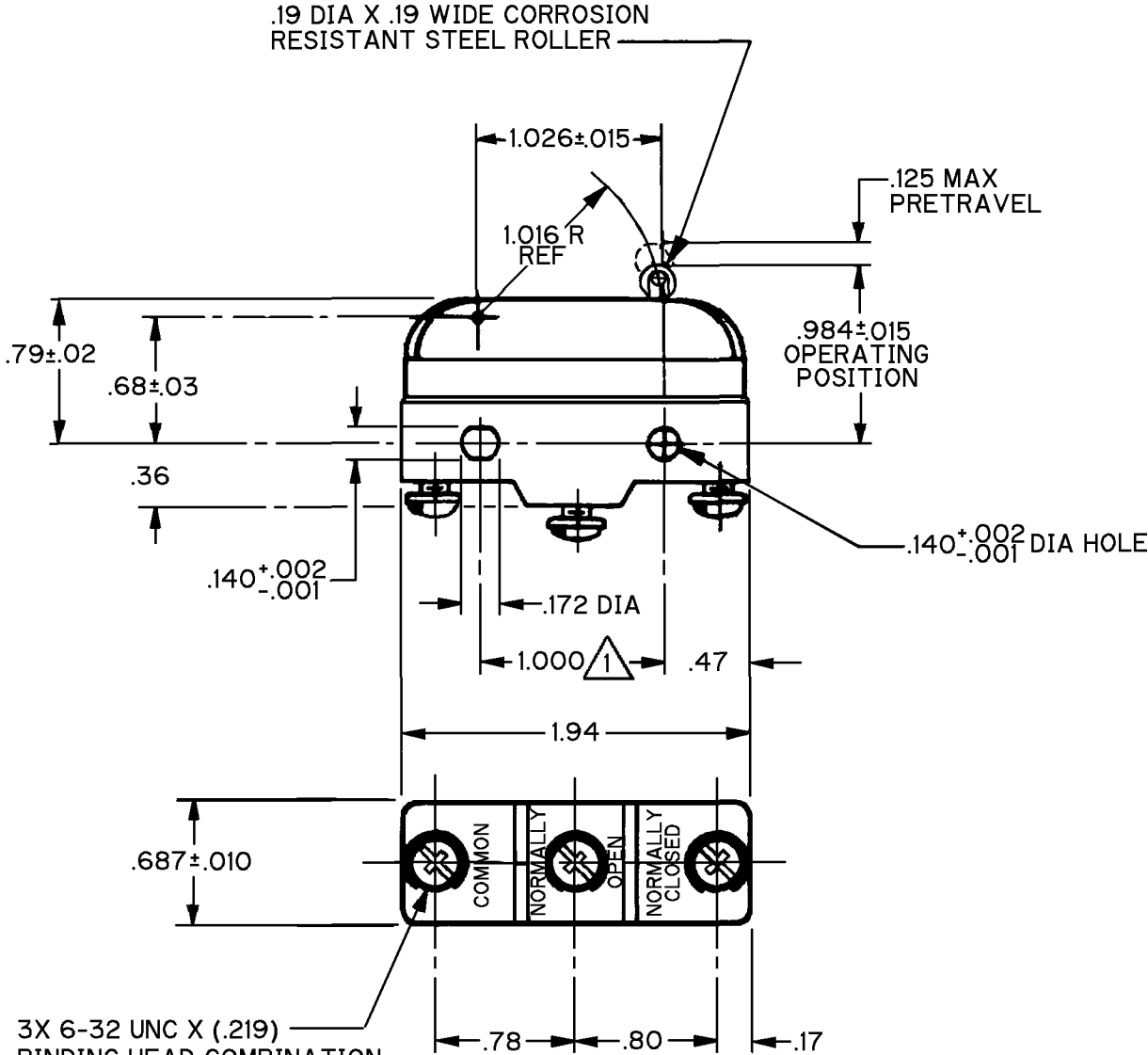
CHECK

11 MAY '55

FORMTEK

74-26

R. G. C. 5 MAY '55



NOTE  
 1 MOUNTING HOLES WILL ACCEPT PINS OR SCREWS OF .139 MAX DIA ON 1.000 ± .002 CENTERS

THIS DRAWING COVERS A PROPRIETARY ITEM AND IS THE PROPERTY OF MICRO SWITCH, A DIVISION OF HONEYWELL. THIS DRAWING IS NOT TO BE COPIED OR USED WITHOUT THE APPROVAL OF MICRO SWITCH.

CHARACTERISTICS	
OPERATING FORCE - - - - -	2 1/2 OZ MAX
RELEASE FORCE - - - - -	1/4 OZ MIN
DIFFERENTIAL TRAVEL - - - - -	.003 - .020
OVERTRAVEL - - - - -	.093 MIN

ELECTRICAL DATA	
CONTACT ARRANGEMENT S.P.D.T.	
L96 15A 125, 250 OR 480 VAC 1/2A 125 VDC, 1/4A 250 VDC 1/8HP 125 VAC, 1/4HP 250 VAC	
L288	
L299	
L306	
16A 250V ~ T85 5E4	

SCALE FULL		
DO NOT SCALE PRINT		
UNLESS OTHERWISE SPECIFIED		
DIMENSIONS ARE IN INCHES		
TOLERANCES ARE:		
ONE PLACE (.9)	±	2.000
TWO PLACE (.99)	±	2.015
THREE PLACE (.999)	±	2.000
ANGLES		±
WEIGHT .073 LB.		