

MICRO SWITCH

FREEPORT ILLINOIS U.S.A
A DIVISION OF HONEYWELL
FED. MFG. CODE 91929

SWITCH - BASIC

CATALOG LISTING

BZ-2RW82128-T

CATALOG LISTING
BZ-2RW82128-T

PAGE 1 OF 1

M

ISSUE
7

CHECK

REVISIONS

A	CO-52975	KAG	7 JUN 83
B	CO-59351-D	JWB	18 JUL 91
C	CO-75204B	KDR	1 FEB 94
D	CO-77585	TSM	29 MAR 94
E	CO92984	JAS	27 MAY 98
F	CO93346	DLT	17 SEP 98

CHECK

21 JAN 83

C.E.B.

FORMTEK

DRAWN

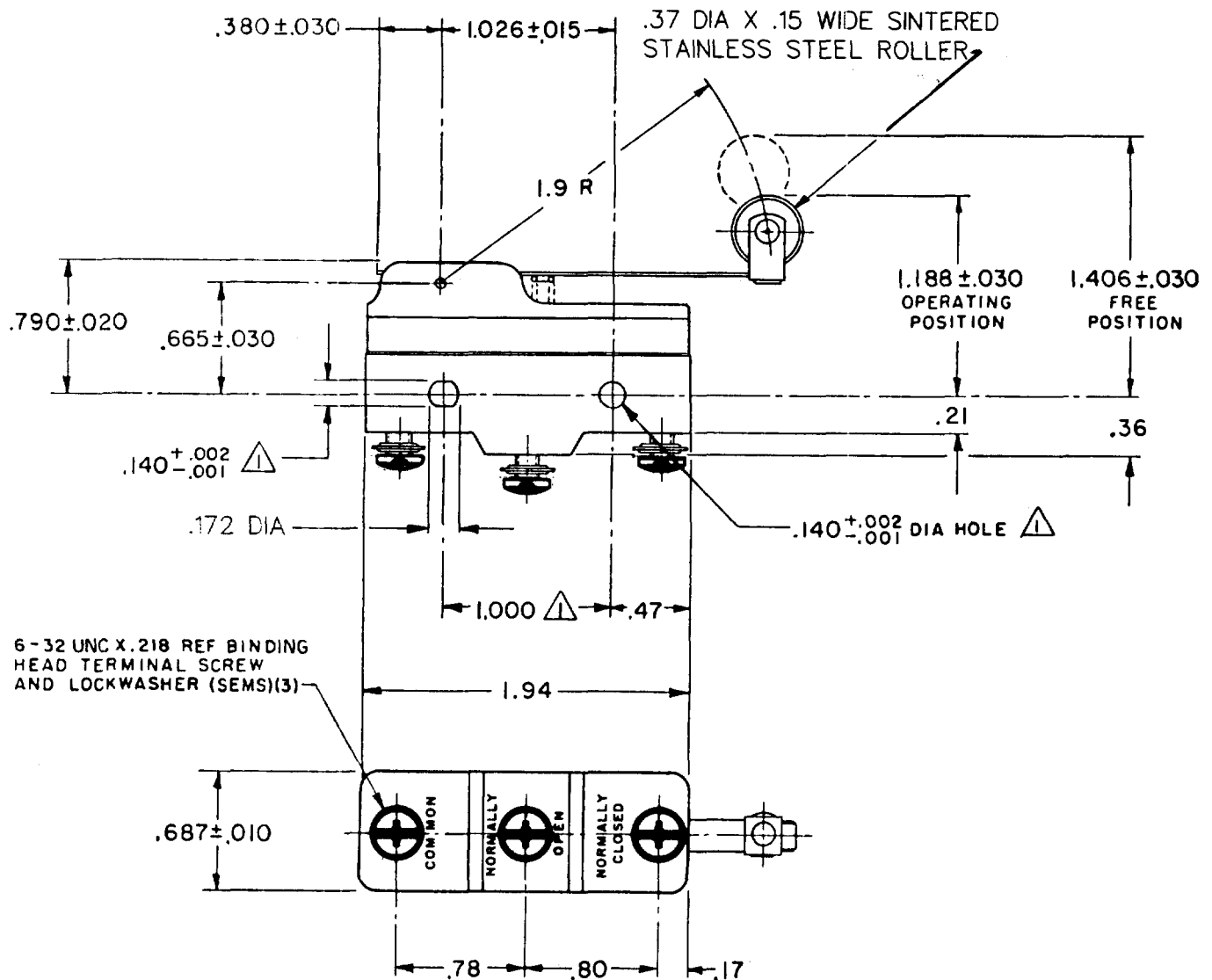
S L B

20 JAN 83

CHECK

REPLACES

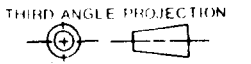
PR-11868



6-32 UNC X .218 REF BINDING HEAD TERMINAL SCREW AND LOCKWASHER (SEMS)(3)

NOTE
MOUNTING HOLES WILL ACCEPT PINS OR SCREWS OF .139 MAX DIA ON 1.000±.002 CENTERS

THIS DRAWING COVERS A PROPRIETARY ITEM AND IS THE PROPERTY OF MICRO SWITCH, A DIVISION OF HONEYWELL. THIS DRAWING IS NOT TO BE COPIED OR USED WITHOUT THE APPROVAL OF MICRO SWITCH.



CHARACTERISTICS OPERATING FORCE — — — 13 OZ MAX RELEASE FORCE — — — 4 OZ MIN DIFFERENTIAL TRAVEL — — .004-.040 OVERTRAVEL — — — .156 MIN	ELECTRICAL DATA CONTACT ARRANGEMENT S P D T CODE L96 15A-125, 250 OR 480 VAC 1/8 HP-125 VAC; 1/4 HP-250 VAC 1/2 A-125 VDC; 1/4 A-250 VDC L288 L299 L306	SCALE FULL DO NOT SCALE PRINT TOLERANCES APPLY TO DESIGN UNITS. CONVERSIONS ARE ONLY FOR REFERENCE. UNLESS NOTED, TOLERANCES ARE ±																								
	CE D RJ SR 16A 250V ~ T85 5E4	<table border="1"> <thead> <tr> <th>DIM.</th> <th>TOL.</th> <th>DIM.</th> <th>TOL.</th> </tr> <tr> <th>mm</th> <th>mm/in</th> <th>in</th> <th>mm/in</th> </tr> </thead> <tbody> <tr> <td>NO PLACES</td> <td>X</td> <td>1/04</td> <td></td> </tr> <tr> <td>ONE PLACE</td> <td>X,X</td> <td>0.4/016</td> <td>X X 0.8/03</td> </tr> <tr> <td>TWO PLACES</td> <td>X,XX</td> <td>0.15/006</td> <td>X XX 0.38/015</td> </tr> <tr> <td>THREE PLACES</td> <td>X,XXX</td> <td></td> <td>X XXX 0.13/008</td> </tr> </tbody> </table> DESIGN UNITS <input type="checkbox"/> SI METRIC <input type="checkbox"/> US CUSTOMARY	DIM.	TOL.	DIM.	TOL.	mm	mm/in	in	mm/in	NO PLACES	X	1/04		ONE PLACE	X,X	0.4/016	X X 0.8/03	TWO PLACES	X,XX	0.15/006	X XX 0.38/015	THREE PLACES	X,XXX		X XXX 0.13/008
DIM.	TOL.	DIM.	TOL.																							
mm	mm/in	in	mm/in																							
NO PLACES	X	1/04																								
ONE PLACE	X,X	0.4/016	X X 0.8/03																							
TWO PLACES	X,XX	0.15/006	X XX 0.38/015																							
THREE PLACES	X,XXX		X XXX 0.13/008																							