

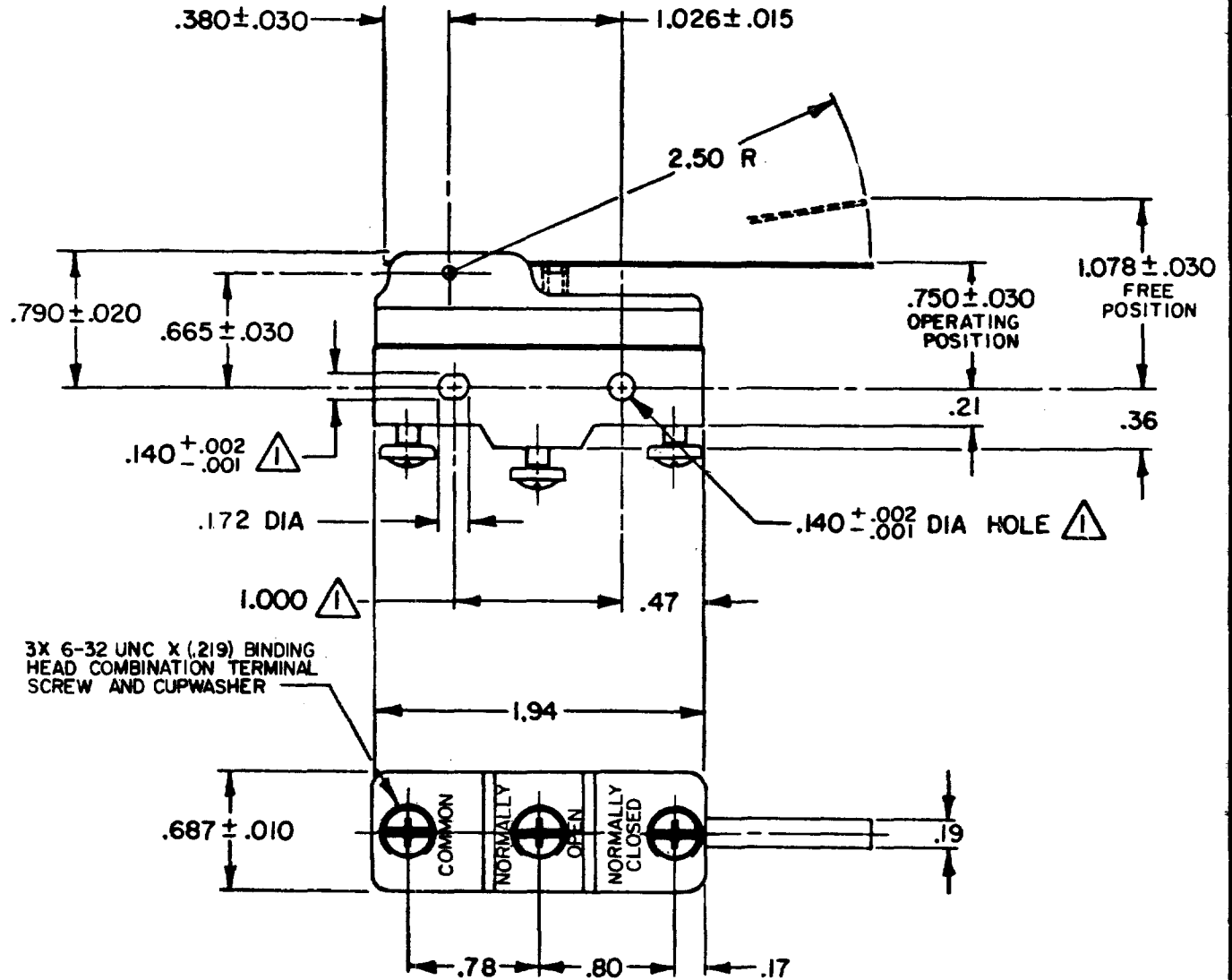
# MICRO SWITCH

FREEPORT ILLINOIS, U.S.A  
A DIVISION OF HONEYWELL  
FED. MFG. CODE 91929

## SWITCH - BASIC

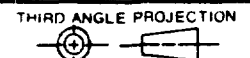
CATALOG LISTING

BZ-2RW80233-A2



NOTE  
 ⚠ - MOUNTING HOLES WILL ACCEPT PINS OR SCREWS  
 OF .139 MAX DIA ON 1.000±.002 CENTERS

THIS DRAWING COVERS A PROPRIETARY ITEM AND IS THE PROPERTY OF MICRO SWITCH, A DIVISION OF HONEYWELL. THIS DRAWING IS NOT TO BE COPIED OR USED WITHOUT THE APPROVAL OF MICRO SWITCH.



CHARACTERISTICS	
OPERATING FORCE	--- 2 1/2 OZ MAX
RELEASE FORCE	----- 1/2 OZ MIN
DIFFERENTIAL TRAVEL	----- .007-.050
OVERTRAVEL	----- .219 MIN

ELECTRICAL DATA	
CONTACT ARRANGEMENT S P D T	
UL LISTED - FILE E12252	
CODE L35	5A-125, 250 OR 480 VAC 1/2A-125 VDC; 1/4A-250 VDC
L288	Ⓢ Ⓢ

SCALE FULL			
DO NOT SCALE PRINT			
TOLERANCES			
APPLY TO DESIGN UNITS. CONVERSIONS ARE ONLY FOR REFERENCE. UNLESS NOTED, TOLERANCES ARE ±			
DIM.	TOL.	DIM.	TOL.
IN	mm/in	IN	mm/in
NO PLACES	X	1/64	0.81/03
ONE PLACE	X,X	0.01/016	X,X 0.39/015
TWO PLACES	X,XX	0.001/008	X,XX 0.39/015
THREE PLACES	X,XXX	0.0001/0008	X,XXX 0.13/005
ANGLES			
SI METRIC		US CUSTOMARY	
DESIGN UNITS	<input type="checkbox"/>	<input checked="" type="checkbox"/>	

WEIGHT .073 LB

FORMTEK  
 FO-52948-A  
 DRAWN  
 G J W  
 4 APR 81  
 CHECK  
 C E B  
 7 APR 81  
 CHECK  
 M BZ-2RW80233-A2  
 PAGE 1 OF 1  
 REPLACES X 72311 - BZ  
 RELEASE NO. PR-10060  
 DRAWING NUMBER  
 ISSUE  
 4  
 REVISIONS  
 A CO-73287-9  
 D H D  
 19 MAY 93  
 B CO-77589  
 MAM  
 29 MAR 94  
 C CO93346  
 D L T  
 28 AUG 98