



MICRO SWITCH
 FREEPORT, ILLINOIS, U.S.A.
 A DIVISION OF HONEYWELL
 FED. MFG. CODE 91929

SWITCH - BASIC

CATALOG LISTING

BZ-2RW53-A2

BZ-2RW53-A2

PAGE 1 OF 1

DRAWING NUMBER

ISSUE

7

REPLACES

RELEASE NO.

CHECK

REVISIONS	
A	CO17410 OMW 23 DEC 63
B	CO- 73270 JWB 24 SEP 92
C	CO- 73287-D KDR 8 JULY 93
D	CO- 77589 MAM 28 MAR 94
E	CO93346 DLT 11 SEP 98

CHECK

23 DEC 63

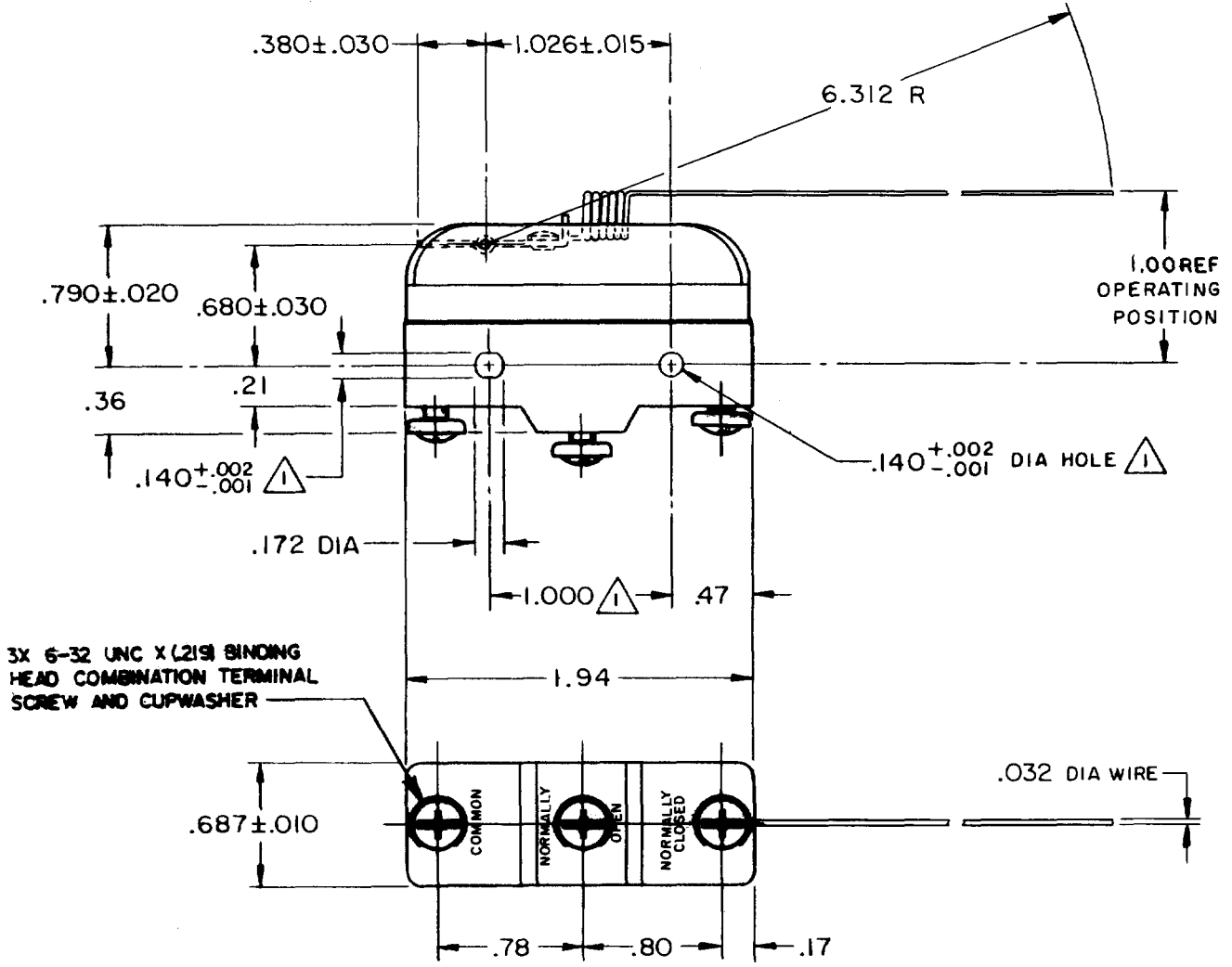
DAW

CHECK

OMW 23 DEC 63

FORMTEK
FO-50376

DRAWN



NOTES
 Δ MOUNTING HOLES WILL ACCEPT PINS OR SCREWS OF $.139$ MAX DIA ON $1.000 \pm .002$ CENTERS

THIS DRAWING COVERS A PROPRIETARY ITEM AND IS THE PROPERTY OF MICRO SWITCH, A DIVISION OF MINNEAPOLIS-HONEYWELL REGULATOR CO. THIS DRAWING IS NOT TO BE COPIED OR USED WITHOUT THE APPROVAL OF MICRO SWITCH.

CHARACTERISTICS	ELECTRICAL DATA	SCALE FULL
	CONTACT ARRANGEMENT S P D T	DO NOT SCALE PRINT
	UNDERWRITERS' LAB. INC. LISTED RATING -L96- 15 A-125, 250, OR 480 VAC 1/2 A-125 VDC; 1/4 A-250 VDC 1/8 HP-125 VAC, 1/4 HP-250 VAC	UNLESS OTHERWISE NOTED DIMENSIONS ARE IN INCHES TOLERANCES ARE: ONE PLACE (.0) $\pm .030$ TWO PLACE (.00) $\pm .015$ THREE PLACE (.000) $\pm .005$ ANGLES \pm
	-L288- -L299- -L306- 16A 250V \sim T85 5E4	WEIGHT