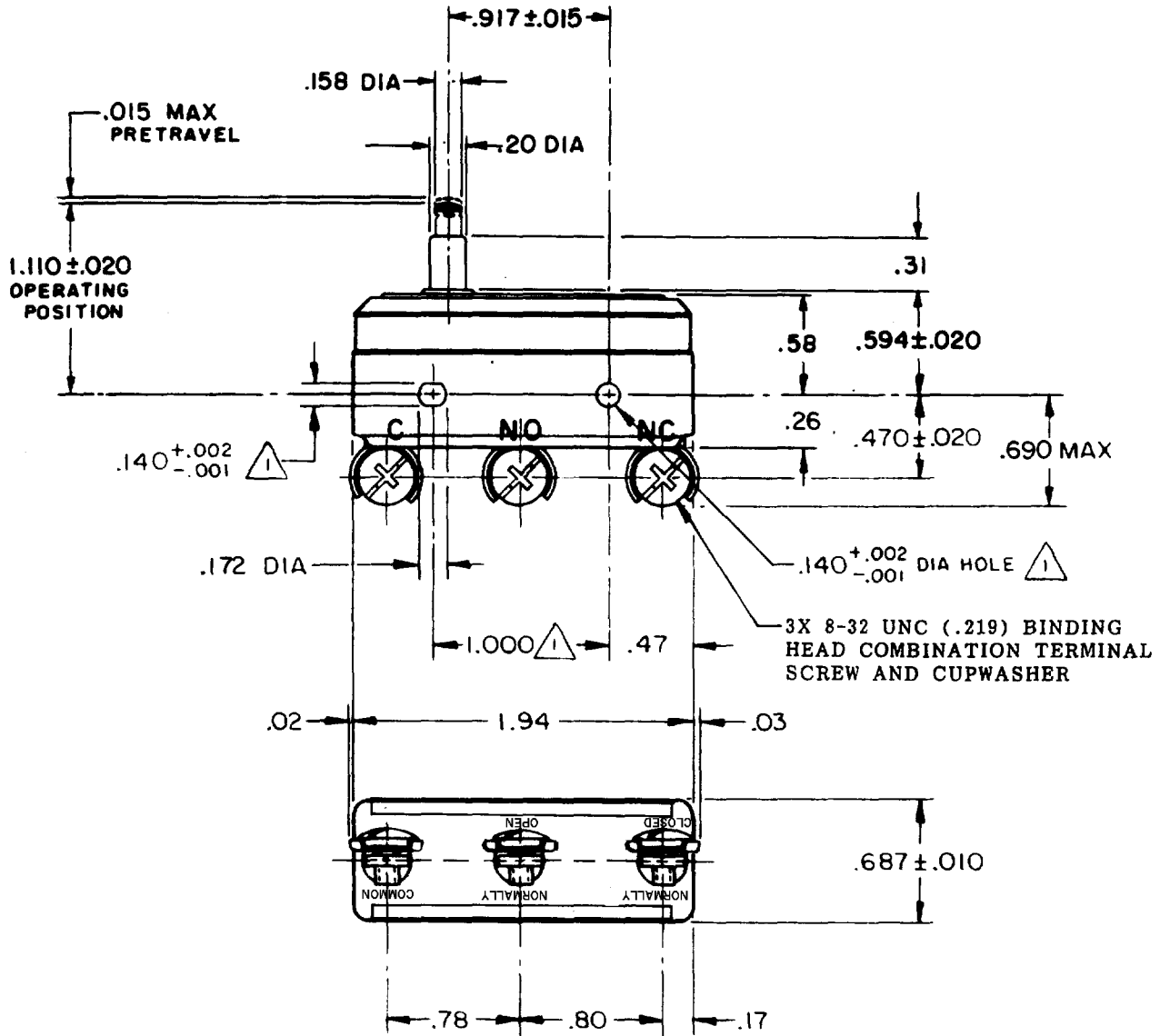




MICRO SWITCH
 FREEPORT ILLINOIS
 A DIVISION OF HONEYWELL
 FED. MFG. CODE 91929

SWITCH - BASIC

CATALOG LISTING
BZ-2RS-P4



NOTE
 MOUNTING HOLES WILL ACCEPT PINS OR SCREWS
 OF .139 MAX DIA ON 1.000 ± .002 CENTERS

THIS DRAWING COVERS A PROPRIETARY ITEM AND IS THE PROPERTY OF MICRO SWITCH, A DIVISION OF MINNEAPOLIS-HONEYWELL REGULATOR CO. THIS DRAWING IS NOT TO BE COPIED OR USED WITHOUT THE APPROVAL OF MICRO SWITCH.

CHARACTERISTICS	ELECTRICAL DATA	SCALE FULL
OPERATING FORCE ----- 9-13 OZ	CONTACT ARRANGEMENT S P D T	DO NOT SCALE PRINT
RELEASE FORCE ----- 4 OZ MIN	UL LISTED-FILE E12252 CODE L96 15A-125, 250 OR 480 VAC 1/8 HP-125 VAC; 1/4 HP-250 VAC 1/2 A-125 VDC; 1/4 A-250 VDC L288 L299 16A 250V ~ T85 5E4 L306	UNLESS OTHERWISE SPECIFIED DIMENSIONS ARE IN INCHES TOLERANCES ARE:
DIFFERENTIAL TRAVEL ----- .0004-.0020		ONE PLACE (.0) ±.030 TWO PLACE (.00) ±.015 THREE PLACE (.000) ±.005 ANGLES ±
OVERTRAVEL ----- .062 MIN		WEIGHT .075 LB

FORMTEK
 FO-50376
 DRAWN
 G C H 23 FEB 63
 CHECK
 DAW
 S, M, A, R, G, S
 CHECK
 3 MAR 94
 E CO-77863
 6 J W
 6 MAY 96
 F C093346
 DLT
 11 SEP 98
 ISSUE
 7
 DRAWING NUMBER
 M
 BZ-2RS-P4
 PAGE 1 OF 1
 REVISIONS
 A C016851
 8 C H
 23 FEB 63
 B C04456
 S J S
 20 APR 78
 C CO-73287-G
 J A T
 20 OCT 93
 D CO-75367B
 L J F
 3 MAR 94
 E CO-77863
 6 J W
 6 MAY 96
 F C093346
 DLT
 11 SEP 98
 REPLACES
 BZ-2RS-P4
 PAGE 1 OF 1
 RELEASE NO.