

MICRO SWITCH

FREEMONT ILLINOIS, U S A
 A DIVISION OF HONEYWELL
 FED. MFG. CODE 91929

SWITCH - BASIC

CATALOG LISTING

BZ-2RQ124-D6

BZ-2RQ124-D6

PAGE 1 OF 1

M

REPLACES

RELEASE NO. PR-8359

DRAWING NUMBER

5

ISSUE

CHECK

REVISIONS

A	CO 77588	MAM 29 MAR 94
B	CO 80938	DLT 7 JUN 95
C	CO-82133	CSL 30 JUL 96
D	C093346	DLT 10 SEP 98

CHECK

31 DEC 79

CHECK

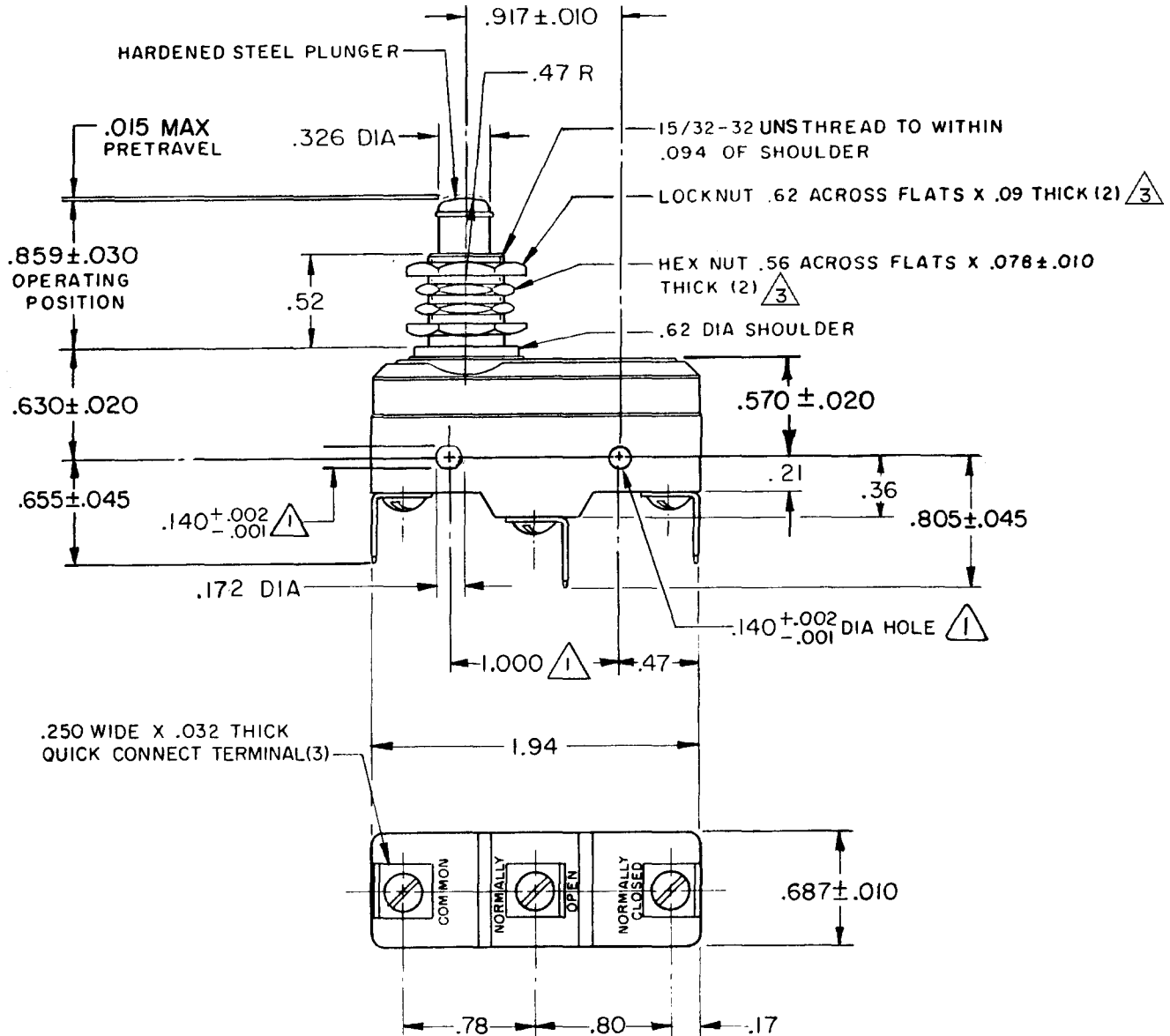
28 DEC 79

WJM

FORMTEK

FO-52848-A

DRAWN

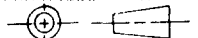


NOTES

- ① MOUNTING HOLES WILL ACCEPT PINS OR SCREWS OF $.139$ MAX DIA ON $1.000 \pm .002$ CENTERS
- ② SWITCH WILL WITHSTAND TEMPERATURE OF $250^{\circ} F$
- ③ HARDWARE FURNISHED UNASSEMBLED

THIS DRAWING COVERS A PROPRIETARY ITEM AND IS THE PROPERTY OF MICRO SWITCH, A DIVISION OF HONEYWELL. THIS DRAWING IS NOT TO BE COPIED OR USED WITHOUT THE APPROVAL OF MICRO SWITCH.

THIRD ANGLE PROJECTION



CHARACTERISTICS

OPERATING FORCE ----- 9-13 OZ
 RELEASE FORCE ----- 4 OZ MIN
 DIFFERENTIAL TRAVEL -- .0004 - .0020
 OVERTRAVEL ----- .219 MIN

ELECTRICAL DATA

CONTACT ARRANGEMENT
 S P D T

UL LISTED-FILE E12252
 CODE L96 15A-125, 250 OR 480 VAC
 1/8 HP-125 VAC; 1/4 HP-250 VAC
 1/2 A-125 VDC; 1/4 A-250 VDC

L288 CE D SP
 L299
 L306 16A 250V T85 5E4

SCALE FULL

DO NOT SCALE PRINT

TOLERANCES

APPLY TO DESIGN UNITS. CONVERSIONS ARE ONLY FOR REFERENCE. UNLESS NOTED, TOLERANCES ARE \pm

DIM.	TOL.	DIM.	TOL.
mm	mm/in	in	mm/in
NO PLACES	X	1/04	
ONE PLACE	X,X	0.47/016	X X 0.87/03
TWO PLACES	X,X,X	0.157/006	X X X 0.387/015
THREE PLACES	X,X,X,X		X X X X 0.137/005
ANGLES			

DESIGN UNITS METRIC US CUSTOMARY

WEIGHT .094 LB