

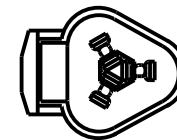
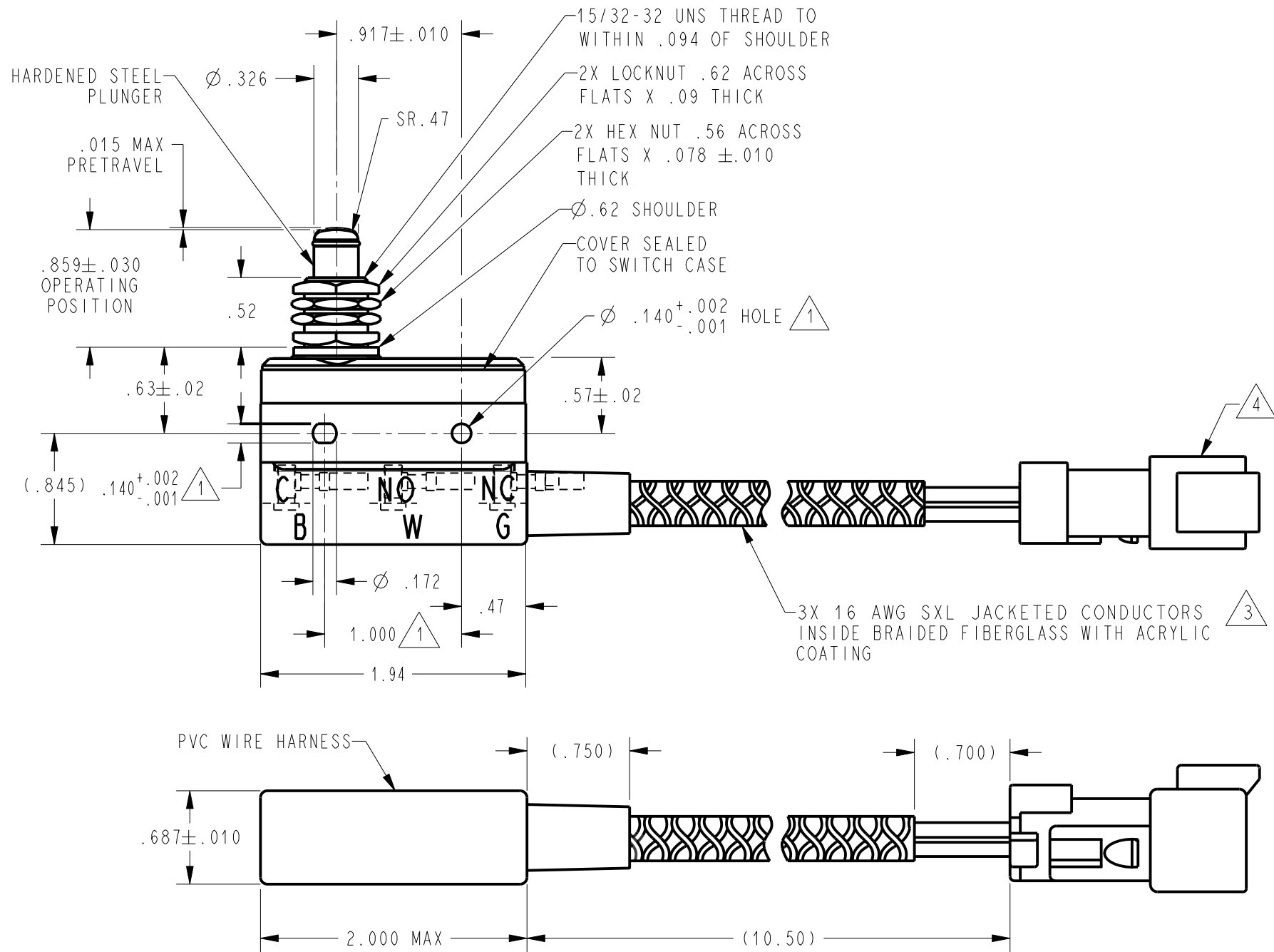
MICRO SWITCH
a Honeywell Division

FED. MFG. CODE 91929

SWITCH-BASIC

BZ-2RQ1016-W119

CATALOG LISTING



CATALOG LISTING
BZ-2RQ1016-W119

PAGE 1 OF 1

ISSUE **B**

REVISIONS
A 0001068
JAH
4 AUG 03

CHECK

21 JUL 03

SAV

CHECK

21 JUL 03

PTC/CAD 2D

TRF

REPLACES X114406-BZ

RELEASE NO. 0000924

CHECK

CHECK

SAV

CHECK

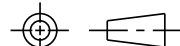
21 JUL 03

PTC/CAD 2D

TRF

THIS DRAWING COVERS A PROPRIETARY ITEM AND IS THE PROPERTY OF MICRO SWITCH, A DIVISION OF HONEYWELL. THIS DRAWING IS NOT TO BE COPIED OR USED WITHOUT THE APPROVAL OF MICRO SWITCH

THIRD ANGLE PROJECTION



CHARACTERISTICS

ELECTRICAL DATA

SCALE FULL

OPERATING FORCE -----9-13 OZ

CONTACT ARRANGEMENT
S P D T

DO NOT SCALE PRINT

RELEASE FORCE ----- 4 OZ MIN

UNLESS OTHERWISE SPECIFIED TOLERANCES ARE

DIFFERENTIAL TRAVEL ----- .0004-.0020

ONE PLACE (.0) ±.030

TWO PLACE (.00) ±.015

THREE PLACE (.000) ±.005

ANGLES ±

OVERTRAVEL ----- .219 MIN

WEIGHT

ANSI Y14.5M-1982 APPLIES

NOTES

- 1 MOUNTING HOLES WILL ACCEPT PINS OR SCREWS OF Ø.139 MAX ON 1.000 ±.002 CENTERS
- 2 - SEALED CONSTRUCTION PROVIDES SPLASH RESISTANCE
- 3 PIN A (BLACK WIRE) COMMON TERMINAL
PIN B (WHITE WIRE) NORMALLY OPEN TERMINAL
PIN C (GREEN WIRE) NORMALLY CLOSED TERMINAL
- 4 DUETSCH CONNECTOR CONSISTING OF:
THREE PIN RECEPTACLE - DT04-3P-E005
RECEPTACLE EDGE - W3P-P004
3X PIN CONTACTS - 0460-202-16141