

MICRO SWITCH
a Honeywell Division

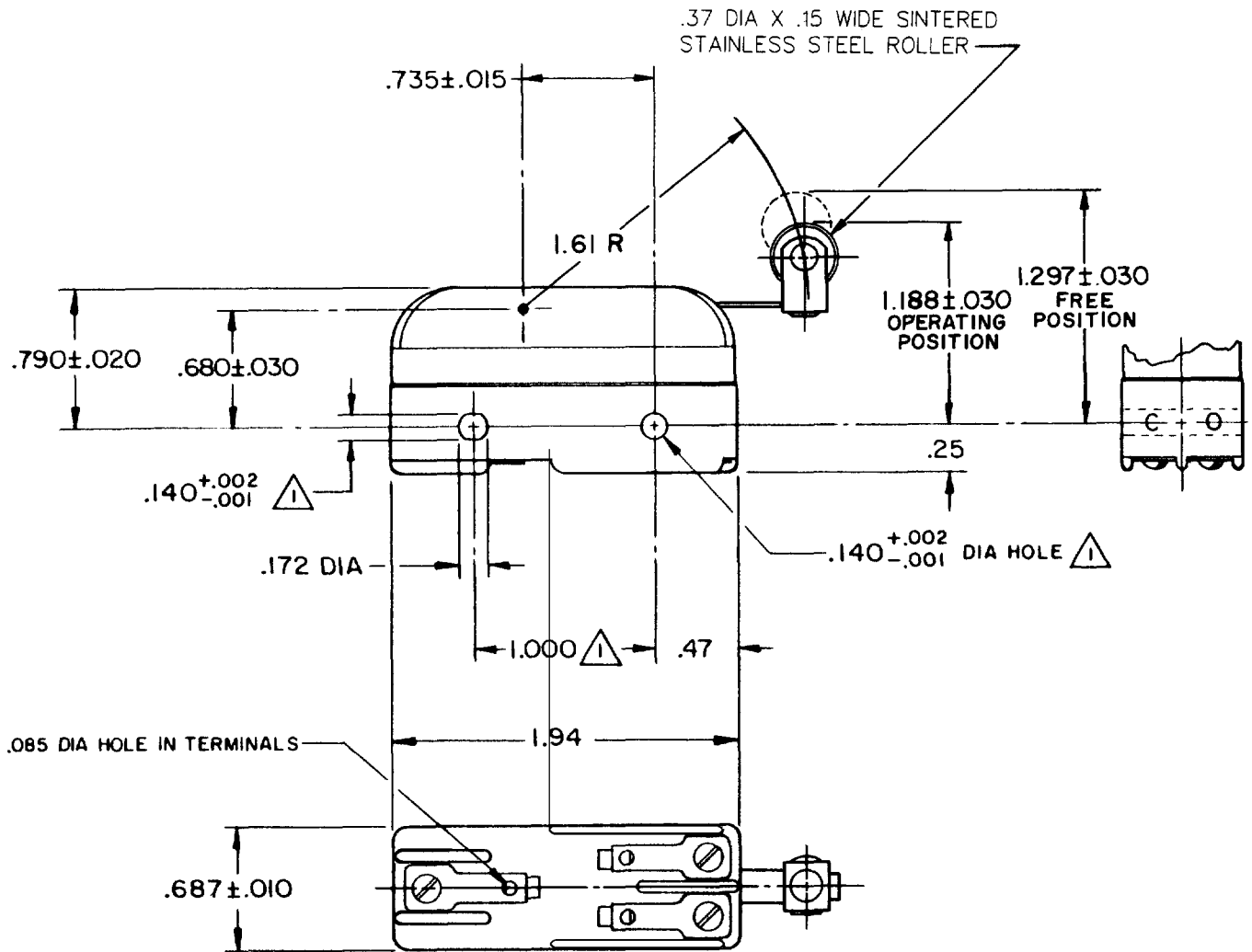
FED. MFG. CODE 91929

SWITCH-BASIC

CATALOG LISTING

BZ-2RM2

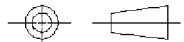
CATALOG LISTING
BZ-2RM2
PAGE 1 OF 1
ISSUE **11**



NOTE
MOUNTING HOLES WILL ACCEPT PINS OR SCREWS
OF .139 MAX DIA ON 1.000±.002 CENTERS

THIS DRAWING COVERS A PROPRIETARY ITEM AND IS THE PROPERTY OF MICRO SWITCH, A DIVISION OF HONEYWELL. THIS DRAWING IS NOT TO BE COPIED OR USED WITHOUT THE APPROVAL OF MICRO SWITCH.

THIRD ANGLE PROJECTION



CHARACTERISTICS	
OPERATING FORCE	8 1/2 OZ MAX
RELEASE FORCE	2 OZ MIN
PRETRAVEL	.172 MAX
DIFFERENTIAL TRAVEL	.003-.025
OVERTRAVEL	.156 MIN

ELECTRICAL DATA	
CONTACT ARRANGEMENT S P D T	
UNDERWRITERS' LAB. INC. LISTED RATING	
-L96-	15 A-125, 250, OR 400 VAC
	1/2 A-125 VDC; 1/4 A-250 VDC
	1/8 HP-125 VAC; 1/4 HP-250 VAC
-L288-	
-L299-	
-L306-	
	16A 250V ~ T85 5E4

SCALE	FULL	DO NOT SCALE PRINT
UNLESS OTHERWISE SPECIFIED TOLERANCES ARE		
ONE PLACE	(.0)	±.030
TWO PLACE	(.00)	±.015
THREE PLACE	(.000)	±.005
ANGLES		±

WEIGHT **.066 LB**

REVISIONS:

A	CO17410	LEB	17 SEPT 63
B	CO-75204B	TSM	1 FEB 94
C	CO-77591	DAW	22 JUN 94
D	CO93346	DLT	10 SEP 98
E	CO-94212-L	DLM	9 FEB 00

FORMTEK
DRAWN
L E B 17 SEPT 63
CHECK
DAW
CHECK
26 SEPT 63