

MICRO SWITCH
a Honeywell Division

FED. MF6. CODE 91929

SWITCH-BASIC

CATALOG LISTING

BZ-2RL204

M8805/I-035

CATALOG LISTING
BZ-2RL204
PAGE 1 OF 1
M
ISSUE
15

REPLACES

RELEASE NO.

CHECK

REVISIONS

A	CO22575	M B F	3 JAN 68
B	CO 22575	G F S	8 AUG 68
C	CO 52433	W J M	14 DEC 82
D	CO 74330F	T S M	23 NOV 93
E	CO-94212-L	D L M	9 FEB 00

CHECK

CHECK

CHECK

CHECK

CHECK

CHECK

CHECK

CHECK

CHECK

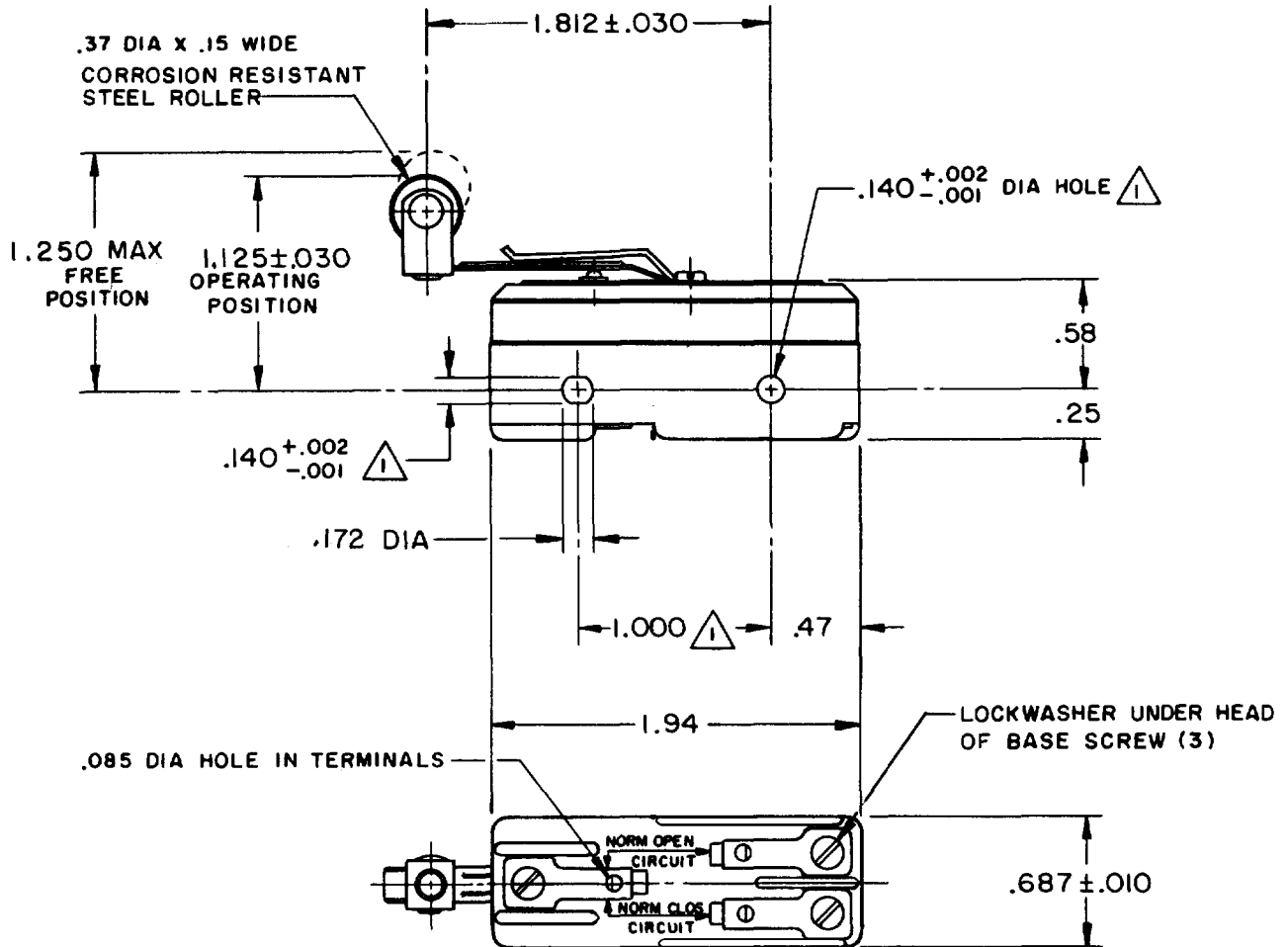
CHECK

CHECK

CHECK

CHECK

CHECK



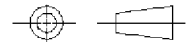
NOTE-



MOUNTING HOLES WILL ACCEPT PINS OR SCREWS OF .139 MAX DIA ON 1.000 ± .002 CENTERS

THIS DRAWING COVERS A PROPRIETARY ITEM AND IS THE PROPERTY OF MICRO SWITCH, A DIVISION OF HONEYWELL. THIS DRAWING IS NOT TO BE COPIED OR USED WITHOUT THE APPROVAL OF MICRO SWITCH.

THIRD ANGLE PROJECTION



CHARACTERISTICS

OPERATING FORCE - - - - **6 OZ MAX**
DIFFERENTIAL FORCE
RELEASE FORCE - - - - **0.5 OZ MIN**
PRETRAVEL - - - - - **.156 MAX**
DIFFERENTIAL TRAVEL - - **.050 MAX**
OVERTRAVEL - - - - - **.060**
FREE POSITION

ELECTRICAL DATA

CONTACT ARRANGEMENT
S P D T

SCALE FULL

DO NOT SCALE PRINT

UNLESS OTHERWISE SPECIFIED TOLERANCES ARE
ONE PLACE (.0) ±.030
TWO PLACE (.00) ±.015
THREE PLACE (.000) ±.005
ANGLES ±

WEIGHT **.060 LB**

FORMTEK
DRAWN

CHECK

CHECK

CHECK