

MICRO SWITCH
a Honeywell Division

SWITCH - BASIC

FED. MFG. CODE 91 929

CATALOG LISTING
BZ-2RD42-P4
PAGE 1 OF 1
M
ISSUE 3

X99452-BZ

REPLACES
RELEASE NO. PR-21729

CHECK

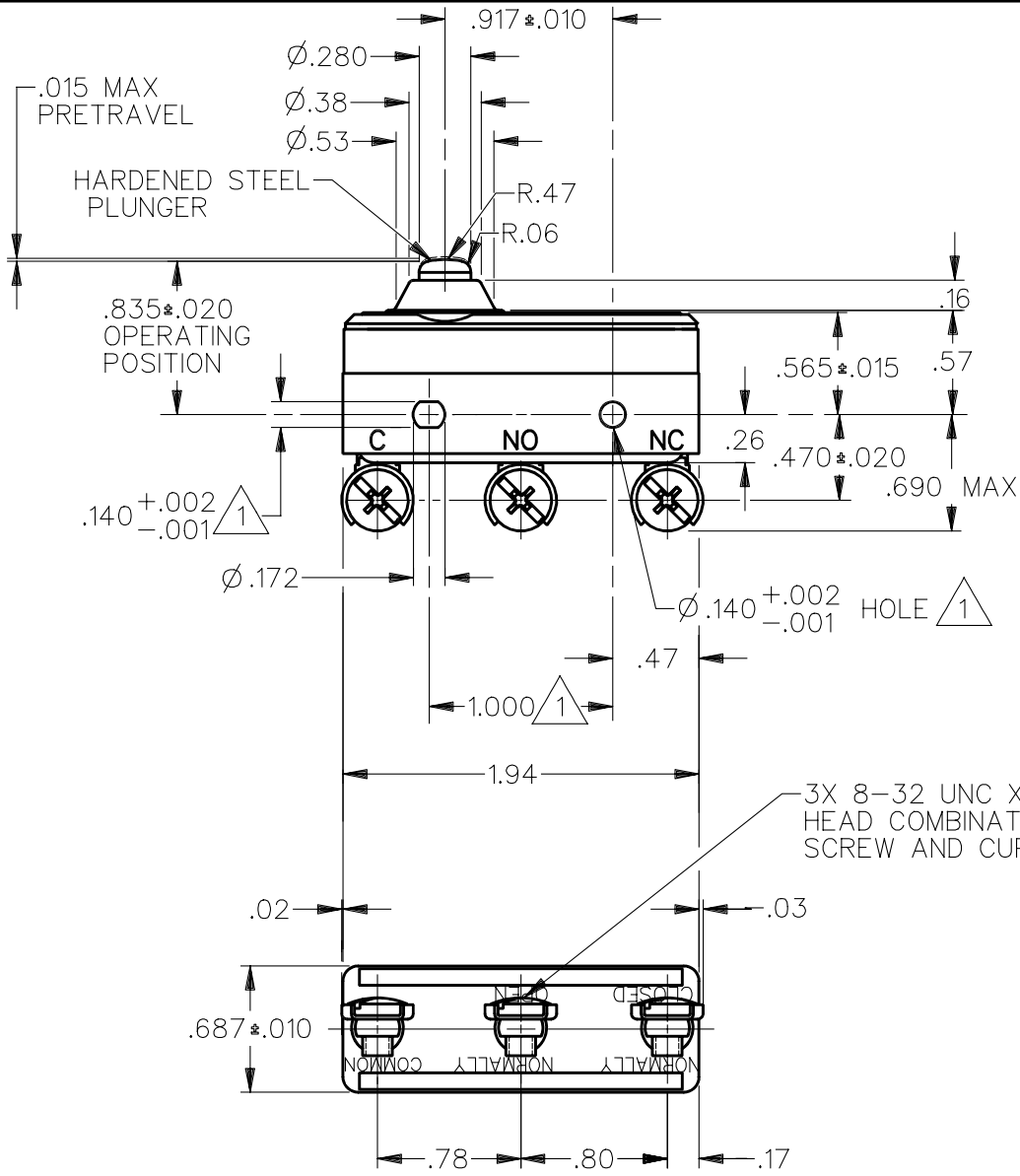
REVISIONS

A	C077863	G J W	3 MAY 96
B	C093346	D L T	8 SEP 98

CHECK
28 JUN 95

T S M

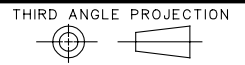
CHECK
27 JUN 95
DRAWN
JJA



NOTES
1 MOUNTING HOLES WILL ACCEPT PINS OR SCREWS OF Ø.139 MAX ON 1.000 ± .002 CENTERS

ANSI Y14.5M-1982 APPLIES

THIS DRAWING COVERS A PROPRIETARY ITEM AND IS THE PROPERTY OF MICRO SWITCH, A DIVISION OF HONEYWELL. THIS DRAWING IS NOT TO BE COPIED OR USED WITHOUT THE APPROVAL OF MICRO SWITCH.



CHARACTERISTICS	ELECTRICAL DATA	SCALE FULL	DO NOT SCALE PRINT
OPERATING FORCE - - - - - 9-13 OZ	CONTACT ARRANGEMENT S P D T	UNLESS OTHERWISE SPECIFIED TOLERANCES ARE ONE PLACE (.0) ± .030 TWO PLACE (.00) ± .015 THREE PLACE (.000) ± .005 ANGLES ± WEIGHT .076 LB	
RELEASE FORCE - - - - - 4 OZ MIN	L96 15A 125, 250 OR 480 VAC 1/8HP 125 VAC, 1/4HP 250 VAC 1/2A 125 VDC, 1/4A 250 VDC		
DIFFERENTIAL TRAVEL -.0004-.0020	L288 L299 L306		
OVERTRAVEL - - - - - .060 MIN	CE D UL		
	16A 250V ~ T85 5E4		