



**MICRO SWITCH**  
 FREEPORT, ILLINOIS, U.S.A.  
 A DIVISION OF HONEYWELL

FED. MFG. CODE 91929

**SWITCH - BASIC**

CATALOG LISTING

**BZ - 2RD244T1**

**BZ - 2RD244T1**  
 PAGE 1 OF 1

**M**

DRAWING NUMBER

ISSUE 10

REVISIONS

A	C080986	JALA	26 JUN 95
B	C093346	DLT	28 AUG 98

REPLACES

RELEASE NO. PR-3599

CHECK

CHECK

27, MAY '63

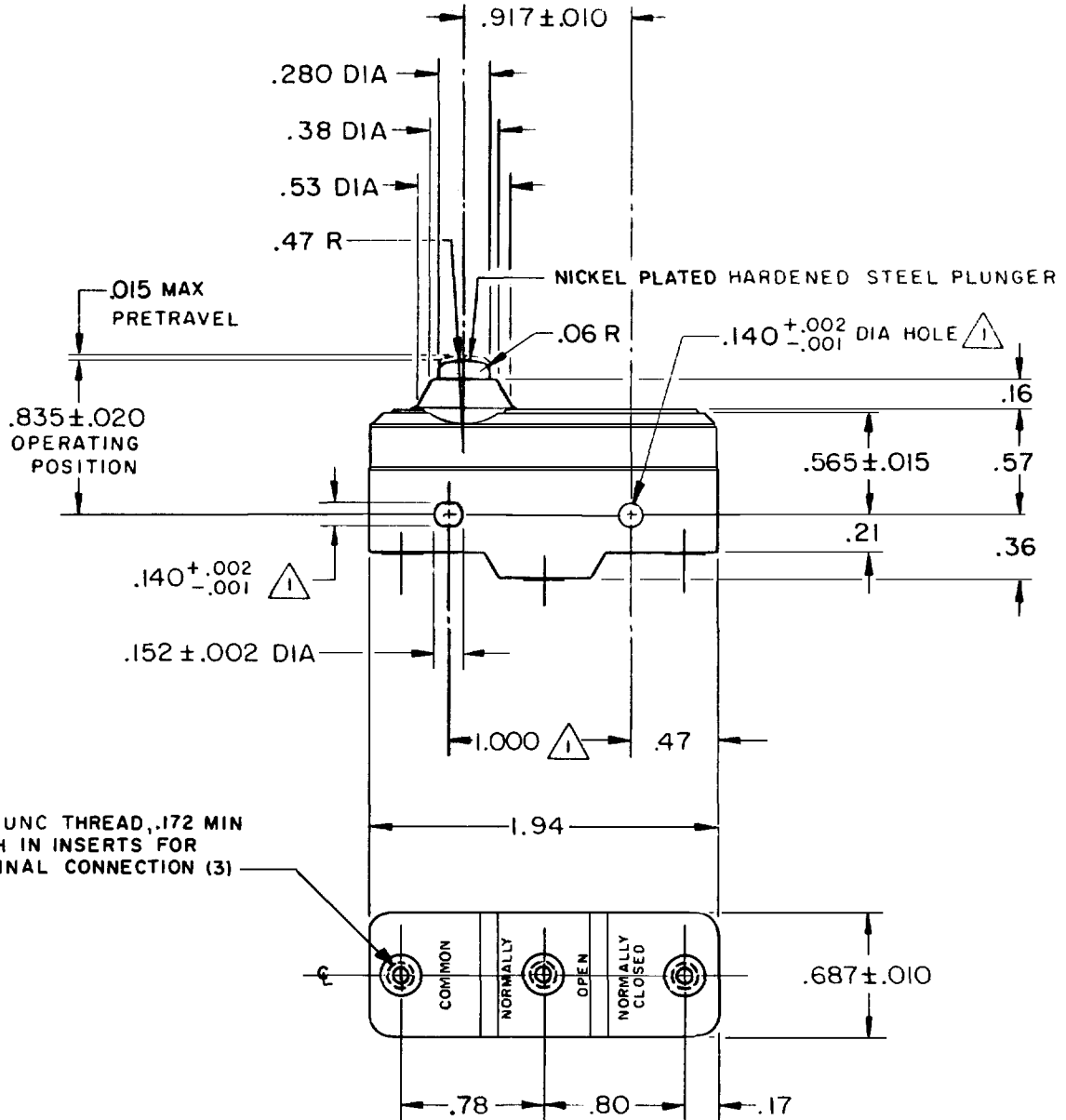
CHECK

63

MAY 16

D

FORMTEK



6-32 UNC THREAD, .172 MIN DEPTH IN INSERTS FOR TERMINAL CONNECTION (3)

NOTES

- ▲ MOUNTING HOLES WILL ACCEPT PINS OR SCREWS OF .139 MAX DIA ON 1.000 ± .002 CENTERS
- 2 - 6-32 UNC X .218 REF BINDER HEAD TERMINAL SCREW AND WASHER (SEMS) FURNISHED UNASSEMBLED (3)
- 3 - SWITCH WILL WITHSTAND TEMPERATURE OF 400°F FOR 100 HOURS

THIS DRAWING COVERS A PROPRIETARY ITEM AND IS THE PROPERTY OF MICRO SWITCH, A DIVISION OF MINNEAPOLIS-HONEYWELL REGULATOR CO. THIS DRAWING IS NOT TO BE COPIED OR USED WITHOUT THE APPROVAL OF MICRO SWITCH.

CHARACTERISTICS

OPERATING FORCE	9-13 OZ
RELEASE FORCE	4 OZ MIN
DIFFERENTIAL TRAVEL	.0004-.0020
OVERTRAVEL	.062 MIN

ELECTRICAL DATA

CONTACT ARRANGEMENT	S P D T
UNDERWRITERS' LAB. INC. LISTED RATING	5 A-125, 250 OR 480 VAC
-L35-	1/2 A-125 VDC; 1/4 A-250 VDC
-L288-	CE SP

SCALE FULL

DO NOT SCALE PRINT

UNLESS OTHERWISE NOTED

DIMENSIONS ARE IN INCHES

TOLERANCES ARE:

ONE PLACE	(.0)	± .030
TWO PLACE	(.00)	± .015
THREE PLACE	(.000)	± .005
ANGLES		±

WEIGHT .064 LB