

MICRO SWITCH

FREERPORT ILLINOIS, U.S.A
A DIVISION OF HONEYWELL
FED. MFG. CODE 91929

SWITCH - BASIC

CATALOG LISTING

BZ-2R722331

BZ-2R722331
PAGE 1 OF 1

REPLACES
RELEASE NO. PR-9376

M

DRAWING
NUMBER

5

ISSUE

CHECK

REVISIONS

A	CO 58037 SMA 1 OCT 85
B	CO 77591 DAW 22 JUN 94
C	C093346 DLT 20 AUG 98
D	CO- 94212-C DLT 14 SEP 99

CHECK

CHECK

18 SEPT 80

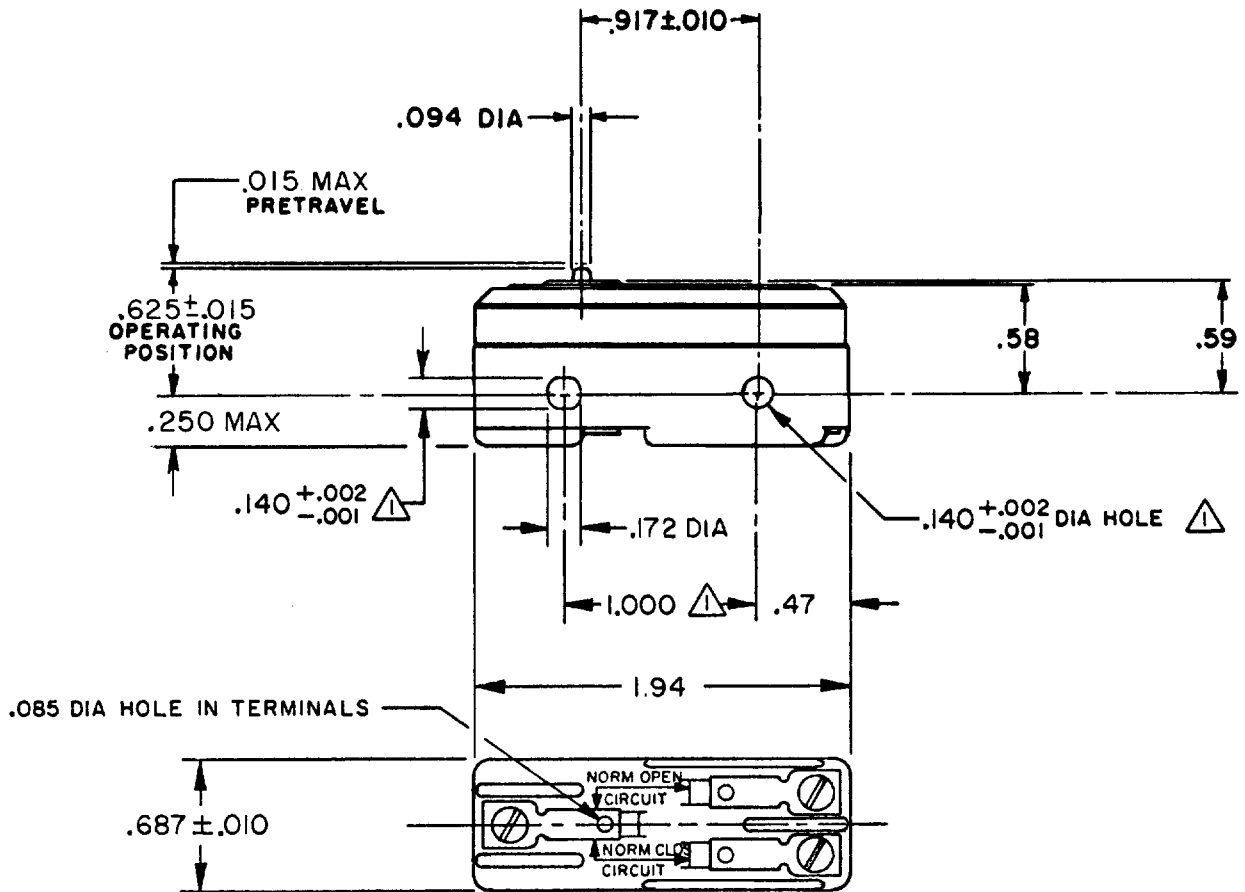
CHECK

16 SEPT 80

FORMTEK
FO-52848-A

DRAWN

TSM

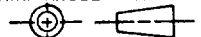


NOTES

- 1 MOUNTING HOLES WILL ACCEPT PINS OR SCREWS OF .139 MAX DIA ON 1.000 ± .002 CENTERS
- 2 CONTACT MATERIAL - GOLD ALLOY

THIS DRAWING COVERS A PROPRIETARY ITEM AND IS THE PROPERTY OF MICRO SWITCH, A DIVISION OF HONEYWELL. THIS DRAWING IS NOT TO BE COPIED OR USED WITHOUT THE APPROVAL OF MICRO SWITCH.

THIRD ANGLE PROJECTION



CHARACTERISTICS

OPERATING FORCE ----- 9-13 OZ
RELEASE FORCE ----- 4 OZ MIN
DIFFERENTIAL TRAVEL -- .0004-.0020
OVERTRAVEL ----- .005 MIN

ELECTRICAL DATA

CONTACT ARRANGEMENT
S P D T
UL LISTED-FILE E12252
CODE L22
1A-125 VAC
L288
L299
L307
CE ⓓ
1A 250V ~ T85 25E3

SCALE FULL

DO NOT SCALE PRINT

TOLERANCES

APPLY TO DESIGN UNITS. CONVERSIONS ARE ONLY FOR REFERENCE. UNLESS NOTED, TOLERANCES ARE ±

	DIM.	TOL.	DIM.	TOL.
	mm	mm/in	in	mm/in
NO PLACES	X	17.04	X X	0.87/03
ONE PLACE	X, X	0.47/016	X X X	0.387/015
TWO PLACES	X, X X	0.187/006	X X X X	0.137/005
THREE PLACES	X, X X X		X, X X X X	
ANGLES				

DESIGN UNITS SI METRIC US CUSTOMARY

WEIGHT .050 LB