

MICRO SWITCH

FREERPORT ILLINOIS, U.S.A
A DIVISION OF HONEYWELL
FED. MFG. CODE 91929

SWITCH - BASIC

CATALOG LISTING
BZ-2R268-A2

AGR9050

BZ-2R268-A2

PAGE 1 OF 1

REPLACES

RELEASE NO. PR-4948

M

DRAWING NUMBER

5

ISSUE

REVISIONS

A	CO-73287-J	J A L	22 NOV 93
B	CO-77589	J A L	30 MAR 94
C	CO93346	DLT	4 SEP 98
D	0017978	LKM	20 FEB 06

CHECK

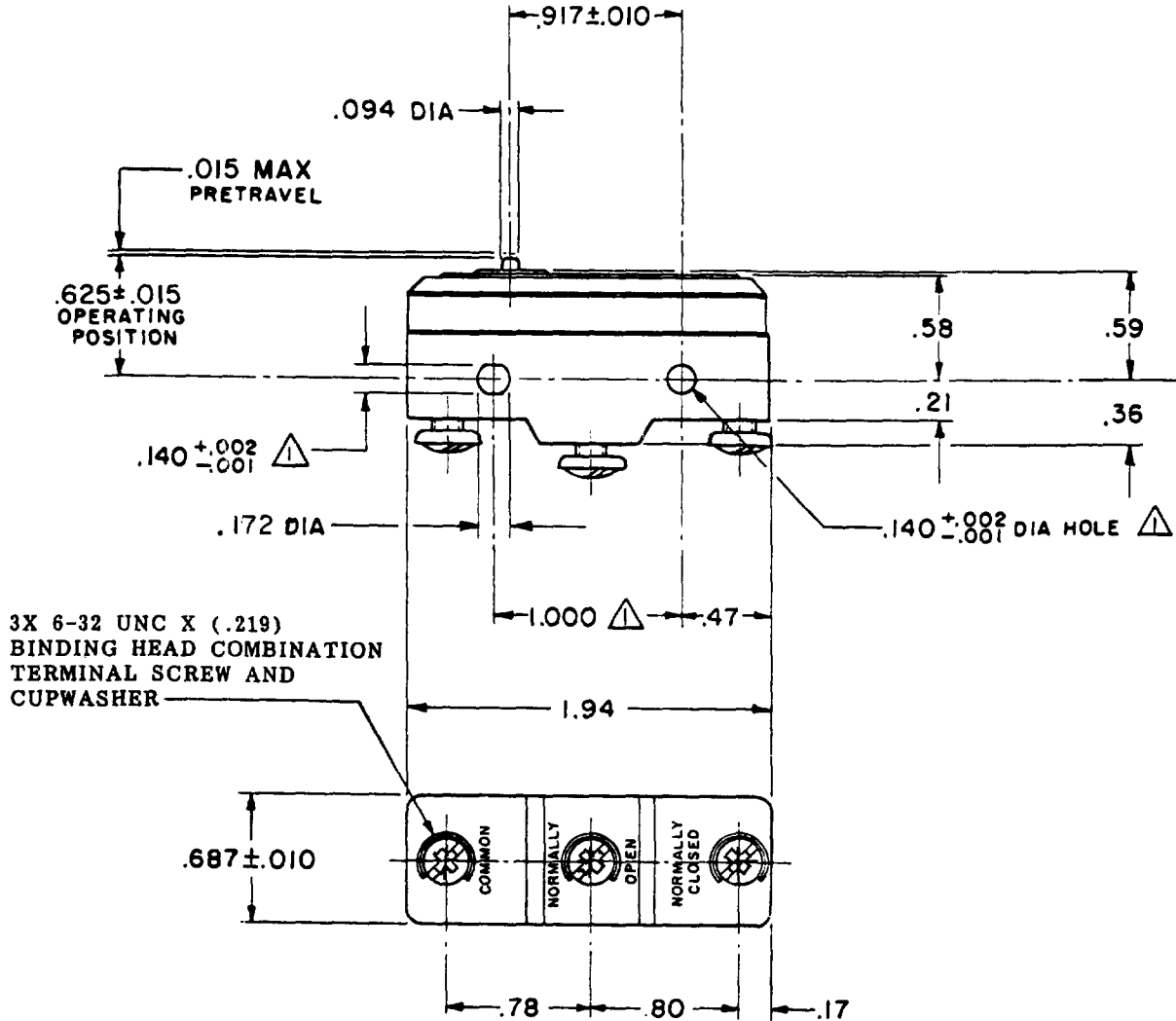
CHECK

30 APR 75

30 APR 75

30 APR 75

30 APR 75



3X 6-32 UNC X (.219)
BINDING HEAD COMBINATION
TERMINAL SCREW AND
CUPWASHER

NOTE -
△ - MOUNTING HOLES WILL ACCEPT PINS OR SCREWS
OF .139 MAX DIA ON 1.000 ±.002 CENTERS

THIS DRAWING COVERS A PROPRIETARY ITEM AND IS THE PROPERTY OF MICRO SWITCH, A DIVISION OF HONEYWELL. THIS DRAWING IS NOT TO BE COPIED OR USED WITHOUT THE APPROVAL OF MICRO SWITCH.

THIRD ANGLE PROJECTION

CHARACTERISTICS

OPERATING FORCE ----- 8-13 OZ
DIFFERENTIAL FORCE --- 1 1/2 - 3 1/2 OZ

DIFFERENTIAL TRAVEL --- .0004 - .0020
OVERTRAVEL ----- .005 MIN

ELECTRICAL DATA

CONTACT ARRANGEMENT
S P D T

CODE L96 15A-125, 250 OR 480 VAC
1/8HP-125 VAC; 1/4HP-250 VAC
1/2A-125 VDC; 1/4A-250 VDC

L288
L315
L306

CE SP 05 RU

16A 250V ~ T85 5E4

SCALE FULL

DO NOT SCALE PRINT

TOLERANCES

APPLY TO DESIGN UNITS. CONVERSIONS ARE ONLY FOR REFERENCE. UNLESS NOTED, TOLERANCES ARE ±

	DIM.	TOL.	DIM.	TOL.
	mm	mm/in	in	mm/in
NO PLACES	X	1/64	X, X	0.07, 0.09
ONE PLACE	X, X	0.4/016	X, X, X	0.387, 0.15
TWO PLACES	X, XX	0.187, .008	X, XX, X, XXX	0.137, .006
THREE PLACES	X, XX	0.187, .008	X, XX, X, XXX	0.137, .006
ANGLES				

DESIGN UNITS SI METRIC US CUSTOMARY

WEIGHT .063 LB

FORMTEK

FO-52848-A

DRAWN

GLH 29 APR 75