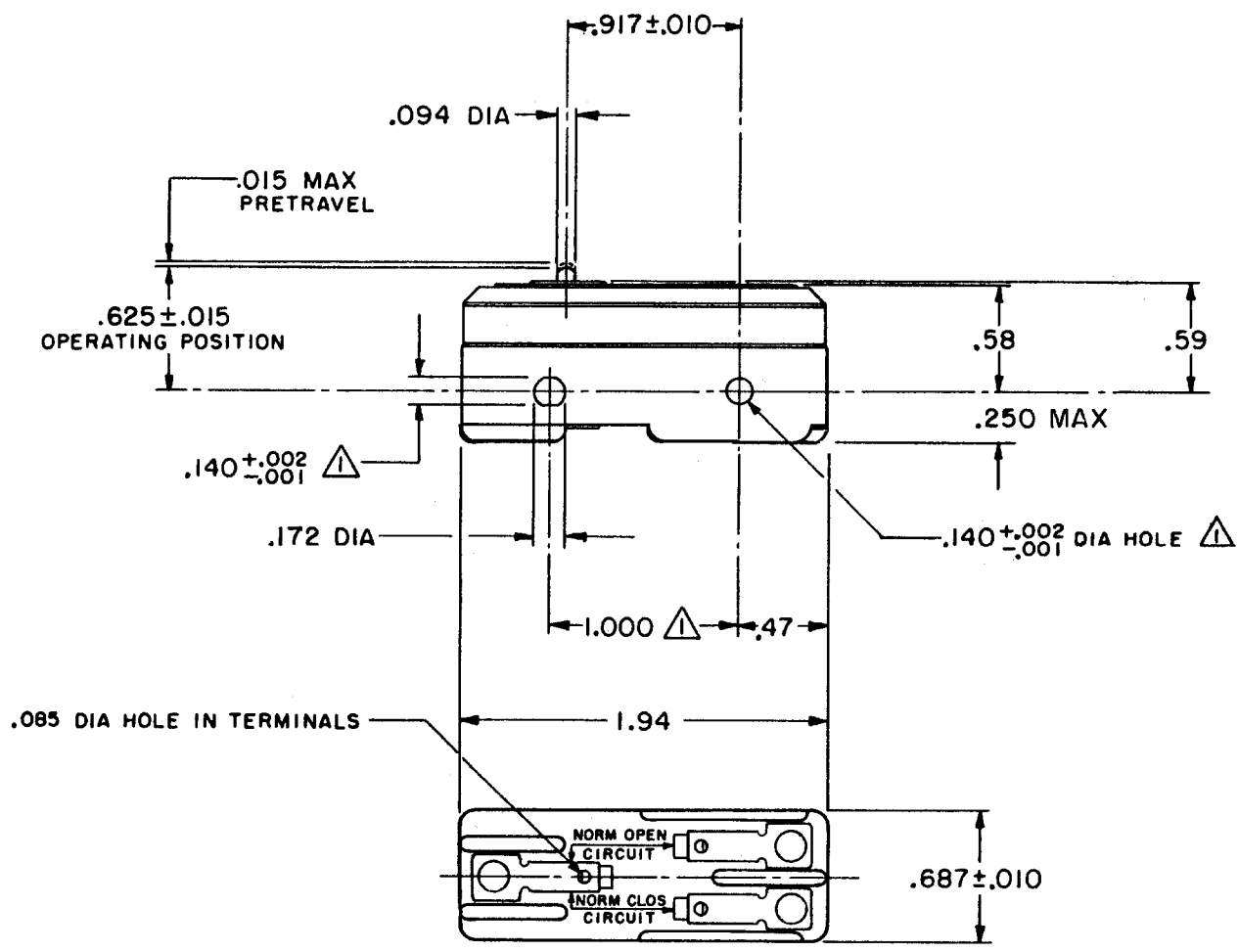


BZ-2R
 PAGE 1 OF 1
 DRAWING NUMBER
 ISSUE 16
 REVISIONS
 A CO17410
 G C H
 18 MAR 63
 B CO31092
 R C B
 30 SEPT 72
 C CO46304
 J A P
 12 OCT 79
 D 58037
 S M A
 1 OCT 85
 E CO 78874
 D L T
 17 NOV 94
 F CO93346
 D L T
 1 SEP 98
 G CO-84234
 L J K
 8 MAR 99
 FORMTEK
 FO-80378
 DRAWN
 G C H
 18 MAR 63
 CHECK L.S.D.
 26 MAR 63
 CHECK
 RELEASE NO.
 CHECK
 REPLACES



NOTE
 △ MOUNTING HOLES WILL ACCEPT PINS OR SCREWS
 OF .139 MAX DIA ON 1.000 ± .002 CENTERS

THIS DRAWING COVERS A PROPRIETARY ITEM AND IS THE PROPERTY OF MICRO SWITCH, A DIVISION OF MINNEAPOLIS-HONEYWELL REGULATOR CO. THIS DRAWING IS NOT TO BE COPIED OR USED WITHOUT THE APPROVAL OF MICRO SWITCH.

CHARACTERISTICS	
OPERATING FORCE	----- 9 - 13 OZ
RELEASE FORCE	----- 4 OZ MIN
DIFFERENTIAL TRAVEL	---- .0004 - .0020
OVERTRAVEL	----- .005 MIN

ELECTRICAL DATA	
CONTACT ARRANGEMENT	S P D T
UNDERWRITERS' LAB. INC. LISTED RATING 15A-125, 250 OR 480 VAC, 2A-600 VAC -L74- 1/8HP-125 VAC; 1/4HP-250 VAC 1/2A-125 VDC; 1/4A-250 VDC	
-L288-	
-L299-	
-L306-	
16A 250V ~ T85 5E4	

SCALE FULL		
DO NOT SCALE PRINT		
UNLESS OTHERWISE SPECIFIED		
DIMENSIONS ARE IN INCHES		
TOLERANCES ARE:		
ONE PLACE	(.0)	±.030
TWO PLACE	(.00)	±.015
THREE PLACE	(.000)	±.005
ANGLES		±
WEIGHT .050 LB		