

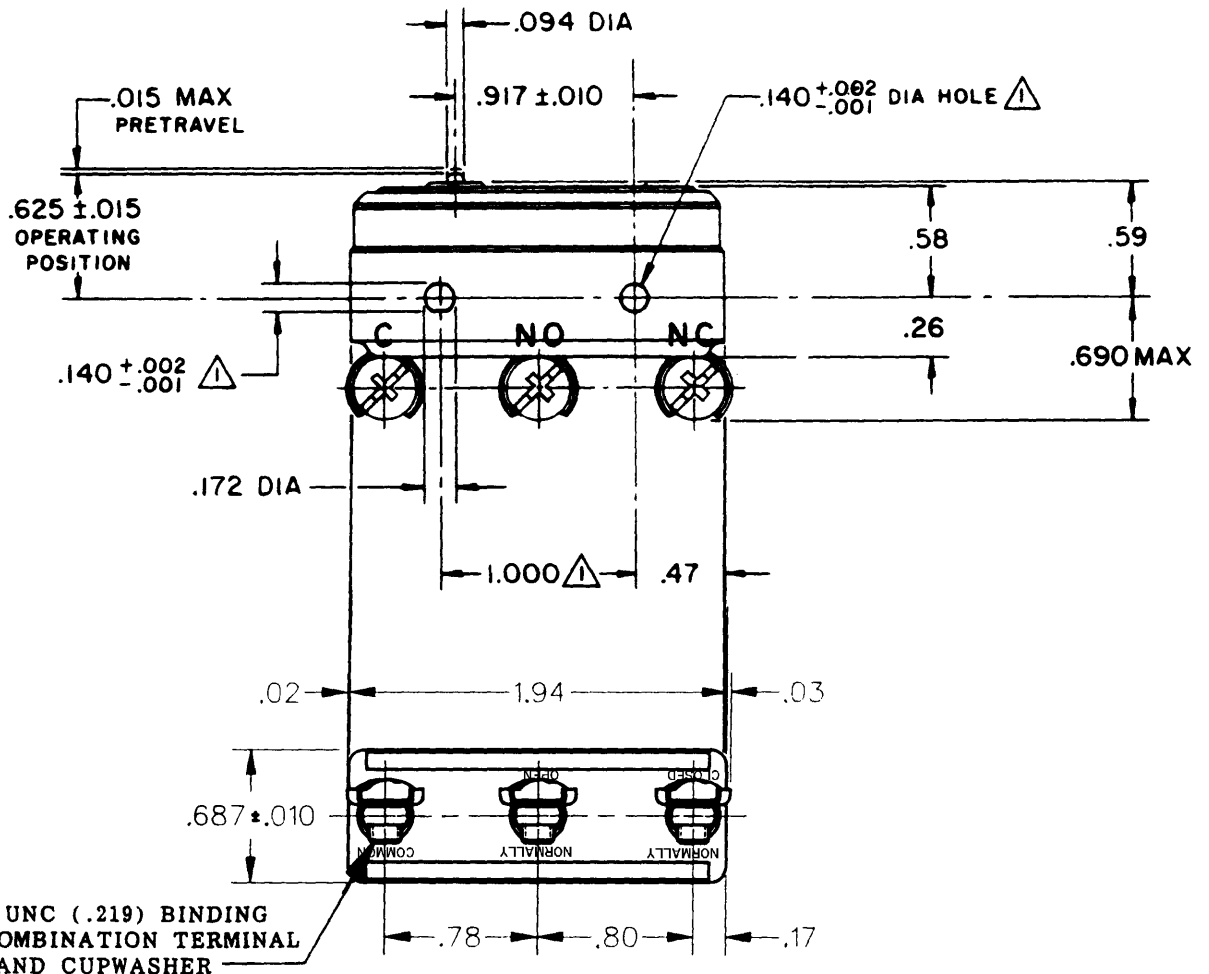


MICRO SWITCH
 FREEPORT ILLINOIS
 A DIVISION OF HONEYWELL
 FED. MFG. CODE 91999

SWITCH - BASIC

CATALOG LISTING
BZ - 2R - P4

JG05700



3X 8-32 UNC (.219) BINDING HEAD COMBINATION TERMINAL SCREW AND CUPWASHER

NOTE
 ▲ MOUNTING HOLES WILL ACCEPT PINS OR SCREWS OF .139 MAX DIA ON 1.000 ±.002 CENTERS

THIS DRAWING COVERS A PROPRIETARY ITEM AND IS THE PROPERTY OF MICRO SWITCH, A DIVISION OF MINNEAPOLIS-HONEYWELL REGULATOR CO. THIS DRAWING IS NOT TO BE COPIED OR USED WITHOUT THE APPROVAL OF MICRO SWITCH.

CHARACTERISTICS		ELECTRICAL DATA		SCALE FULL	
OPERATING FORCE -----	9-13 OZ	CONTACT ARRANGEMENT	S P D T	DO NOT SCALE PRINT	
RELEASE FORCE -----	4 OZ MIN	-L96- 15 A-125, 250, OR 480 VAC 1/2 A-125 VDC; 1/4 A-250 VDC 1/8 HP-125 VAC; 1/4 HP-250 VAC -L288- -L306- -L315-	CE EN 05 EC 	UNLESS OTHERWISE SPECIFIED DIMENSIONS ARE IN INCHES TOLERANCES ARE: ONE PLACE (.9) ±.030 TWO PLACE (.00) ±.018 THREE PLACE (.000) ±.008 ANGLES ±	
DIFFERENTIAL TRAVEL ----	.0004 - .0020				16A 250V ~ T85 5E4
OVERTRAVEL -----	.005 MIN				WEIGHT .074 LB

BZ - 2R - P4
 PAGE 1 OF 1
M DRAWING NUMBER
 ISSUE 10
 REVISIONS
 A COISSBI 16 FEB 63
 B 73257-G 20 OCT 93
 C 75367B
 K D R 3 MAR 94
 D 77863 6 JW 2 MAY 96
 E CO93346 DLT 4 SEP 98
 F 0015138 SPK 29 AUG 05
 FORMTEK FO-80378 DRAWN
 G C H 16 FEB 63 CHECK
 DAW A, APR 63 CHECK
 RJ 29 AUG 05 CHECK
 REPLACES
 RELEASE NO.