

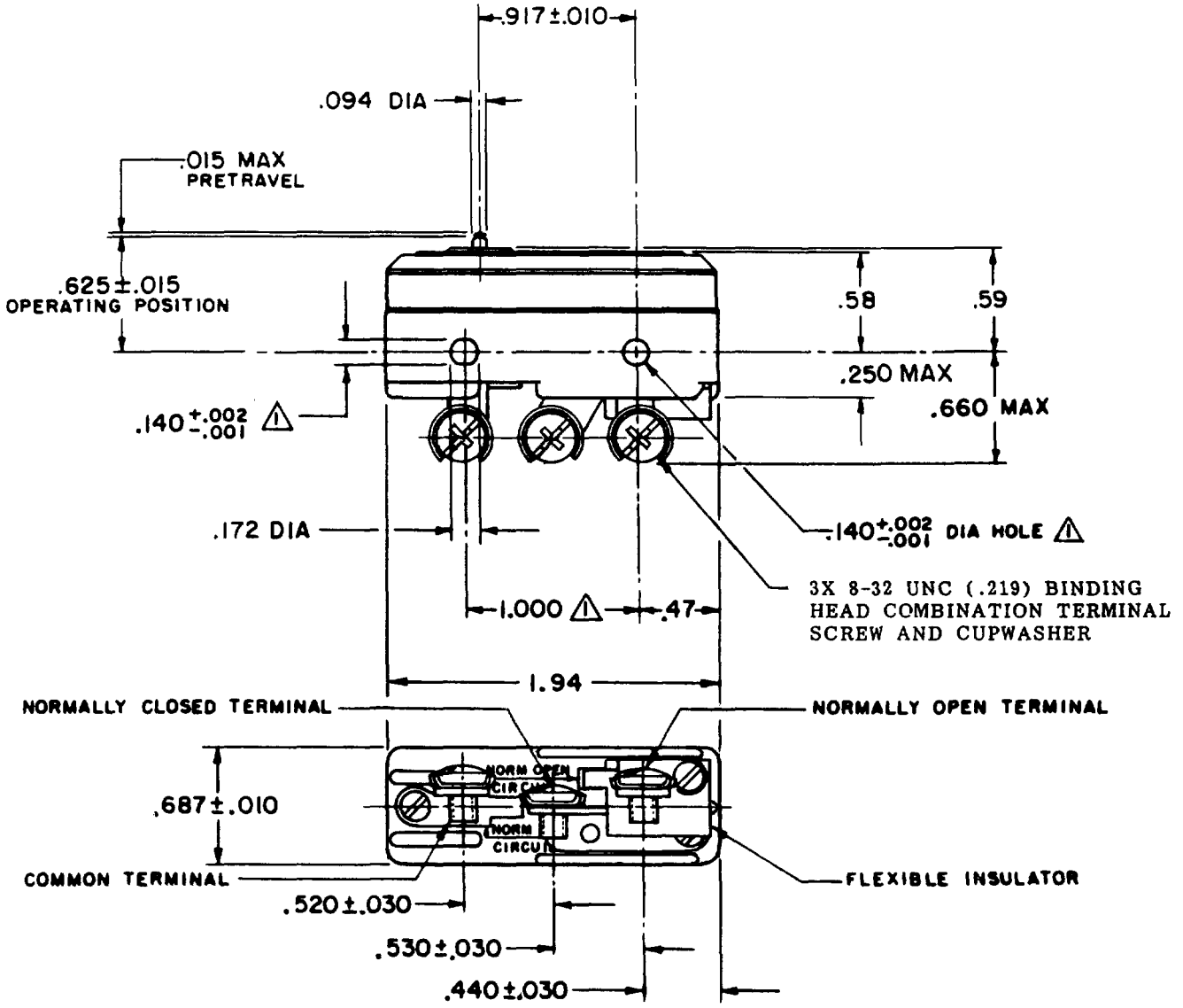


**MICRO SWITCH**  
 FREEPORT, ILLINOIS, U.S.A.  
 A DIVISION OF HONEYWELL  
 FED. MFG. CODE 91929

# SWITCH - BASIC

CATALOG LISTING  
**BZ - 2R - P1**

**BZ - 2R - P1**  
 PAGE 1 OF 1  
**M**  
 DRAWING NUMBER  
 ISSUE 13  
 REVISIONS  
 A CO17410  
 S R H  
 13 APRIL 63  
 B CO31863  
 S R H  
 27 MAR 73  
 C 58037  
 S M A  
 1 OCT 85  
 D 73287-G  
 J A T  
 20 OCT 93  
 E 77591  
 D A W  
 22 JUN 94  
 F CO93346  
 D L T  
 1 SEP 98  
 G CO-94212-C  
 D L T  
 14 SEP 99  
 FORMTEK  
 FO-50376  
 DRAWN  
 G C H 13 APRIL 63  
 CHECK  
 L.S.D. 23 APR '63  
 CHECK  
 REPLACES  
 RELEASE NO.



**NOTE**  
 ▲ - MOUNTING HOLES WILL ACCEPT PINS OR SCREWS OF  $.139$  MAX DIA ON  $1.000 \pm .002$  CENTERS

THIS DRAWING COVERS A PROPRIETARY ITEM AND IS THE PROPERTY OF MICRO SWITCH, A DIVISION OF MINNEAPOLIS-HONEYWELL REGULATOR CO. THIS DRAWING IS NOT TO BE COPIED OR USED WITHOUT THE APPROVAL OF MICRO SWITCH.

CHARACTERISTICS	ELECTRICAL DATA	SCALE FULL
OPERATING FORCE ----- 9 - 13 OZ	CONTACT ARRANGEMENT S P D - T	DO NOT SCALE PRINT
RELEASE FORCE ----- 4 OZ MIN	UNDERWRITERS' LAB, INC. LISTED RATING 15A - 125, 250 OR 480 VAC, 2A - 800 VAC 1/8HP - 125 VAC; 1/4HP - 250 VAC 1/2A - 125 VDC; 1/4A - 250 VDC	UNLESS OTHERWISE NOTED DIMENSIONS ARE IN INCHES <b>TOLERANCES ARE:</b>
DIFFERENTIAL TRAVEL ----- .0004 - .0020	-L74- -L288- -L299- -L306-	ONE PLACE (.0) $\pm .030$ TWO PLACE (.001) $\pm .015$ THREE PLACE (.000) $\pm .005$ ANGLES $\pm$
OVERTRAVEL ----- .005 MIN	CE D SP 16A 250V ~ T85 5E4	WEIGHT .075 LB