

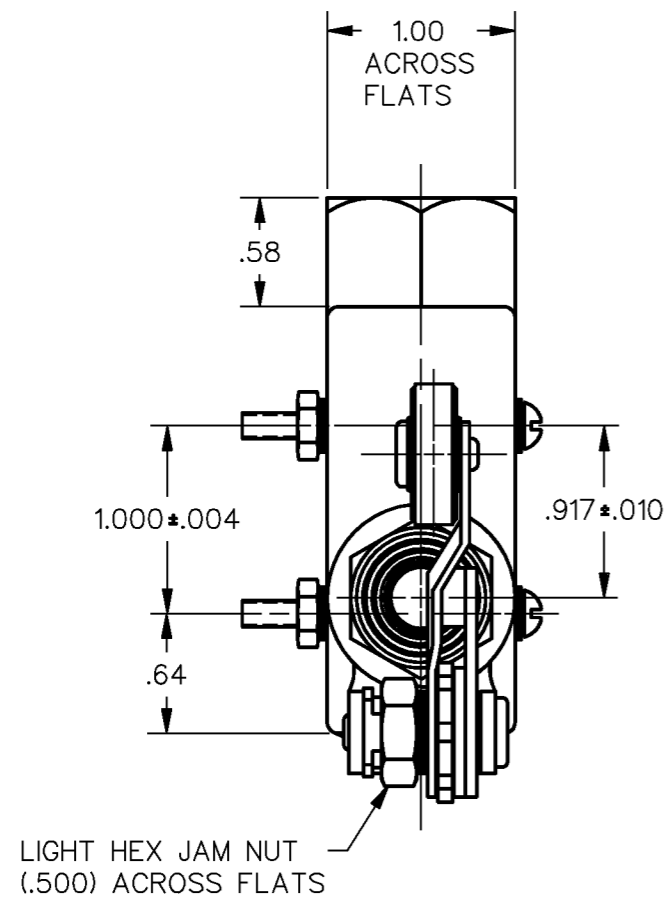
MICRO SWITCH
a Honeywell Division

SWITCH - ENCLOSED

CATALOG LISTING
BME6-2RQ273

FED. MFG. CODE 91929

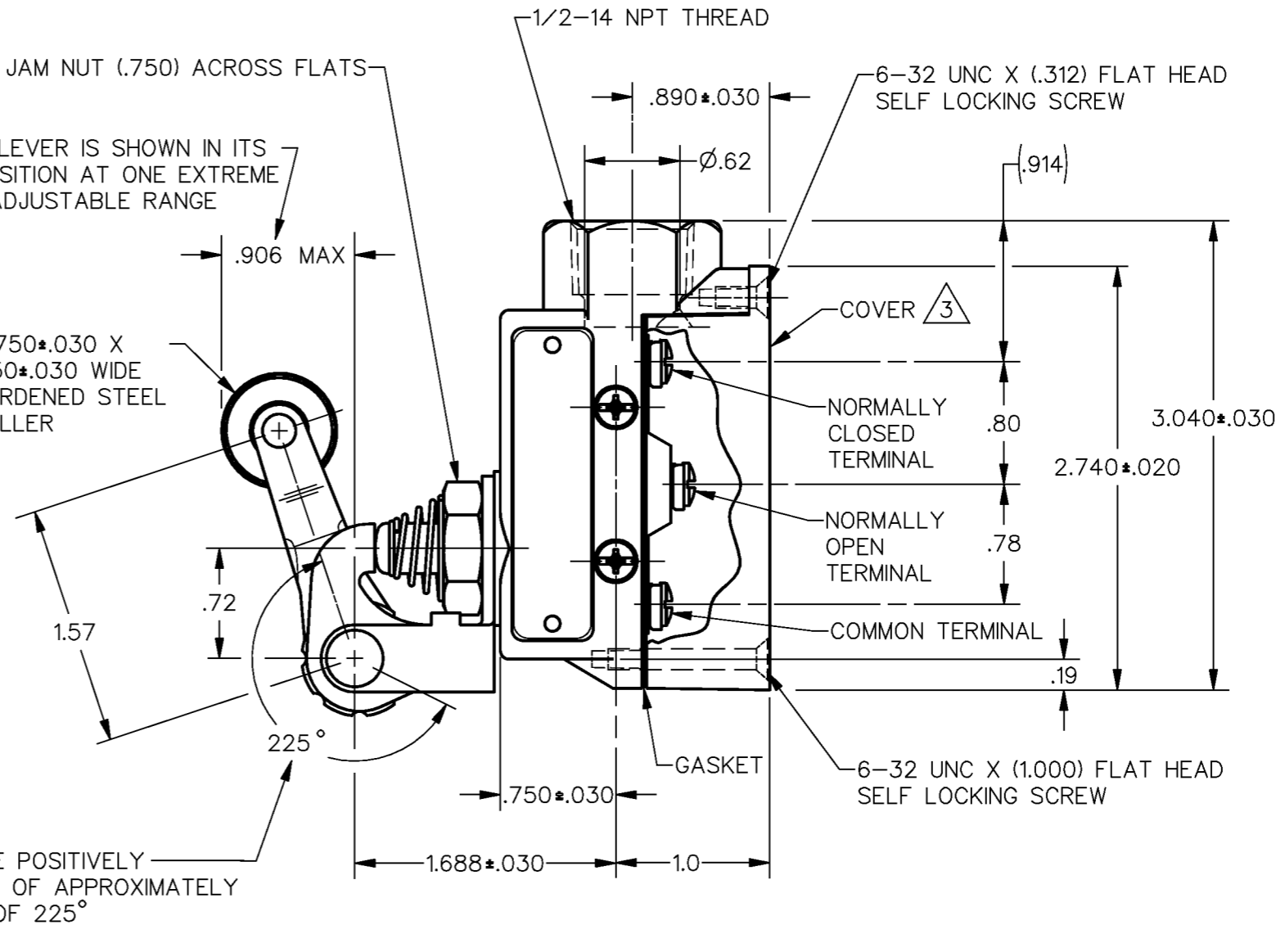
CATALOG LISTING
BME6-2RQ273
 RELEASE NO. PR-20733 REPLACES
 ISSUE **M**
3
 REVISIONS
 A C081513E
 J A K
 24 FEB 97
 B 0016894
 KRB
 10 NOV 05
 CHECK 10 NOV 05
 CHECK 20 AUG 93
 CHECK 19 AUG 93
 DRAWN
 DDM/CAD



HEX JAM NUT (.750) ACROSS FLATS

ROLLER LEVER IS SHOWN IN ITS FREE POSITION AT ONE EXTREME OF ITS ADJUSTABLE RANGE

Ø.750 ± .030 X .250 ± .030 WIDE HARDENED STEEL ROLLER



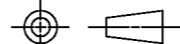
ROLLER LEVER MAY BE POSITIVELY LOCKED AT INTERVALS OF APPROXIMATELY 0.2° WITHIN A RANGE OF 225° (1238 POSITIONS)

NOTES

- 1 - 3X 6-32 UNC X (.219) BINDING HEAD TERMINAL SCREW AND CUPWASHER
- 2 - ROLLER LEVER BRACKET ASSEMBLY MAY BE SET AT ANY ONE OF EIGHT POSITIONS SPACED 45° APART
- 3 FURNISHED UNASSEMBLED
- 4 - SEAL RATING: NEMA1 IP40

THIS DRAWING COVERS A PROPRIETARY ITEM AND IS THE PROPERTY OF MICRO SWITCH, A DIVISION OF HONEYWELL. THIS DRAWING IS NOT TO BE COPIED OR USED WITHOUT THE APPROVAL OF MICRO SWITCH

THIRD ANGLE PROJECTION



CHARACTERISTICS	ELECTRICAL DATA
OPERATING FORCE ———— 10-18 OZ	CONTACT ARRANGEMENT S P D T
RELEASE FORCE ———— 6 OZ MIN	
PRETRAVEL ———— .188 MAX	
DIFFERENTIAL TRAVEL ———— .006 MAX	L268 22A 125, 250, 480 VAC
OVERTRAVEL ———— .219 MIN	1/2A 125 VDC, 1/4A 250 VDC
SWITCH - BASIC REPLACEMENT --- BM-2RQ66	

ELECTRICAL DATA	
CONTACT ARRANGEMENT S P D T	
L268 22A 125, 250, 480 VAC	
1/2A 125 VDC, 1/4A 250 VDC	

THIRD ANGLE PROJECTION	
SCALE	FULL
DO NOT SCALE PRINT	
UNLESS OTHERWISE SPECIFIED TOLERANCES ARE	
ONE PLACE	(.0) ± .030
TWO PLACE	(.00) ± .015
THREE PLACE	(.000) ± .005
ANGLES	±
WEIGHT	.70 LB

ANSI Y14.5M-1982 APPLIES