

MICRO SWITCH
 FREEPORT, ILLINOIS, U.S.A.
 A DIVISION OF HONEYWELL
 FED. MFG. CODE 91929

SWITCH-ENCLOSED

CATALOG LISTING
BME6-2RQ173

BME6-2RQ173

M

DRAWING NUMBER

X

ISSUE

3

REPLACES

RELEASE NO. PR-19231

CHECK

REVISIONS

A	C072476	
	MAN	4 SEP 92
B	0016894	
	KRB	10 NOV 05

RJ

CHECK

6 MAY 91

MAM

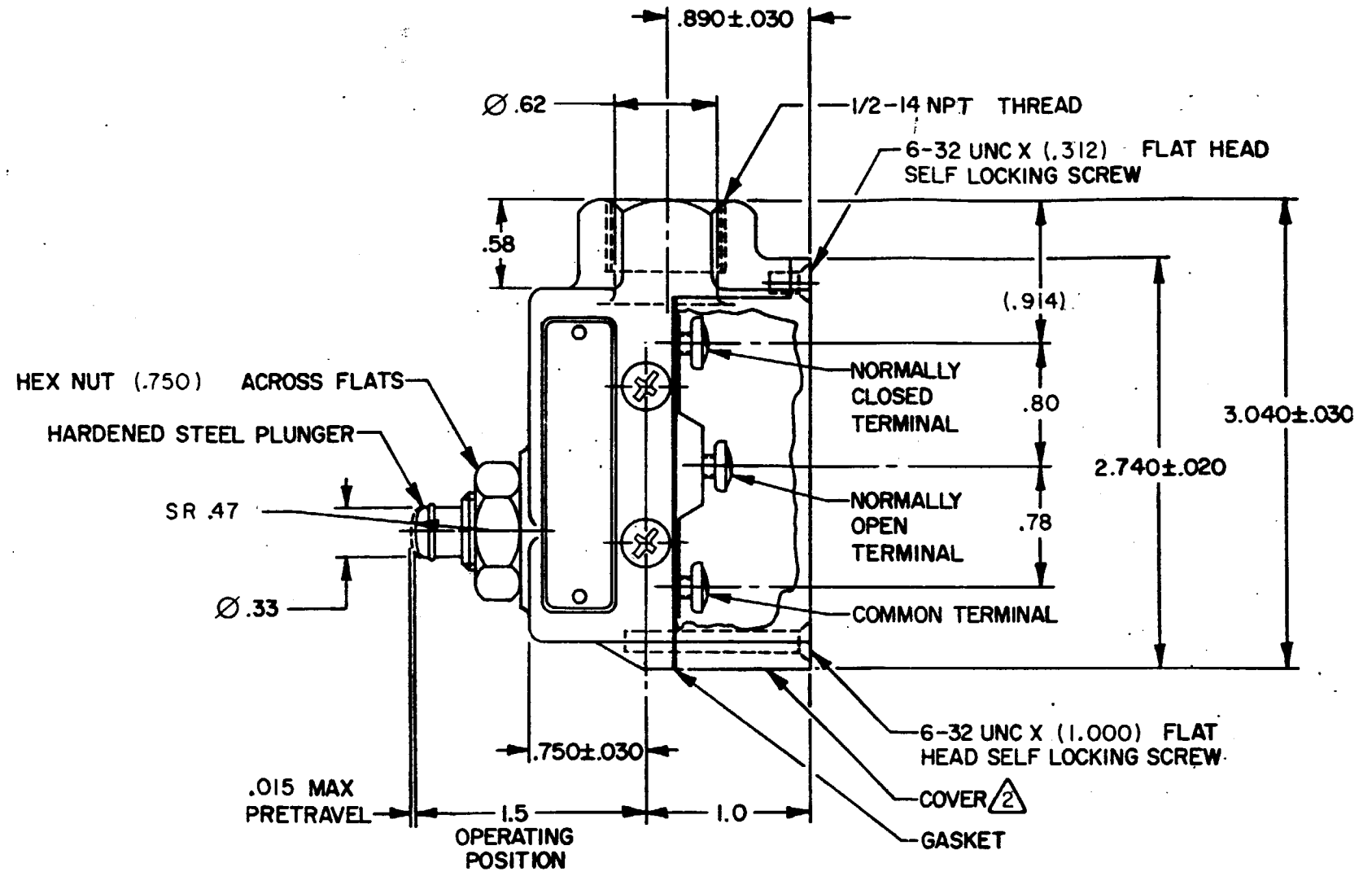
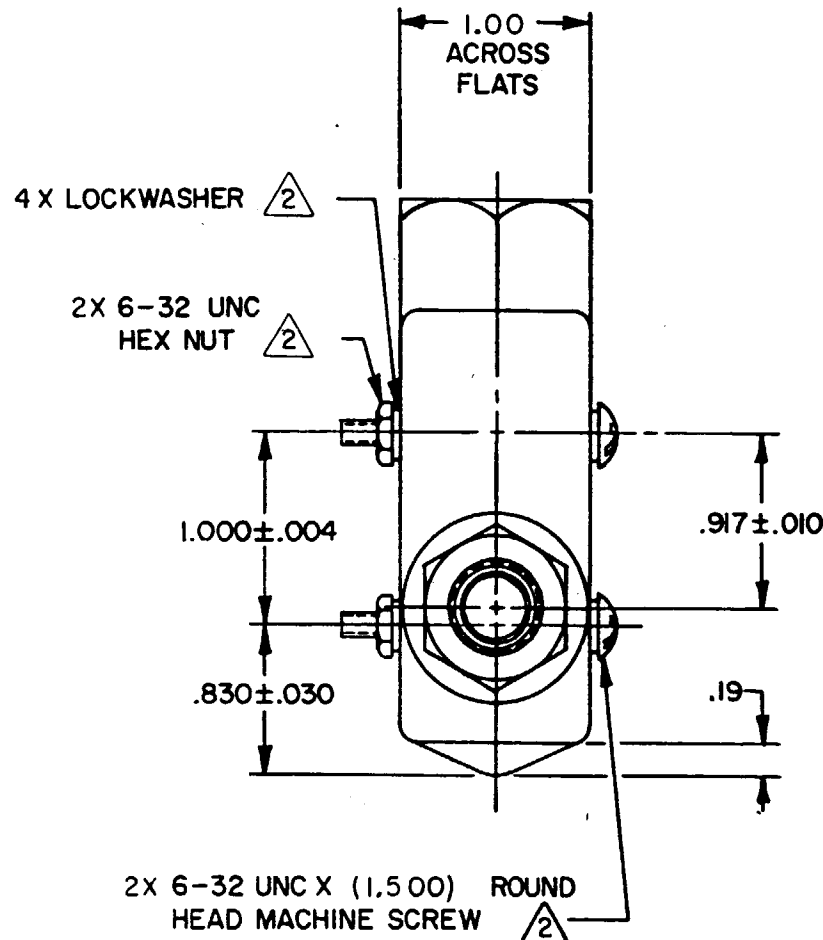
CHECK

26 APR 91

FO-52851-B

DRAWN

T S M



ANSI Y14.5M-1982 APPLIES

THIS DRAWING COVERS A PROPRIETARY ITEM AND IS THE PROPERTY OF MICRO SWITCH A DIVISION OF HONEYWELL. THIS DRAWING IS NOT TO BE COPIED OR USED WITHOUT THE APPROVAL OF MICRO SWITCH.

CHARACTERISTICS	ELECTRICAL DATA
OPERATING FORCE - - - - - 9-13 OZ	CONTACT ARRANGEMENT S P D T
RELEASE FORCE - - - - - 4 OZ MIN	L268
DIFFERENTIAL TRAVEL - - - - .002 MAX	22A-125, 250 OR 480 VAC
OVERTRAVEL - - - - - .219 MIN	1/2A-125 VDC; 1/4A-250 VDC

BASIC SWITCH REPLACEMENT - - BM-2RQ66



SCALE	FULL
DO NOT SCALE PRINT	
UNLESS OTHERWISE SPECIFIED TOLERANCES ARE	
ONE PLACE	(.0) ± .030
TWO PLACE	(.00) ± .015
THREE PLACE	(.000) ± .005
ANGLES	±
THIRD ANGLE PROJECTION	
WEIGHT	.53 LB

NOTES

- 1 - 3X 6-32 UNC X (.219) BINDING HEAD TERMINAL SCREW AND CUPWASHER
- $\triangle 2$ FURNISHED UNASSEMBLED
- 3 - SEAL RATING: NEMA1
IP40