

MICRO SWITCH

FREERPORT ILLINOIS, U.S.A
A DIVISION OF HONEYWELL
FED. MFG. CODE 91929

SWITCH - BASIC

CATALOG LISTING

BM-2RW855-D6

BM-2RW855-D6

M

DRAWING NUMBER

X

5

X

X

REPLACES

RELEASE NO. CO-34306

CHECK

07DEC07

ASD

07DEC07

8 JAN 76

DAW

76

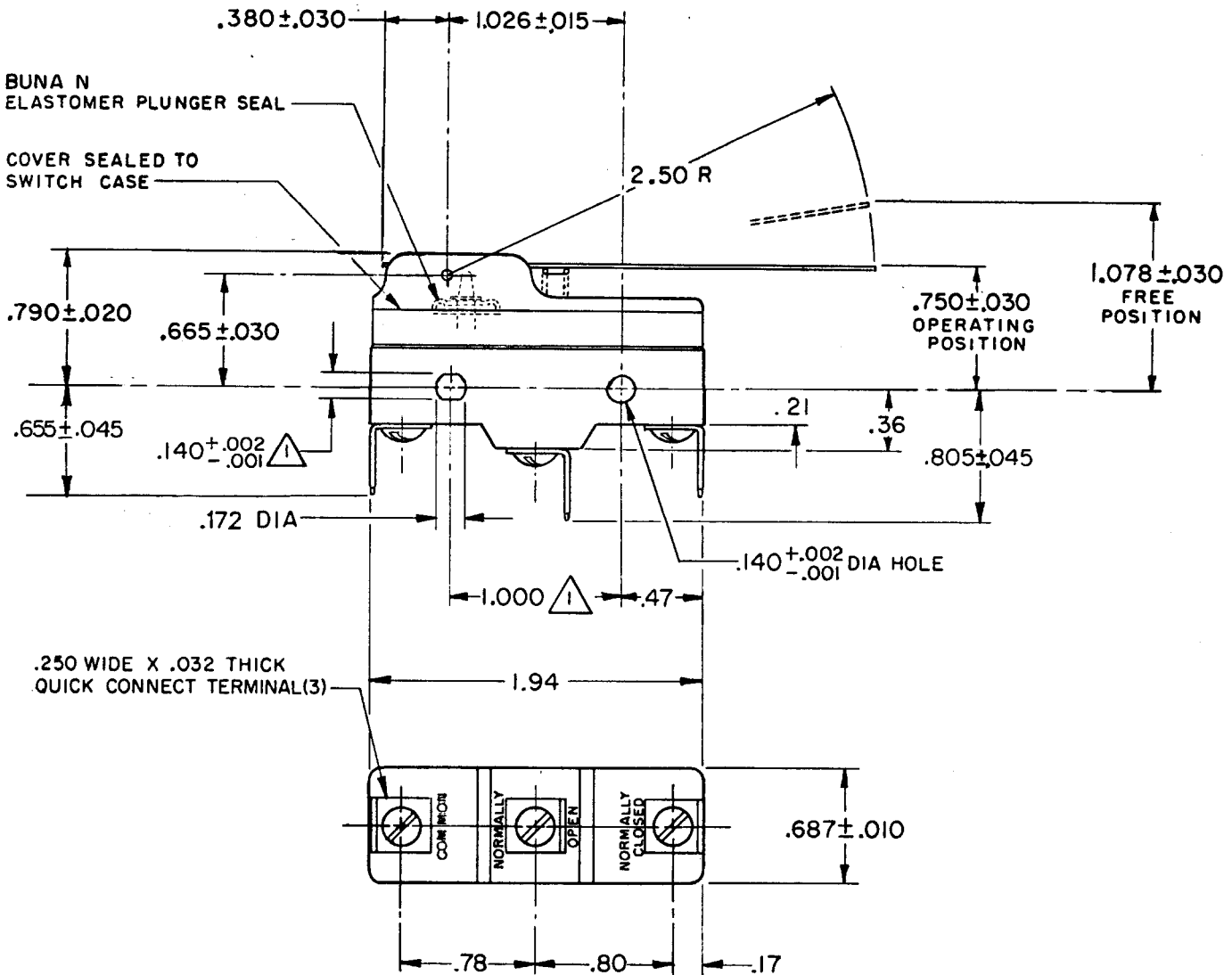
6 JAN 76

6

K S W

REVISIONS

A	CO67209	JAP	2 MAY 90
B	CO-77588	KDR	29 MAR 94
C	CO-80938	DLT	7 JUN 95
D	0035413	JA	07DEC07



NOTE
 1 - MOUNTING HOLES WILL ACCEPT PINS OR SCREWS OF .139 MAX DIA ON 1.000±.002 CENTERS
 2 - SEALED CONSTRUCTION PROVIDES SPLASH RESISTANCE.

THIS DRAWING COVERS A PROPRIETARY ITEM AND IS THE PROPERTY OF MICRO SWITCH. A DIVISION OF HONEYWELL. THIS DRAWING IS NOT TO BE COPIED OR USED WITHOUT THE APPROVAL OF MICRO SWITCH.

THIRD ANGLE PROJECTION

CHARACTERISTICS

OPERATING FORCE --- 2 1/2 OZ MAX
 RELEASE FORCE ----- 1/2 OZ MIN
 DIFFERENTIAL TRAVEL --- .007-.050
 OVERTRAVEL ----- .219 MIN

ELECTRICAL DATA

CONTACT ARRANGEMENT
S P D T

L101
 22A 125, 250 OR 480 VAC
 1/4 HP 125 VAC, 1/2 HP 250 VAC
 1/2A 125 VDC, 1/4A 250 VDC

L288
L315
L318

CE FUL 05
 22A 250V ~ T85 5E4

SCALE FULL

DO NOT SCALE PRINT

TOLERANCES
 APPLY TO DESIGN UNITS. CONVERSIONS ARE ONLY FOR REFERENCE. UNLESS NOTED, TOLERANCES ARE ±

DIM.	TOL.	DIM.	TOL.
mm	mm/in	in	mm/in
NO PLACES	X	1/04	
ONE PLACE	X,X	0.47/016	X,X 0.81/03
TWO PLACES	X,XX	0.157/006	X,XX 0.38/015
THREE PLACES	X,XXX		X,XXX 0.13/005
ANGLES			

SI METRIC US CUSTOMARY

DESIGN UNITS

WEIGHT .076 LB.

RASTER

FO-52848-A

DRAWN