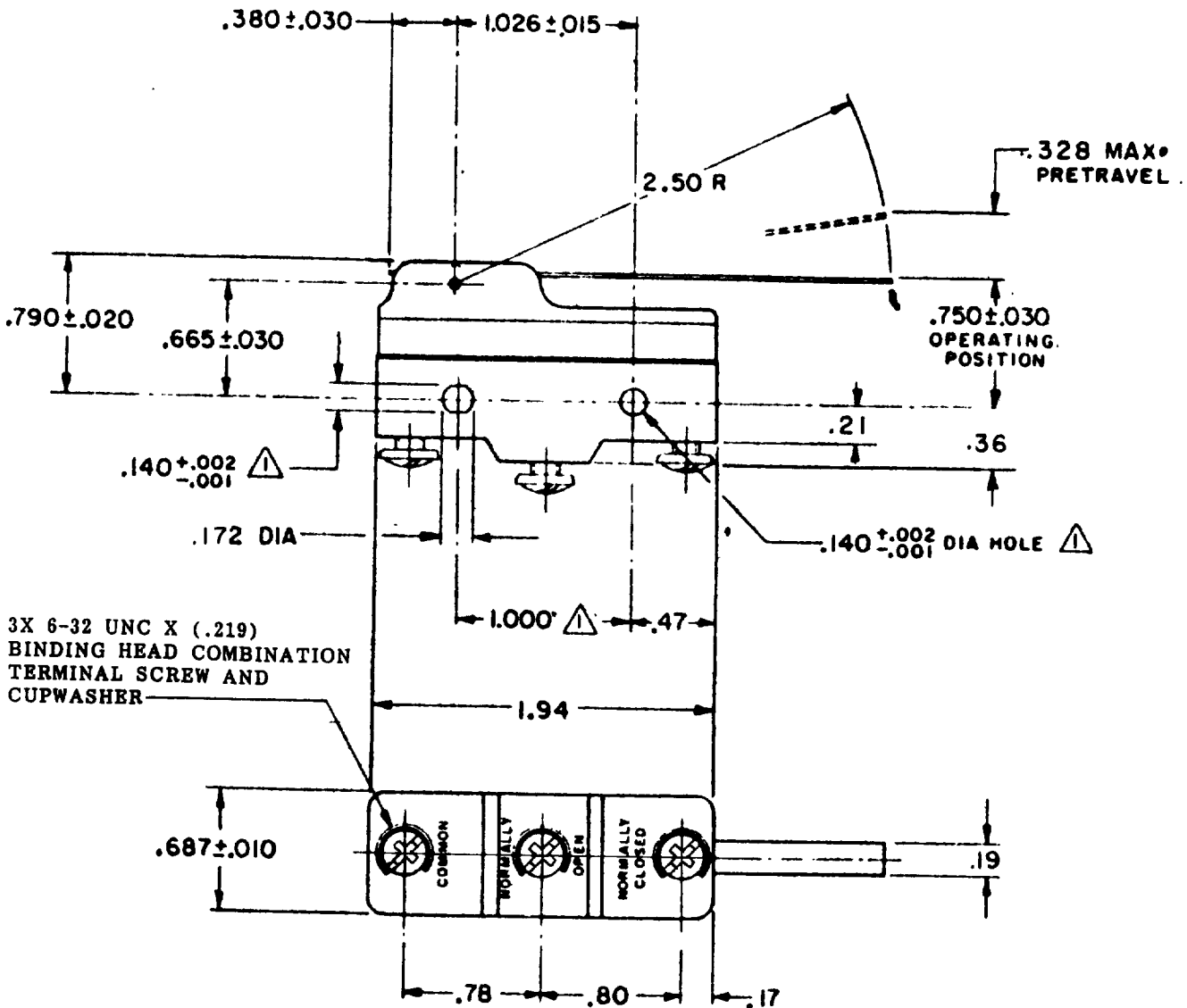


BM-2RW8424-A2
 DRAWING NUMBER
 ISSUE 5
 RELEASE NO. SR 10586
 07DEC07
 ASD
 CHECK 07DEC07
 BRJ
 CHECK 19 OCT 62
 DAW
 CHECK 19 OCT 62
 MBF
 DRAWN
 19 OCT 62
 RASTER
 10-90378



NOTE -
 ▲ - MOUNTING HOLES WILL ACCEPT PINS OR SCREWS OF .139 MAX DIA ON 1.000 ± .002 CENTERS
 2 - SWITCH WILL WITHSTAND TEMPERATURE OF 250° F

THIS DRAWING COVERS A PROPRIETARY ITEM AND IS THE PROPERTY OF MICRO SWITCH, A DIVISION OF MINNEAPOLIS-HONEYWELL REGULATOR CO. THIS DRAWING IS NOT TO BE COPIED OR USED WITHOUT THE APPROVAL OF MICRO SWITCH.

CHARACTERISTICS		ELECTRICAL DATA		SCALE FULL	
OPERATING FORCE	— — — — 1 OZ MAX	CONTACT ARRANGEMENT		DO NOT SCALE PRINT	
RELEASE FORCE	— — — — 1/8 OZ MIN			UNLESS OTHERWISE SPECIFIED	
DIFFERENTIAL TRAVEL	— .007 — .050			DIMENSIONS ARE IN INCHES	
OVERTRAVEL	— — — — .219 MIN			TOLERANCES ARE:	
		L288	22 A - 125, 250, OR 480 VAC	ONE PLACE (0.0)	±.030
		L315	1/4 HP - 125 VAC, 1/2 HP - 250 VAC	TWO PLACE (0.00)	±.015
		L318	1/2 A - 125 VDC; 1/4 A - 250 VDC	THREE PLACE (0.000)	±.005
				ANGLES	±
				WEIGHT .075 LB	