

MICRO SWITCH

A DIVISION OF MINNEAPOLIS-HONEYWELL REGULATOR COMPANY
FREDERICK, MICHIGAN

FED. MFR. CODE 91929

SWITCH - BASIC

CATALOG LISTING

BM - 1R

BM-1R

PAGE 1 OF 1

M

DRAWING NUMBER

10

ISSUE

REPLACES

RELEASE NO.

23NOV07

ASD

CHECK

26 OCT 61

26 OCT 61

17 JAN 67

6 AUG 73

16 OCT 73

1 OCT 85

22 JUN 94

7 SEP 99

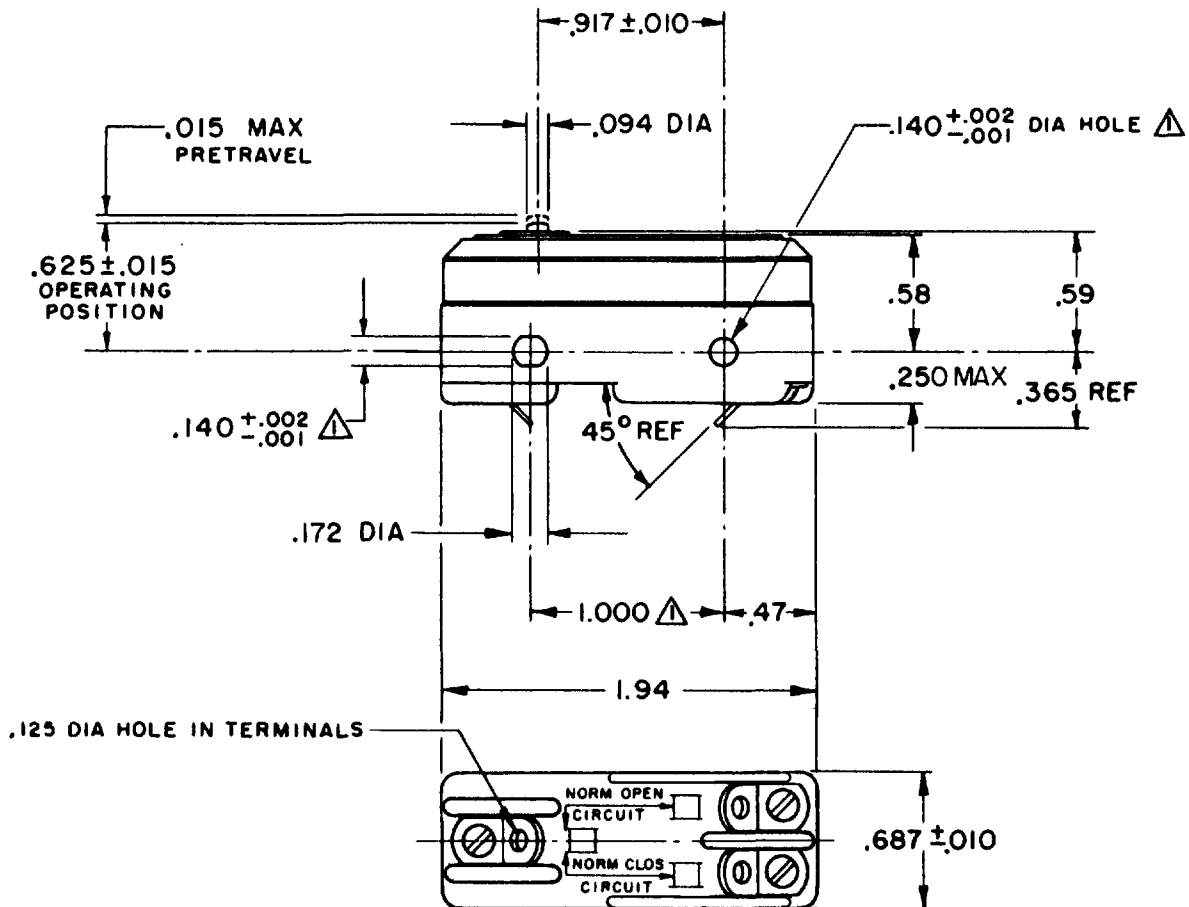
23NOV07

26 OCT 61

26 OCT 61

RASTER

CO-50378



NOTE
 ▲ MOUNTING HOLES WILL ACCEPT PINS OR SCREWS OF .139 MAX DIA ON 1.000 ± .002 CENTERS

THIS DRAWING COVERS A PROPRIETARY ITEM AND IS THE PROPERTY OF MICRO SWITCH, A DIVISION OF MINNEAPOLIS-HONEYWELL REGULATOR CO. THIS DRAWING IS NOT TO BE COPIED OR USED WITHOUT THE APPROVAL OF MICRO SWITCH.

CHARACTERISTICS	ELECTRICAL DATA	SCALE FULL
OPERATING FORCE - - - - - 7 - 10 OZ	CONTACT ARRANGEMENT S P D T	DO NOT SCALE PRINT
RELEASE FORCE - - - - - 4 OZ MIN	-L 161- 22 A - 125, 250, OR 480 VAC 1/2 HP - 125 VAC; 1 HP - 250 VAC L288 L315 L318	UNLESS OTHERWISE SPECIFIED DIMENSIONS ARE IN INCHES
DIFFERENTIAL TRAVEL - - - .0005 - .0010		TOLERANCES ARE: ONE PLACE (.0) ± .030 TWO PLACE (.00) ± .015 THREE PLACE (.000) ± .005 ANGLES ±
OVERTRAVEL - - - - - .005 MIN		22A 250V ~ T85 5E4
		WEIGHT .050 LB