

# MICRO SWITCH

A DIVISION OF MINNEAPOLIS-HONEYWELL REGULATOR COMPANY  
 PROSPER, ILLINOIS  
 FED. MFR. CODE 91929

## SWITCH - BASIC

CATALOG LISTING  
**BA - 2RVT**

**ABP0500**

BA - 2RVT  
 ISSUE 1

BA - 2RVT  
 PAGE 1 OF 1

**M**

DRAWING  
 NUMBER

7

ISSUE

REPLACES

RELEASE NO.

CHECK

18 JAN 06

RJ

CHECK

26 AUG 98

18 JAN 06

5 JAN 62

DAW

CHECK

22 DEC 61

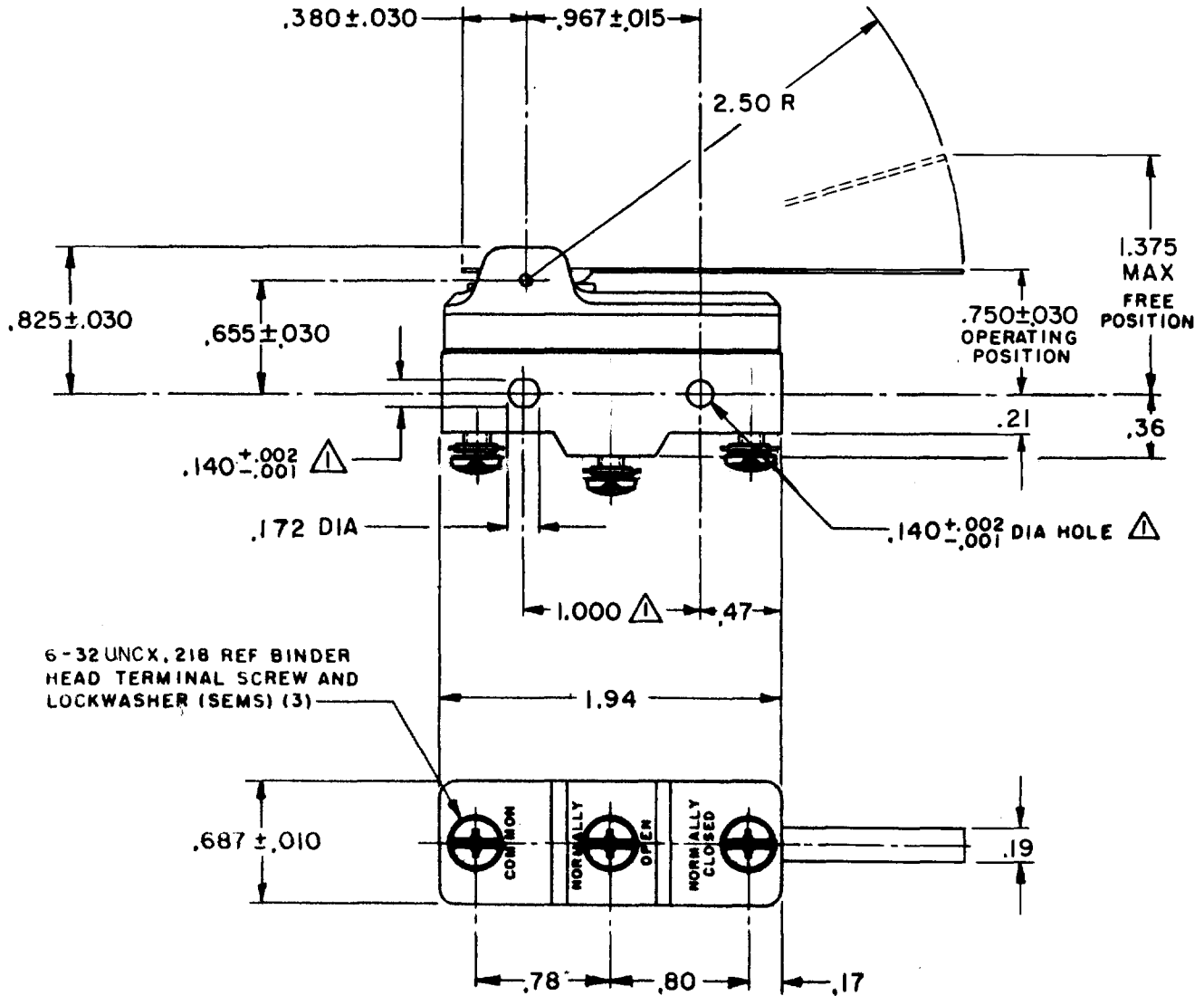
FORMTEK

DRAWN

G C H

22 DEC 61

F.O.-50378



6-32 UNC X .218 REF BINDER  
 HEAD TERMINAL SCREW AND  
 LOCKWASHER (SEMS) (3)

**NOTE**  
 ▲ - MOUNTING HOLES WILL ACCEPT PINS OR SCREWS  
 OF .139 MAX DIA ON 1.000 ± .002 CENTERS

THIS DRAWING COVERS A PROPRIETARY ITEM AND IS THE PROPERTY OF MICRO SWITCH, A DIVISION OF MINNEAPOLIS-HONEYWELL REGULATOR CO. THIS DRAWING IS NOT TO BE COPIED OR USED WITHOUT THE APPROVAL OF MICRO SWITCH.

CHARACTERISTICS	ELECTRICAL DATA	SCALE ---- FULL
OPERATING FORCE ---- 2 1/2 OZ MAX	CONTACT ARRANGEMENT S P D T	DO NOT SCALE PRINT
RELEASE FORCE ---- 1/2 OZ MIN	L23 20A - 125, 250 OR 480 VAC 10A - 125 VAC "L" 1HP - 125 VAC, 2HP - 250 VAC 1/2A - 125 VDC, 1/4A - 250 VDC	UNLESS OTHERWISE SPECIFIED DIMENSIONS ARE IN INCHES <b>TOLERANCES ARE:</b>
PRETRAVEL ---- .625 MAX	L288	ONE PLACE (.0) ± .030
DIFFERENTIAL TRAVEL ---- .109 MAX	L308	TWO PLACE (.00) ± .015
OVERTRAVEL ---- .078 MIN	L315	THREE PLACE (.000) ± .008
	CE	ANGLES ±
	20(3)A 250V ~ T85 5E4	WEIGHT