

MICRO SWITCH

A DIVISION OF MINNEAPOLIS-HONEYWELL REGULATORS COMPANY
MINNEAPOLIS, MINNESOTA

FED. MFR CODE 91929

SWITCH - BASIC

CATALOG LISTING

BA-2RV241-A2

ABS3000

JG18906

BA-2RV241-A2

PAGE 1 OF 1

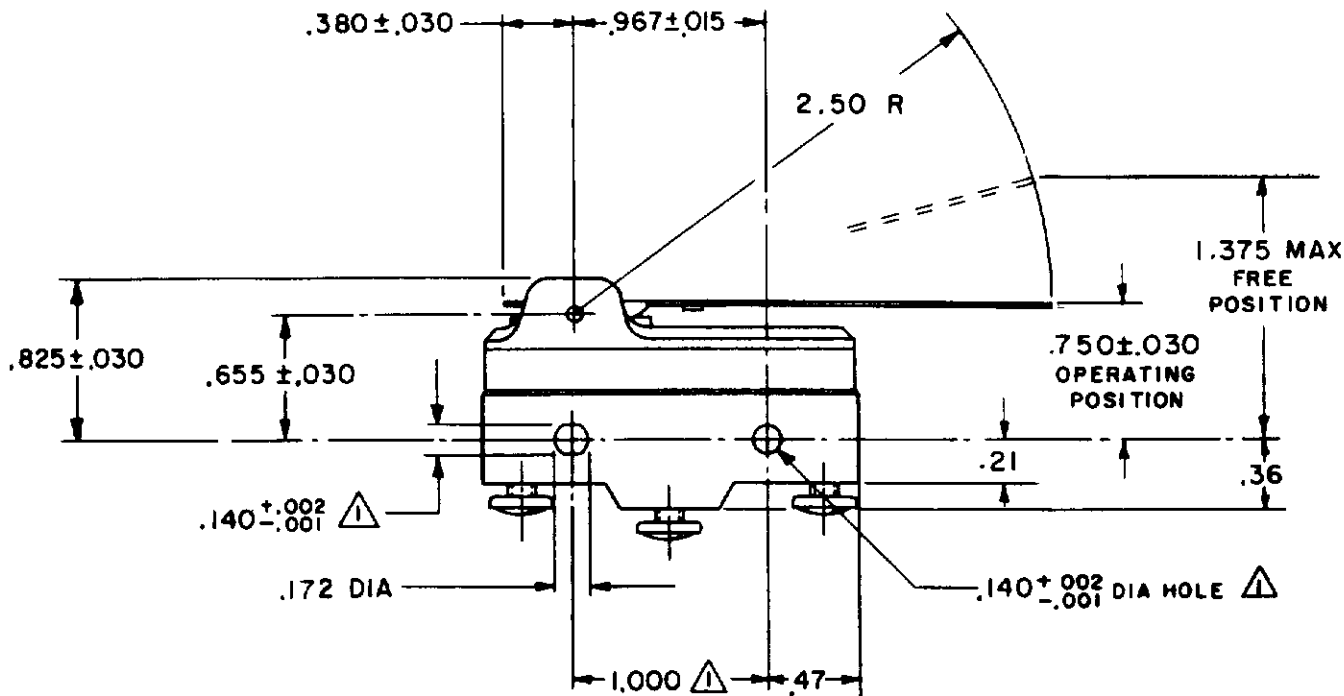
M

DRAWING NUMBER

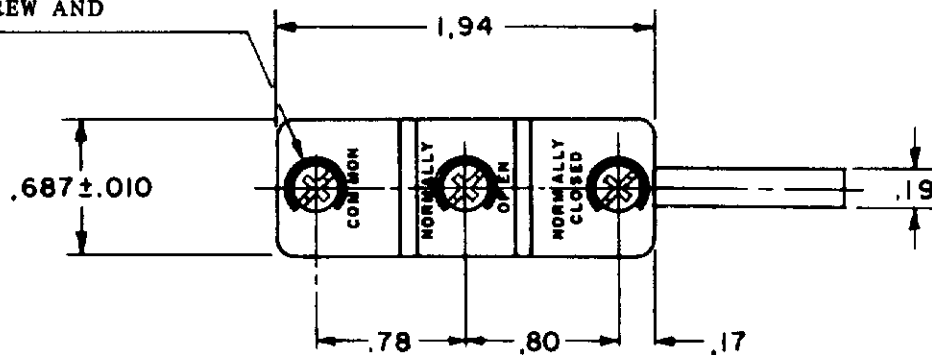
10

ISSUE

RELEASE NO. PR - 4426 REPLACES
CMH 04 SEP 09
CHECK
PSR 29 MAY 07
CHECK
PSR 16 JULY 62
CHECK
DAW 10 MAY 62
CHECK
MBF 10 MAY 62
CHECK



3X 6-32 UNC X (.219)
BINDING HEAD COMBINATION
TERMINAL SCREW AND
CUPWASHER



NOTE -

▲ - MOUNTING HOLES WILL ACCEPT PINS OR SCREWS OF .139 MAX DIA ON 1.000 ± .002 CENTERS

2 - SWITCH WILL WITHSTAND TEMPERATURE OF 250°F

THIS DRAWING COVERS A PROPRIETARY ITEM AND IS THE PROPERTY OF MICRO SWITCH, A DIVISION OF MINNEAPOLIS-HONEYWELL REGULATOR CO. THIS DRAWING IS NOT TO BE COPIED OR USED WITHOUT THE APPROVAL OF MICRO SWITCH.

CHARACTERISTICS

OPERATING FORCE---- 2 1/2 OZ MAX

RELEASE FORCE----- 1/2 OZ MIN

PRETRAVEL----- .625 MAX

DIFFERENTIAL TRAVEL---- .109 MAX

OVERTRAVEL----- .078 MIN

ELECTRICAL DATA

CONTACT ARRANGEMENT
S P D T

20A-125, 250 OR 480 VAC, 10A-125 VAC "L"
1HP-125 VAC, 2HP-250 VAC
CODE L23 B 1/2A - 125 VDC, 1/4A - 250 VDC

L288
L315
L308

20(3)A 250V T85 SE4

SCALE FULL

DO NOT SCALE PRINT

UNLESS OTHERWISE SPECIFIED DIMENSIONS ARE IN INCHES

TOLERANCES ARE:

ONE PLACE (0)	± .030
TWO PLACE (.00)	± .015
THREE PLACE (.000)	± .005
ANGLES	±

WEIGHT

RASTER

DRAWN

0-90378