

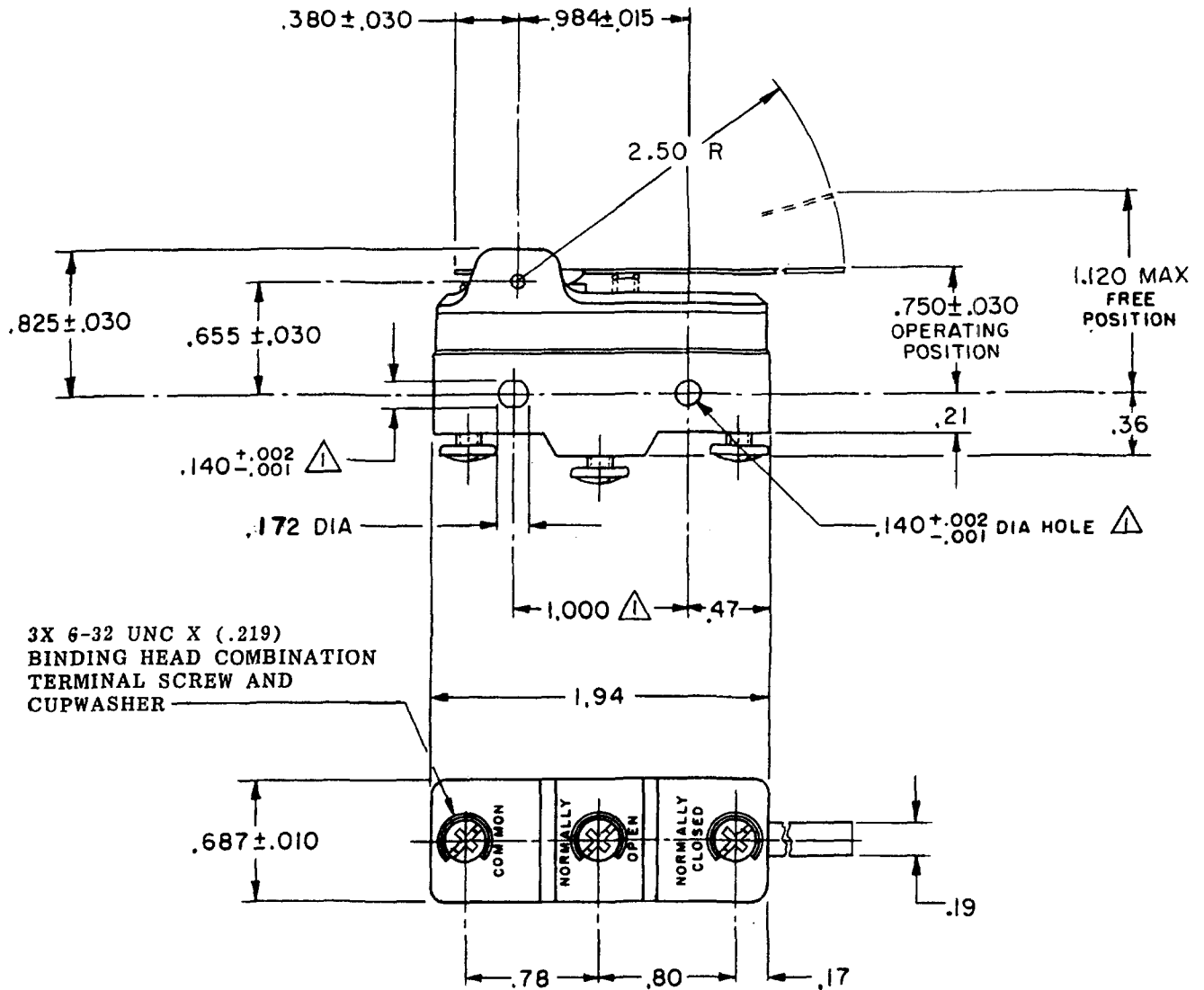
MICRO SWITCH

FREEPORT ILLINOIS, U.S.A
A DIVISION OF HONEYWELL
FED. MFG. CODE 91929

SWITCH - BASIC

CATALOG LISTING

BA-2RV191-A2



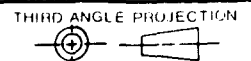
NOTE -
 MOUNTING HOLES WILL ACCEPT PINS OR SCREWS OF .139 MAX DIA ON 1.000 ± .002 CENTERS

M BA-2RV191-A2
 PAGE 1 OF 1
 DRAWING NUMBER
 ISSUE 7
 RELEASE NO. PR-6208
 REPLACES
 CHECK
 REVISIONS

A	CO	38387
K S W		
5 MAR 77		
B	CO	45511
T M M		
19 FEB 79		
C	CO-	73287-J
J A L		
22 NOV 93		
D	CO	77590
S A D		
9 JUN 94		
E	CO-	82886
J A L		
23 APR 96		
F	CO	93346
D L T		
26 AUG 98		

 CHECK
 30 NOV 76
 C E B
 DRAWN
 FORMTEK
 FO-52848-A
 R E R 24 NOV 76
 CHECK
 30 NOV 76
 C E B

THIS DRAWING COVERS A PROPRIETARY ITEM AND IS THE PROPERTY OF MICRO SWITCH, A DIVISION OF HONEYWELL. THIS DRAWING IS NOT TO BE COPIED OR USED WITHOUT THE APPROVAL OF MICRO SWITCH.



CHARACTERISTICS	
OPERATING FORCE	10 OZ MAX
RELEASE FORCE	3 1/4 OZ MIN
PRETRAVEL	.400 MAX
DIFFERENTIAL TRAVEL	.070 MAX
OVERTRAVEL	.050 MIN

ELECTRICAL DATA	
CONTACT ARRANGEMENT S P O T	
UL LISTED - FILE E1252	
20A-125, 250 OR 480 VAC; 10A-125 VAC "L"	
1HP-125 VAC; 2HP-250 VAC	
CODE L23 1/2A-125 VDC; 1/4A-250 VDC	
L288	
L299	
L308	
20(3)A 250V ~ T85 5E4	

SCALE FULL	
DO NOT SCALE PRINT	
TOLERANCES	
APPLY TO DESIGN UNITS. CONVERSIONS ARE ONLY FOR REFERENCE. UNLESS NOTED, TOLERANCES ARE ±	
DIM. mm	TOL. mm/in
NO PLACES	X
ONE PLACE	X,X
TWO PLACES	X,XX
THREE PLACES	X,XXX
ANGLES	
SI METRIC	US CUSTOMARY
DESIGN UNITS	<input type="checkbox"/> SI METRIC <input checked="" type="checkbox"/> US CUSTOMARY
WEIGHT .065 LB	