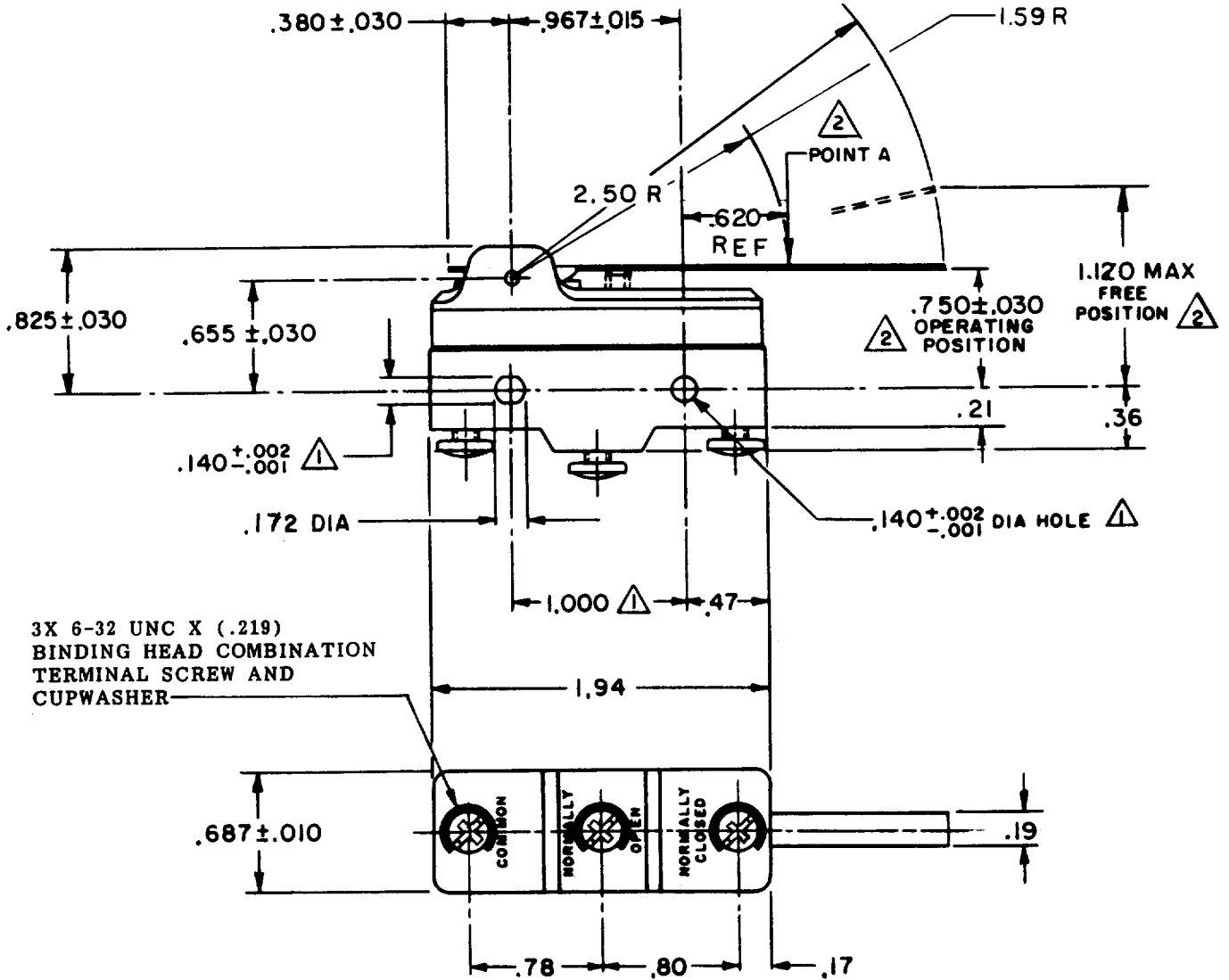


**BA-2RV136-A2**  
 PAGE 1 OF 1  
**M**  
 DRAWING NUMBER  
**9**  
 ISSUE  
 RELEASE NO. SR-12793  
 REPLACES



REVISIONS		CHECK
A	SR-12783	18 JAN 06
B	0023200	27 FEB 67
C	0023559	19 DEC 67
D	0026699	9 FEB 70
E	00173287-J	22 NOV 91
F	00177390	9 JUN 94
G	0093346	26 JAN 67
H	0018387	18 JAN 06

**NOTE**  
 ① - MOUNTING HOLES WILL ACCEPT PINS OR SCREWS OF .139 MAX DIA ON 1.000 ± .002 CENTERS  
 ② - CHARACTERISTICS MEASURED AT POINT A

THIS DRAWING COVERS A PROPRIETARY ITEM AND IS THE PROPERTY OF MICRO SWITCH, A DIVISION OF HONEYWELL. THIS DRAWING IS NOT TO BE COPIED OR USED WITHOUT THE APPROVAL OF MICRO SWITCH.

CHARACTERISTICS	SCALE
OPERATING FORCE - - - - 8 OZ MAX	FULL DO NOT SCALE PRINT UNLESS OTHERWISE NOTED DIMENSIONS ARE IN INCHES <b>TOLERANCES ARE:</b> ONE PLACE (.0) ±.030 TWO PLACE (.00) ±.015 THREE PLACE (.000) ±.005 ANGLES ±
RELEASE FORCE - - - - 5 3/4 OZ MIN	
PRETRAVEL - - - - .400 MAX	
DIFFERENTIAL TRAVEL - - .070 MAX	
OVERTRAVEL - - - - .050 MIN	

ELECTRICAL DATA
CONTACT ARRANGEMENT S P D T
L23 20A - 125, 250 OR 480 VAC 10A - 125 VAC "L" 1HP - 125 VAC, 2HP - 250 VAC 1/2A - 125 VDC, 1/4A - 250 VDC
L288 L308 L315
CE
20(3)A 250V ~ T85 5E4

SCALE
FULL
DO NOT SCALE PRINT
UNLESS OTHERWISE NOTED
DIMENSIONS ARE IN INCHES
<b>TOLERANCES ARE:</b>
ONE PLACE (.0) ±.030
TWO PLACE (.00) ±.015
THREE PLACE (.000) ±.005
ANGLES ±
WEIGHT .065 LB

FORMTEK  
 DRAWN  
 M B F 26 JAN 67  
 CHECK  
 L S D 26 JAN 67  
 CHECK  
 R J 18 JAN 06  
 CHECK  
 R J 19 DEC 67  
 CHECK  
 R J 9 FEB 70  
 CHECK  
 L S D 26 JAN 67  
 CHECK  
 R J 18 JAN 06  
 CHECK