

MICRO SWITCH
a Honeywell Division

FED. MF6. CODE 91929

SWITCH-BASIC

CATALOG LISTING

BA-2RV-P4

CATALOG LISTING
BA-2RV-P4
PAGE 1 OF 1
M
ISSUE 10

BA-2RV-P4
ISSUE 2

REPLACES

RELEASE NO.

CHECK

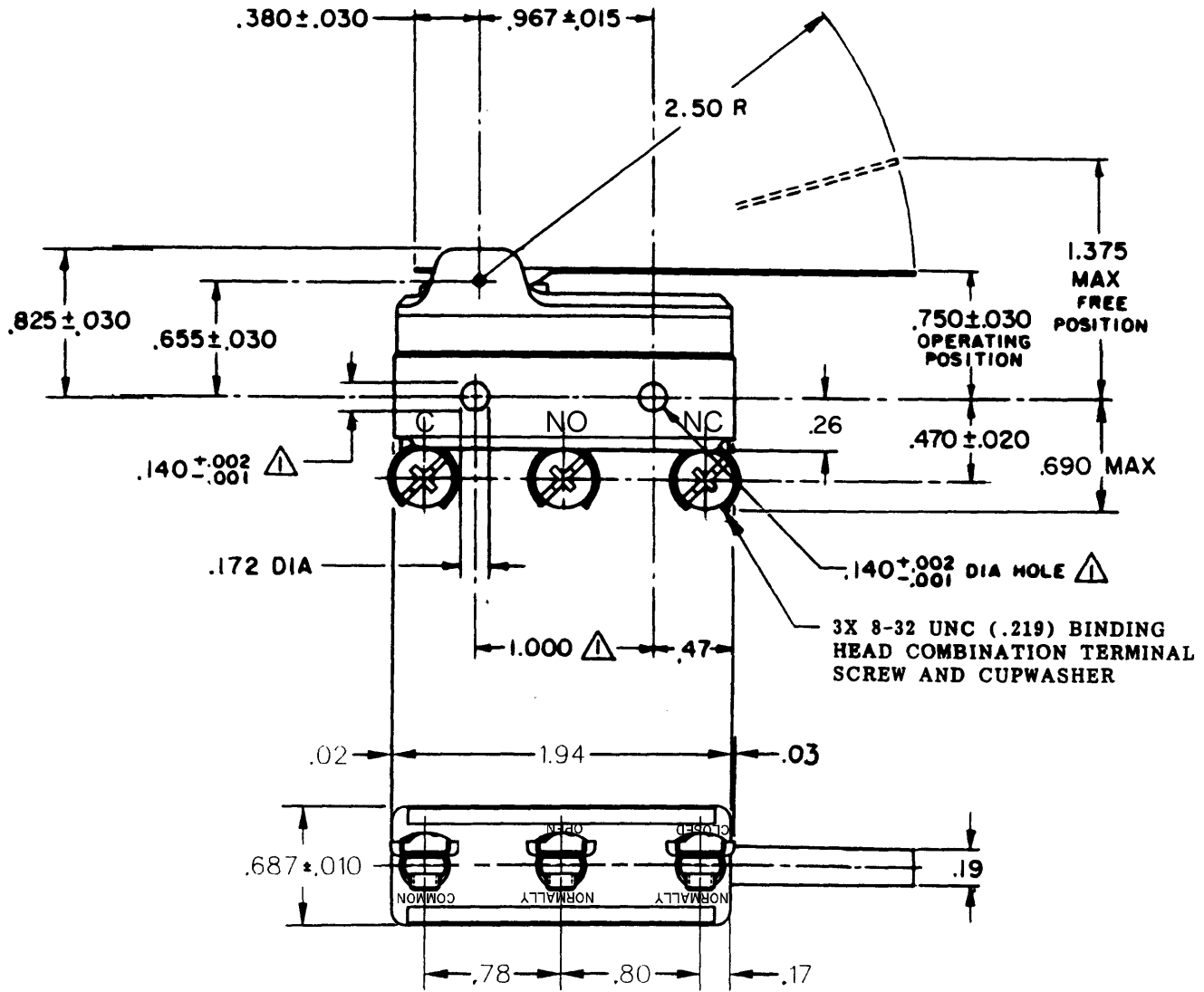
REVISIONS

A	CO-77863
	G J W 30 APR 96
B	C093346
	DLT 26 AUG 98
C	206988
	TSM 9 DEC 02

CHECK

CHECK

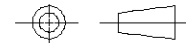
FORMTEK
DRAWN
G J W
30 APR 96



NOTE
▲ - MOUNTING HOLES WILL ACCEPT PINS OR SCREWS OF .139 MAX DIA ON 1.000 ± .002 CENTERS

THIS DRAWING COVERS A PROPRIETARY ITEM AND IS THE PROPERTY OF MICRO SWITCH, A DIVISION OF HONEYWELL. THIS DRAWING IS NOT TO BE COPIED OR USED WITHOUT THE APPROVAL OF MICRO SWITCH.

THIRD ANGLE PROJECTION



CHARACTERISTICS	ELECTRICAL DATA	SCALE FULL	DO NOT SCALE PRINT
OPERATING FORCE ----- 2 1/2 OZ MAX	CONTACT ARRANGEMENT S P D T	UNLESS OTHERWISE SPECIFIED TOLERANCES ARE ONE PLACE (.0) ± .030 TWO PLACE (.00) ± .015 THREE PLACE (.000) ± .005 ANGLES ± WEIGHT	
RELEASE FORCE ----- 1/2 OZ MIN	L23 UNDERWRITERS' LAB. INC. LISTED RATING 20A - 125, 250 OR 480 VAC 10A - 125 VAC "L" 1HP - 125 VAC, 2HP - 250 VAC 1/2A - 125 VDC, 1/4A - 250 VDC		
PRETRAVEL ----- .625 MAX	L288 L299 L308		
DIFFERENTIAL TRAVEL ----- .109 MAX	CE D SA		
OVERTRAVEL ----- .078 MIN	20(3)A 250V ~ T85 5E4		