

# MICRO SWITCH

A DIVISION OF HONEYWELL-INTERNATIONAL REGULATORY COMPANY  
 STAMFORD, CONNECTICUT  
 FED. MFR. CODE 91929

# SWITCH - BASIC

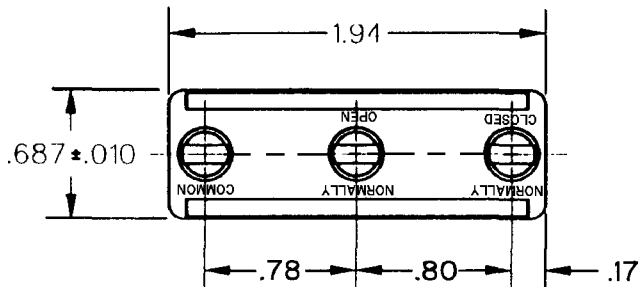
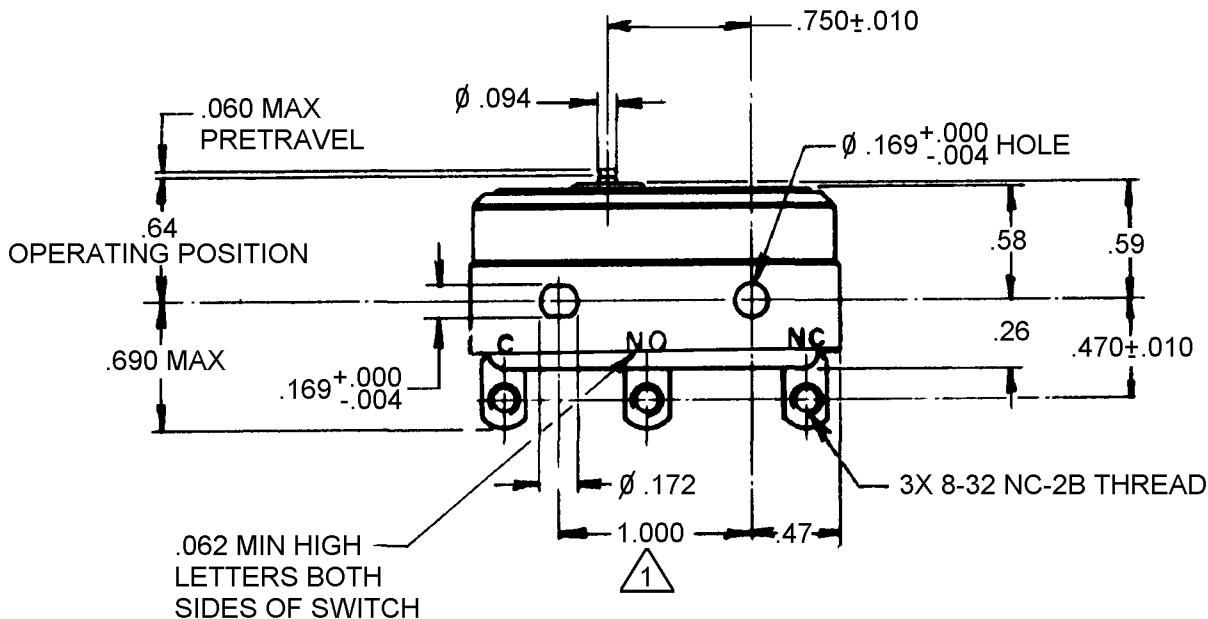
CATALOG LISTING

**BA-2R708-P7**

ABH2500

JG03349

CATALOG LISTING  
**BA-2R708-P7**  
 PAGE 1 OF 1  
**M**  
 ISSUE 10  
 RJ  
 20FEB06  
 RELEASE NO.  
 REPLACES  
 (M) BA-2R708-P7  
 ISSUE 1



NOTE  
 1 MOUNTING HOLES WILL ACCEPT PINS OR SCREWS OF  
 $\phi .165$  MAX ON  $1.000 \pm .002$  CENTERS

ANSI Y14.5M-1982 APPLIES

THIS DRAWING COVERS A PROPRIETARY ITEM AND IS THE PROPERTY OF MICRO SWITCH, A DIVISION OF HONEYWELL. THIS DRAWING IS NOT TO BE COPIED OR USED WITHOUT THE APPROVAL OF MICRO SWITCH.

### CHARACTERISTICS

OPERATING FORCE - - - - 14 - 22 OZ.  
 RELEASE FORCE - - - - 10 OZ. MIN.  
 DIFFERENTIAL TRAVEL - - - .002 - .0075  
 OVERTRAVEL - - - - .010 MIN

### ELECTRICAL DATA

CONTACT ARRANGEMENT  
**S.P.D.T.**

L23 20A 125, 250 OR 480 VAC  
 10A 125 VAC "L"  
 1HP 125 VAC, 2HP 250 VAC  
 1/2A 125 VDC, 1/4A 250 VDC

L288  
 L308  
 L315

CE

20(3)A 250V T85 5E4

### SCALE FULL

DO NOT SCALE PRINT

UNLESS OTHERWISE SPECIFIED  
 DIMENSIONS ARE IN INCHES  
**TOLERANCES ARE:**  
 ONE PLACE (.0)  $\pm .030$   
 TWO PLACE (.00)  $\pm .018$   
 THREE PLACE (.000)  $\pm .008$   
 ANGLES  $\pm$

WEIGHT .075 LB.

RASTER

FO-00376

DRAWN

K.F.M. 24 APR. 57  
 CHECK  
 CH  
 1 MAY 57  
 CHECK  
 GJW  
 6 NOV 95  
 CO-77863  
 GJW  
 3 MAY 96  
 G  
 C093346  
 DLT  
 22 AUG 98  
 H  
 204986  
 CSL  
 27 FEB 02  
 J  
 0018656  
 NM  
 20FEB06  
 CHECK

REVISIONS	
A	CO11431 K.F.M. 24 APR. 57
B	CO80748 V.E.S. 2 NOV 65
C	CO85429 J.A.P. 4 APR 90
D	CO-753878 S.A.V. J MAR 94
E	CO81374 GJW 6 NOV 95
F	CO-77863 GJW 3 MAY 96
G	C093346 DLT 22 AUG 98
H	204986 CSL 27 FEB 02
J	0018656 NM 20FEB06