

MICRO SWITCH

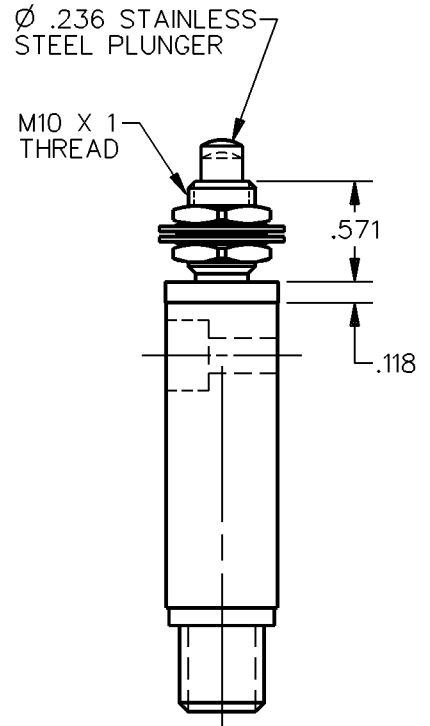
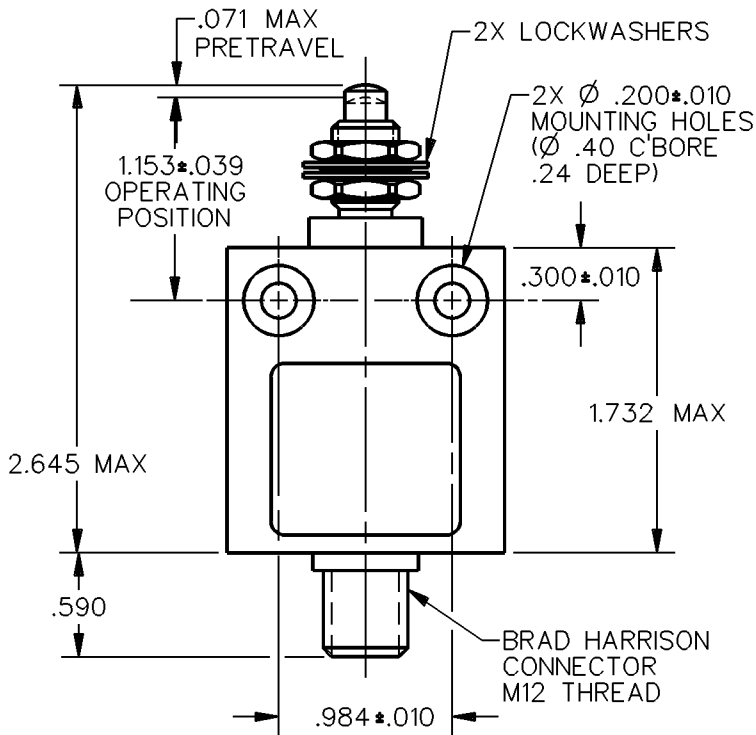
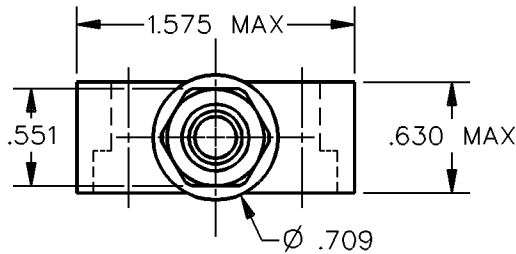
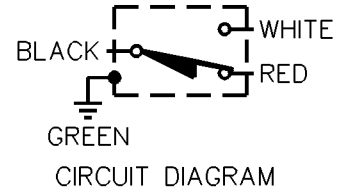
a Honeywell Division

FED. MFG. CODE 91929

SMALL PRECISION LIMIT SWITCH

CATALOG LISTING

914CE27-0



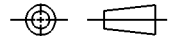
NOTES

- 1 - ZINC HOUSING FINISHED WITH GRAY PAINT
- 2 - SWITCH MOUNTS THRU A Ø.413 HOLE
- 3 - .165 MAX PANEL THICKNESS

ANSI Y14.5-1982 APPLIES

THIS DRAWING COVERS A PROPRIETARY ITEM AND IS THE PROPERTY OF MICRO SWITCH, A DIVISION OF HONEYWELL. THIS DRAWING IS NOT TO BE COPIED OR USED WITHOUT THE APPROVAL OF MICRO SWITCH.

THIRD ANGLE PROJECTION



CHARACTERISTICS	ELECTRICAL DATA	SCALE	FULL	DO NOT SCALE PRINT
		UNLESS OTHERWISE SPECIFIED TOLERANCES ARE		
OPERATING FORCE 2 LBS 10 1/2 OZ MAX	CONTACT ARRANGEMENT S P D T	ONE PLACE	(.0)	±.030
RELEASE FORCE — — — — 1.0 LB MIN		TWO PLACE	(.00)	±.015
DIFFERENTIAL TRAVEL — — — .004 MAX	5A 1/10HP 125 OR <u>250</u> VAC	THREE PLACE	(.000)	±.005
OVERTRAVEL — — — — .118 MIN		ANGLES		±
		WEIGHT		



DDM/CAD

DRAWN

TSM

14 JUN 91

CHECK

CHECK

REVISIONS

ISSUE

DRAWING NUMBER

M

914CE27-0

REPLACES

RELEASE NO. PR-19359