

**SMALL PRECISION
 LIMIT SWITCH**

914CE18-9A

914CE18-9A

M

DRAWING
 NUMBER

ISSUE

REVISIONS

REPLACES

RELEASE NO. PR-16613

CHECK

CHECK

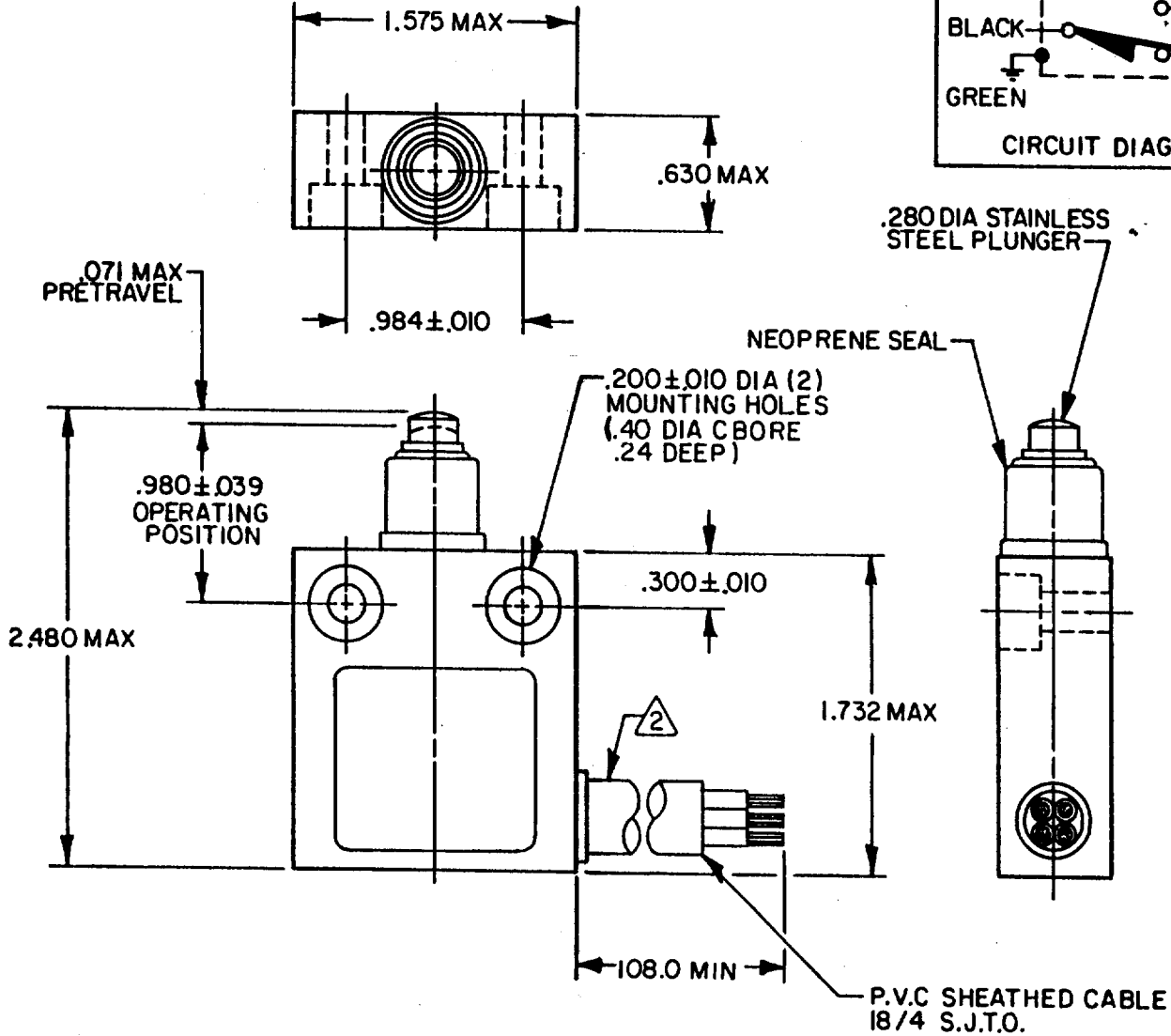
26 JUL 88

CHECK M.A.M.

25 JUL 88

FO-52848-B
 DRAWN

LJF



NOTE -
 1 - ZINC HOUSING FINISHED WITH GRAY PAINT
 2 - SIDE EXIT CABLE

THIS DRAWING COVERS A PROPRIETARY ITEM AND IS THE PROPERTY OF MICRO SWITCH, A DIVISION OF HONEYWELL. THIS DRAWING IS NOT TO BE COPIED OR USED WITHOUT THE APPROVAL OF MICRO SWITCH.

THIRD ANGLE PROJECTION

CHARACTERISTICS	
OPERATING FORCE	-----5 LB MAX
DIFFERENTIAL TRAVEL	-----.004 MAX
OVERTRAVEL	-----.118 MIN

ELECTRICAL DATA	
CONTACT ARRANGEMENT S P D T	
5A-125 OR 250 VAC 1/10 HP-125 OR 250 VAC	
UL	SA

SCALE FULL	DO NOT SCALE PRINT
UNLESS OTHERWISE SPECIFIED TOLERANCES ARE	
ONE PLACE (.0)	± .030
TWO PLACE (.00)	± .015
THREE PLACE (.000)	± .005
ANGLES	±
WEIGHT	