

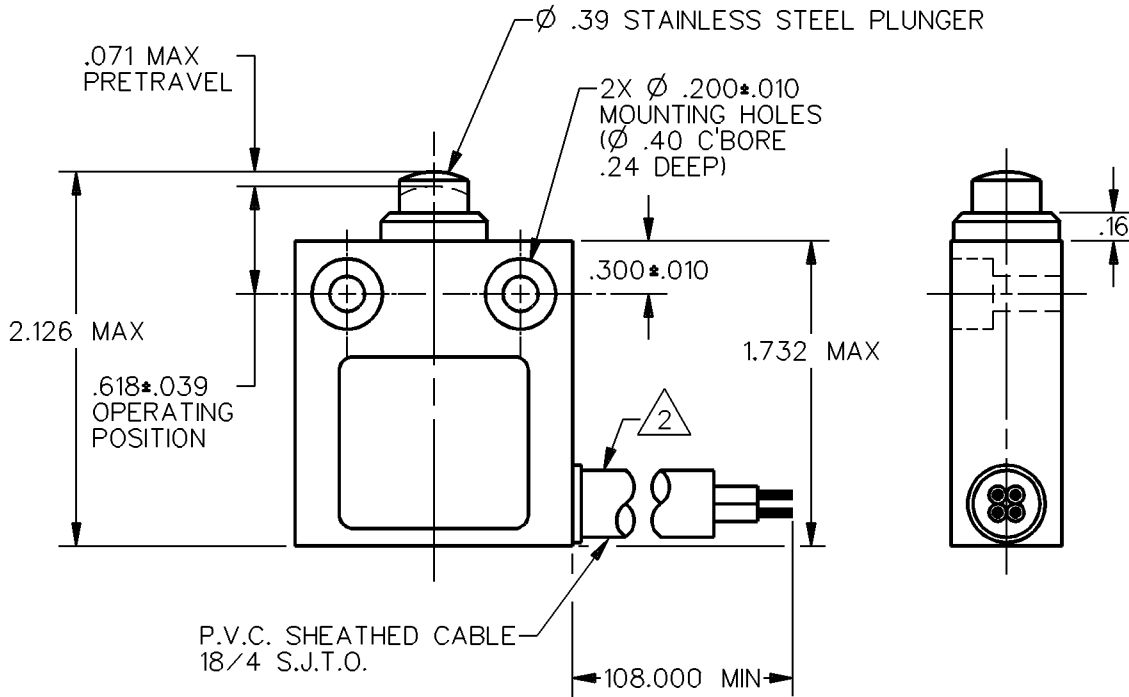
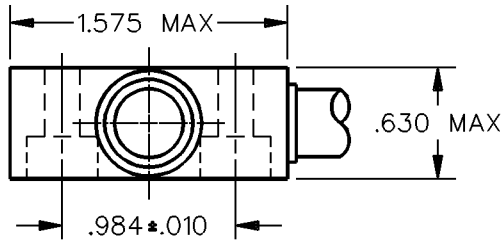
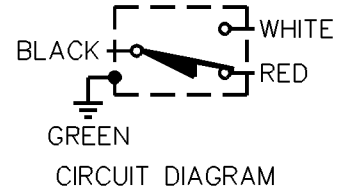
MICRO SWITCH
a Honeywell Division

FED. MFG. CODE 91929

MINIATURE PRECISION
LIMIT SWITCH

CATALOG LISTING

914CE1-9A

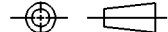


- NOTES
1 - ZINC HOUSING FINISHED WITH GRAY PAINT
2 - SIDE EXIT CABLE

ANSI Y14.5M-1982 APPLIES

THIS DRAWING COVERS A PROPRIETARY ITEM AND IS THE PROPERTY OF MICRO SWITCH, A DIVISION OF HONEYWELL. THIS DRAWING IS NOT TO BE COPIED OR USED WITHOUT THE APPROVAL OF MICRO SWITCH.

THIRD ANGLE PROJECTION



CHARACTERISTICS	ELECTRICAL DATA	SCALE FULL	DO NOT SCALE PRINT
OPERATING FORCE — — — 2.7 LB MAX	CONTACT ARRANGEMENT S P D T	UNLESS OTHERWISE SPECIFIED TOLERANCES ARE	
RELEASE FORCE — — — 1.0 LB MAX		ONE PLACE (.01) ± .030	
DIFFERENTIAL TRAVEL — — .004 MAX	5A - 250 VAC	TWO PLACE (.00) ± .015	
OVERTRAVEL — — — .118 MIN	1/10HP - 125 OR 250 VAC	THREE PLACE (.000) ± .005	
		ANGLES ±	
		WEIGHT	

914CE1-9A
 M
 DRAWING NUMBER
 1
 ISSUE
 REVISIONS
 CHECK
 CHECK
 DDM/CAD
 DRAWN
 S A V 29 AUG 91
 CHECK

REPLACES
 RELEASE NO. CO-69061