

MICRO SWITCH

A DIVISION OF MINNEAPOLIS-HONEYWELL REGULATOR COMPANY
 FREEPORT, ILLINOIS

FED. MFR. CODE 91929

PACKET

SKETCH 33114
 ISSUE 1

8PA42

M

DRAWING NUMBER

2

X

4

X

REPLACES

SR 9943

RELEASE NO.

14 NOV 61

6CH

CHECK

61 SEPT '61

61 SEPT '61

FWF

61 SEPT '61

61 SEPT '61

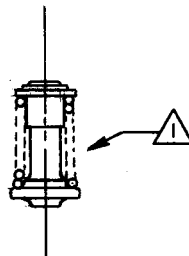
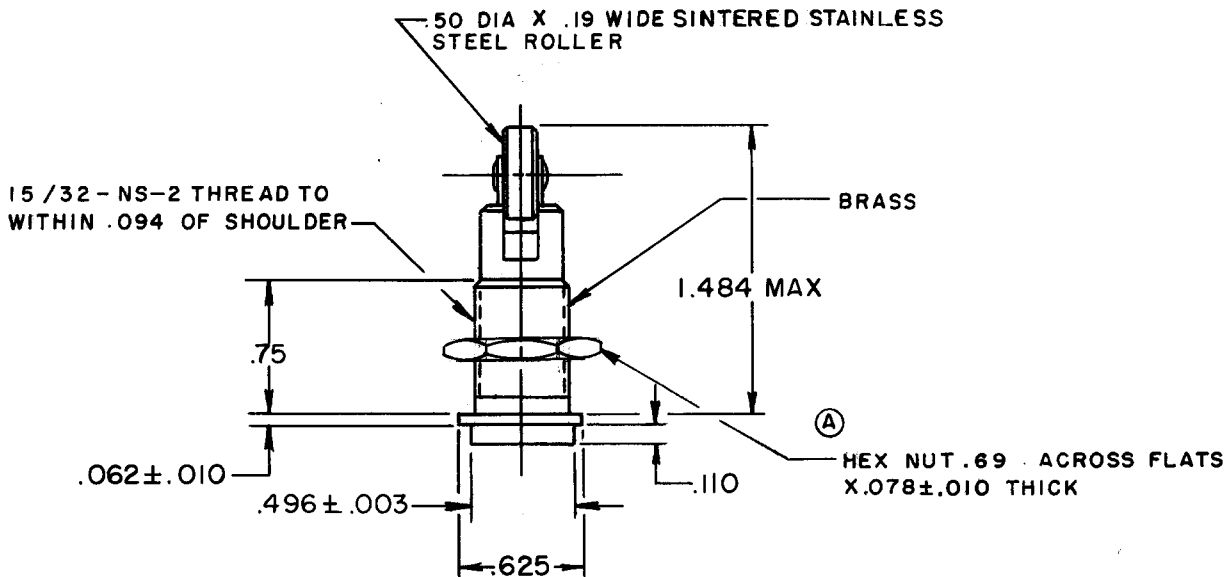
61 AUG 61

61 AUG 61

LSD

DRAWN

FO-5037B



NOTE -



OVERTRAVEL ASSEMBLY FURNISHED UNASSEMBLED FROM BUSHING ASSEMBLY

THIS DRAWING COVERS A PROPRIETARY ITEM AND IS THE PROPERTY OF MICRO SWITCH, A DIVISION OF MINNEAPOLIS-HONEYWELL REGULATOR CO. THIS DRAWING IS NOT TO BE COPIED OR USED WITHOUT THE APPROVAL OF MICRO SWITCH.

CHARACTERISTICS	ELECTRICAL DATA		SCALE FULL
	CONTACT ARRANGEMENT	BREAK DISTANCE	DO NOT SCALE PRINT
			UNLESS OTHERWISE SPECIFIED DIMENSIONS ARE IN INCHES
			TOLERANCES ARE:
			ONE PLACE (.0) ±.030
			TWO PLACE (.00) ±.015
			THREE PLACE (.000) ±.005
			ANGLES ±
			WEIGHT