

MICRO SWITCH

A DIVISION OF MINNEAPOLIS-HONEYWELL REGULATOR COMPANY
 FREEPORT, ILLINOIS

FED. MFR. CODE 91929

SWITCH-BASIC

CATALOG LISTING

8AS42 ★

S

8AS42

M

DRAWING NUMBER

X

X

ISSUE

4

REPLACES

RELEASE NO. SR 924B

CHECK

CHECK

27 SEP 60

CHECK

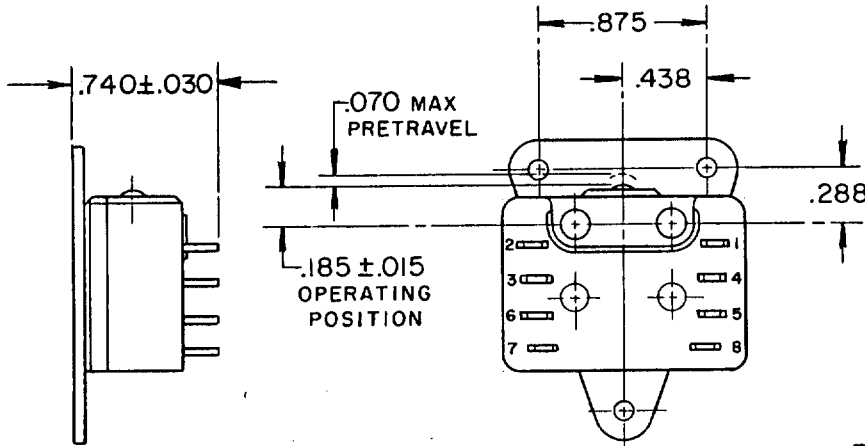
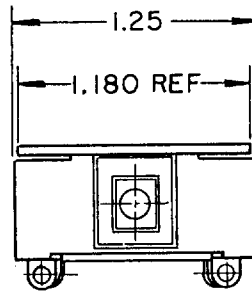
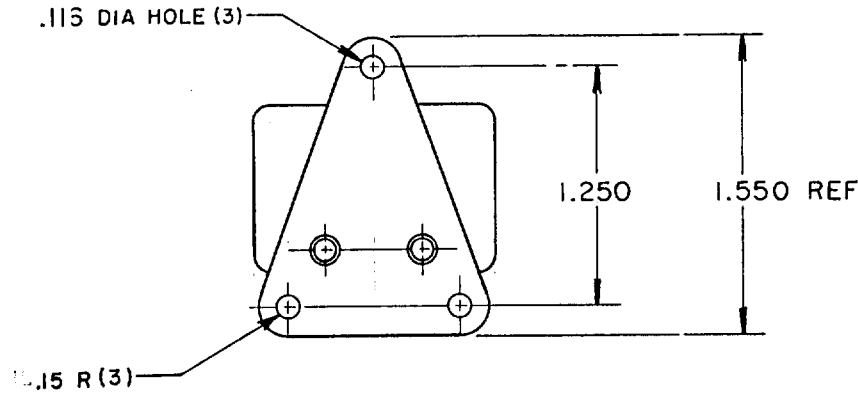
26, SEP '60

DRAWN

D A W

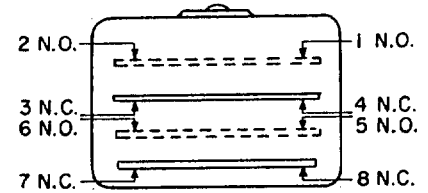
REVISIONS

A	CO15229	M B F	1 OCT 60
B	CO31507	R E R	21 DEC 72
C	CO73349	DAW	14 JUN 93



NOTE -

- 1 - TERMINALS ARE PLATED FOR SOLDERING
- 2 - TERMINALS 1 & 2 ALSO 5 & 6 NORMALLY OPEN CIRCUITS
- 3 - TERMINALS 3 & 4 ALSO 7 & 8 NORMALLY CLOSED CIRCUITS
- 4 - SWITCH WILL WITHSTAND TEMPERATURE OF 300° F
- ⑤ 5 - INSULATOR (PART NUMBER LS-10653) AND SCREWS (PART NUMBER LS-10203) (3) FURNISHED UNASSEMBLED



CIRCUIT DIAGRAM

THIS DRAWING COVERS A PROPRIETARY ITEM AND IS THE PROPERTY OF MICRO SWITCH, A DIVISION OF MINNEAPOLIS-HONEYWELL REGULATOR CO. THIS DRAWING IS NOT TO BE COPIED OR USED WITHOUT THE APPROVAL OF MICRO SWITCH.

CHARACTERISTICS

OPERATING FORCE	20-36 OZ
RELEASE FORCE	8 OZ MIN
DIFFERENTIAL TRAVEL	.025-.045
OVERTRAVEL	.010 MIN
BASIC SWITCH	4ITB5-3

ELECTRICAL DATA

CONTACT ARRANGEMENT SEE CIRCUIT DIAGRAM	BREAK DISTANCE (2).015 MIN (EACH CIRCUIT)
--	---

UL RECOGNIZED - FILE E12252
 CODE L25 10A-125 OR 250 VAC
 1/2 HP-125 VAC

SCALE FULL

DO NOT SCALE PRINT

UNLESS OTHERWISE SPECIFIED DIMENSIONS ARE IN INCHES
TOLERANCES ARE:

ONE PLACE	(.0)	±.030
TWO PLACE	(.00)	±.015
THREE PLACE	(.000)	±.005
ANGLES		±

WEIGHT

