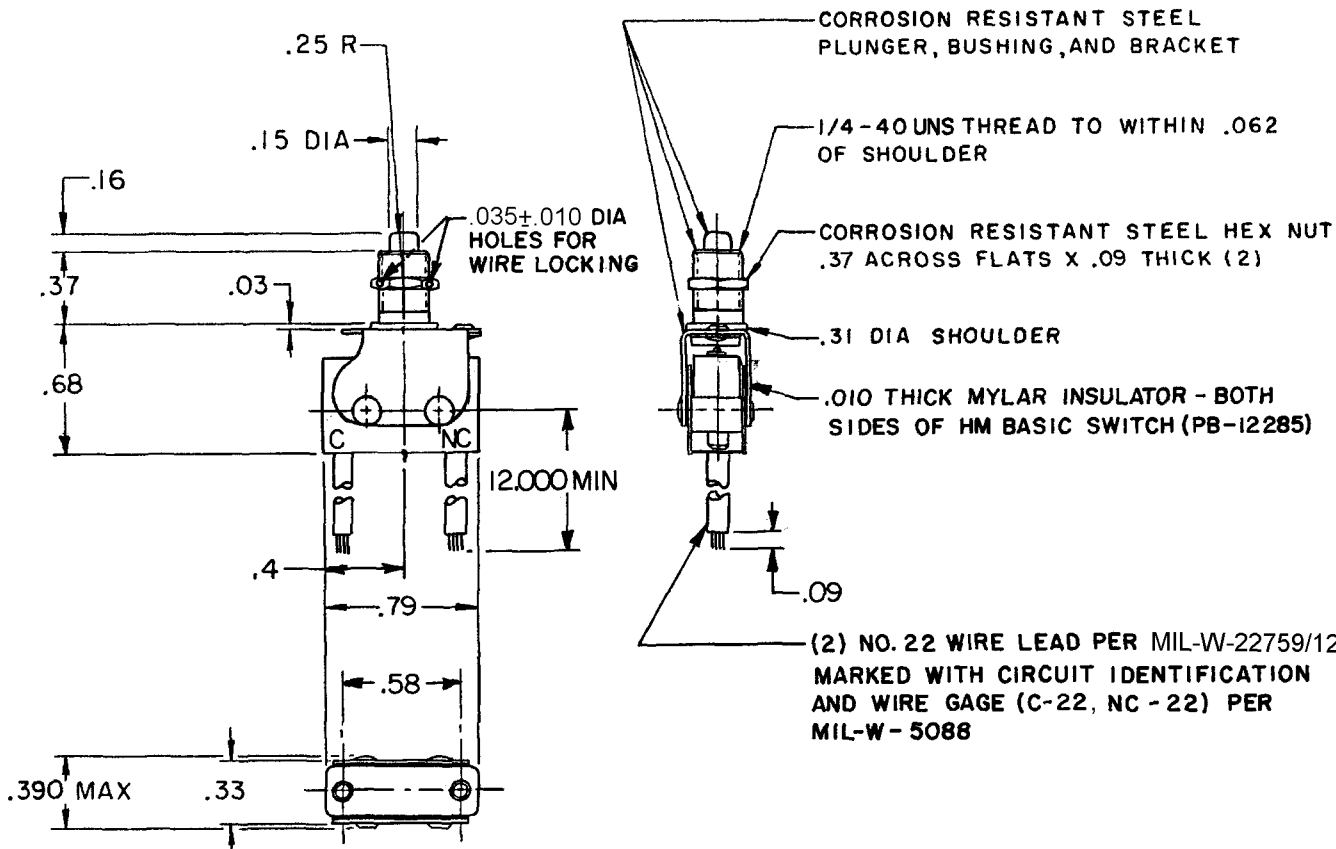


CATALOG LISTING
701PB580
 PAGE 1 OF 1
 RELEASE NO. PR-14999 REPLACES
 CHECK
 REVISIONS
 A PR 14999
 JAS 21 AUG 86
 B C077562
 J A L 13 MAR 94
 C CO-20905
 J J A 7 JUN 95
 D 201411
 CSL 2 OCT 00
 E 204268
 CSL 29 OCT 01
 CHECK KAG 22 AUG 86
 DRAWN
 J A S 21 AUG 86
 RASTER
 FO-52848-A



NOTE -
 1 - UNIT INCLUDES CAT. LIST. "6HM" TYPE BASIC SWITCH
 2 - TERMINALS ARE PLATED FOR SOLDERING
 3 - RECOMMENDED FOR MANUAL OPERATION ONLY
 4 - UNIT WILL WITHSTAND TEMPERATURES OF 500°F

THIS DRAWING COVERS A PROPRIETARY ITEM AND IS THE PROPERTY OF MICRO SWITCH, A DIVISION OF HONEYWELL. THIS DRAWING IS NOT TO BE COPIED OR USED WITHOUT THE APPROVAL OF MICRO SWITCH.

THIRD ANGLE PROJECTION

CHARACTERISTICS	ELECTRICAL DATA			SCALE	FULL																											
OPERATING FORCE ----- 1 LB APPROX	CONTACT ARRANGEMENT S P N C			DO NOT SCALE PRINT																												
OVERTRAVEL----- .135 APPROX	LINE VOLTAGE	INDUCTIVE LOAD	RESISTIVE LOAD	TOLERANCES APPLY TO DESIGN UNITS. CONVERSIONS ARE ONLY FOR REFERENCE. UNLESS NOTED, TOLERANCES ARE ±																												
	28 VDC	2 AMP	4 AMP	<table border="1"> <tr> <td>DIM.</td> <td>TOL.</td> <td>DIM.</td> <td>TOL.</td> </tr> <tr> <td>mm</td> <td>mm/in</td> <td>in</td> <td>mm/in</td> </tr> <tr> <td>NO PLACES</td> <td>X</td> <td>1/.04</td> <td></td> </tr> <tr> <td>ONE PLACE</td> <td>X,X</td> <td>0.4/.016</td> <td>X,X 0.5/.03</td> </tr> <tr> <td>TWO PLACES</td> <td>X,XX</td> <td>0.15/.008</td> <td>X,XX 0.38/.015</td> </tr> <tr> <td>THREE PLACES</td> <td>X,XXX</td> <td></td> <td>X,XXX 0.13/.006</td> </tr> <tr> <td>ANGLES</td> <td></td> <td></td> <td></td> </tr> </table>		DIM.	TOL.	DIM.	TOL.	mm	mm/in	in	mm/in	NO PLACES	X	1/.04		ONE PLACE	X,X	0.4/.016	X,X 0.5/.03	TWO PLACES	X,XX	0.15/.008	X,XX 0.38/.015	THREE PLACES	X,XXX		X,XXX 0.13/.006	ANGLES		
DIM.	TOL.	DIM.	TOL.																													
mm	mm/in	in	mm/in																													
NO PLACES	X	1/.04																														
ONE PLACE	X,X	0.4/.016	X,X 0.5/.03																													
TWO PLACES	X,XX	0.15/.008	X,XX 0.38/.015																													
THREE PLACES	X,XXX		X,XXX 0.13/.006																													
ANGLES																																
	115 VAC (400 CYCLE)	2 1/2 AMP	2 1/2 AMP	DESIGN UNITS	SI METRIC <input type="checkbox"/> US CUSTOMARY <input checked="" type="checkbox"/>																											
	WEIGHT																															

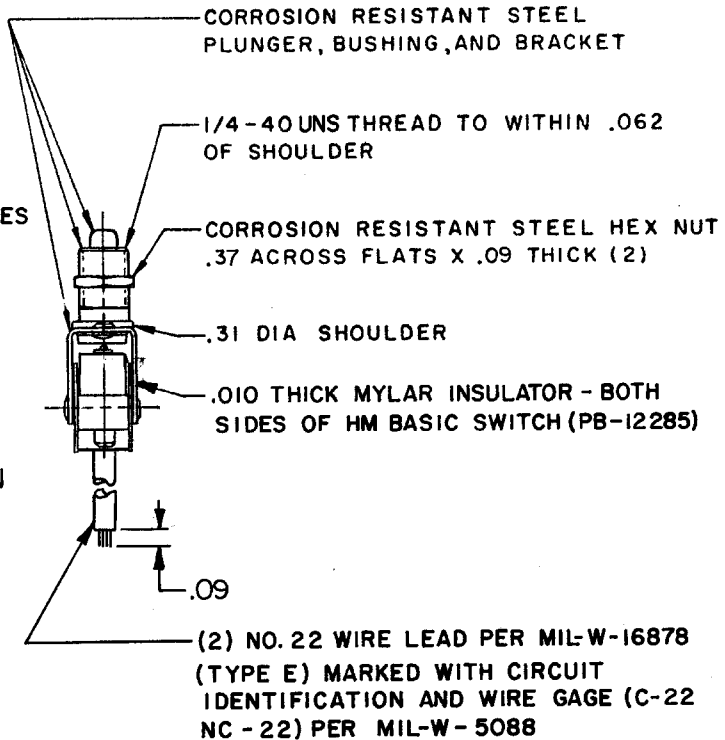
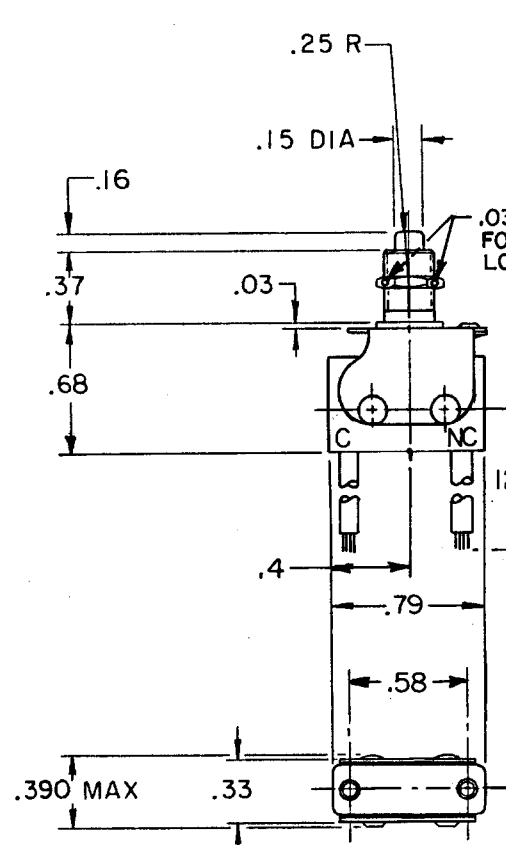
MICRO SWITCH

FREEMONT ILLINOIS, U.S.A
A DIVISION OF HONEYWELL
FED. MFG. CODE 9 1929

ASSEMBLY - PUSHBUTTON SWITCH

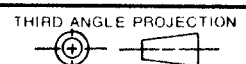
CATALOG LISTING
701PB580

M 701PB580
 DRAWING NUMBER
 ISSUE 4
 REVISIONS
 A PR 14999
 JAS 21 AUG 86
 B C077562
 J A L 13 MAR 94
 C C0905
 J J A 7 JUN 95
 CHECK KAG 22 AUG 86
 DRAWN J A S 21 AUG 86
 FO-52848-A



- NOTE -
- 1 - UNIT INCLUDES CAT. LIST. "6HM" TYPE BASIC SWITCH
 - 2 - TERMINALS ARE PLATED FOR SOLDERING
 - 3 - RECOMMENDED FOR MANUAL OPERATION ONLY
 - 4 - UNIT WILL WITHSTAND TEMPERATURES OF 500°F

THIS DRAWING COVERS A PROPRIETARY ITEM AND IS THE PROPERTY OF MICRO SWITCH, A DIVISION OF HONEYWELL. THIS DRAWING IS NOT TO BE COPIED OR USED WITHOUT THE APPROVAL OF MICRO SWITCH.



CHARACTERISTICS	ELECTRICAL DATA			SCALE FULL																								
	LINE VOLTAGE	INDUCTIVE LOAD	RESISTIVE LOAD	DO NOT SCALE PRINT																								
OPERATING FORCE ----- 1 LB APPROX	CONTACT ARRANGEMENT S P N C			TOLERANCES																								
OVERTRAVEL ----- .135 APPROX	28 VDC	2 AMP	4 AMP	APPLY TO DESIGN UNITS. CONVERSIONS ARE ONLY FOR REFERENCE. UNLESS NOTED, TOLERANCES ARE ±																								
	115 VAC (400 CYCLE)	2 1/2 AMP	2 1/2 AMP	<table border="1"> <tr> <td>DIM. mm</td> <td>TOL. mm/in</td> <td>DIM. in</td> <td>TOL. mm/in</td> </tr> <tr> <td>NO PLACES</td> <td>X</td> <td>1/04</td> <td>X X</td> </tr> <tr> <td>ONE PLACE</td> <td>X,X</td> <td>0.4/018</td> <td>X.XX</td> </tr> <tr> <td>TWO PLACES</td> <td>X,X,X</td> <td>0.15/.008</td> <td>X.XXX</td> </tr> <tr> <td>THREE PLACES</td> <td>X,X,X,X</td> <td></td> <td>X.XXXX</td> </tr> <tr> <td>ANGLES</td> <td></td> <td></td> <td></td> </tr> </table>		DIM. mm	TOL. mm/in	DIM. in	TOL. mm/in	NO PLACES	X	1/04	X X	ONE PLACE	X,X	0.4/018	X.XX	TWO PLACES	X,X,X	0.15/.008	X.XXX	THREE PLACES	X,X,X,X		X.XXXX	ANGLES		
DIM. mm	TOL. mm/in	DIM. in	TOL. mm/in																									
NO PLACES	X	1/04	X X																									
ONE PLACE	X,X	0.4/018	X.XX																									
TWO PLACES	X,X,X	0.15/.008	X.XXX																									
THREE PLACES	X,X,X,X		X.XXXX																									
ANGLES																												
			SI METRIC	US CUSTOMARY																								
			DESIGN UNITS <input type="checkbox"/>	<input checked="" type="checkbox"/>																								
WEIGHT																												