

# MICRO SWITCH

FREEPORT ILLINOIS, U.S.A  
A DIVISION OF HONEYWELL

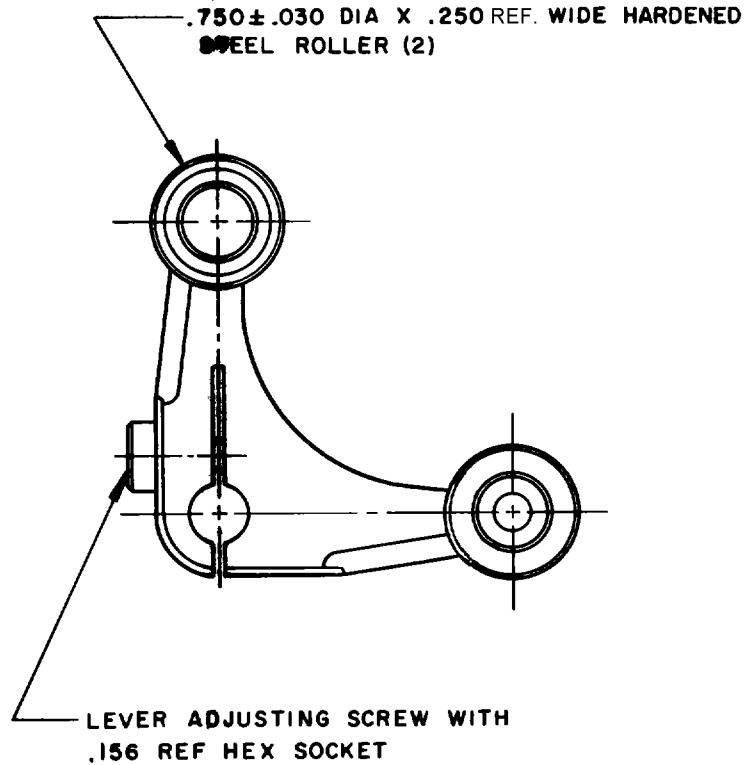
FED. MFG. CODE 91929

# PACKET

CATALOG LISTING

# 6PA82

6PA82		REPLACES
M	DRAWING NUMBER	RELEASE NO. PR-640
ISSUE	5	CHECK
REVISIONS		
A	APR 640	CHECK
DLF 15 APR 69		24OCT08
B	C025962	BLR
DLF 17 JUN 69		CHECK
C	0045165	15APR69
JA 24OCT08		CHECK
DRAWN		
DLF 15 APR 69		



THIS DRAWING COVERS A PROPRIETARY ITEM AND IS THE PROPERTY OF MICRO SWITCH, A DIVISION OF HONEYWELL. THIS DRAWING IS NOT TO BE COPIED OR USED WITHOUT THE APPROVAL OF MICRO SWITCH.

### CHARACTERISTICS

OPERATING FORCE  
DIFFERENTIAL FORCE  
RELEASE FORCE  
PRETRAVEL  
DIFFERENTIAL TRAVEL  
OVERTRAVEL  
FREE POSITION

### ELECTRICAL DATA

CONTACT ARRANGEMENT

### SCALE

DO NOT SCALE PRINT

UNLESS OTHERWISE NOTED

DIMENSIONS ARE IN INCHES

TOLERANCES ARE:

ONE PLACE	(.0)	±.030
TWO PLACE	(.00)	±.015
THREE PLACE	(.000)	±.005
ANGLES		±.005

WEIGHT

RASTER

FO-80378-1A