

MICRO SWITCH

FREEPORT, ILLINOIS, U.S.A.
A DIVISION OF HONEYWELL INC.

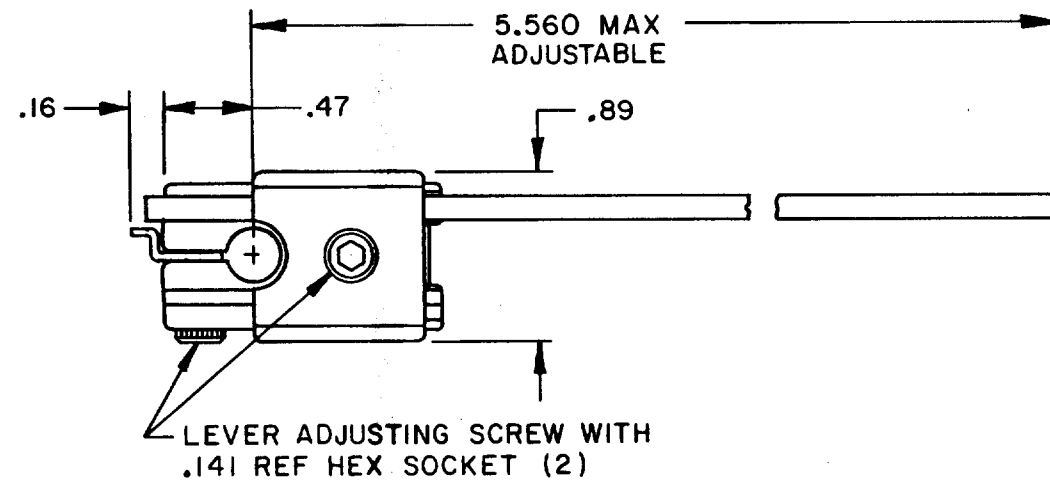
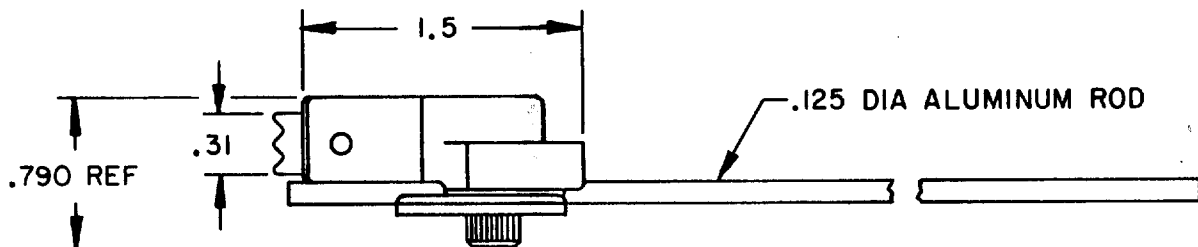
FED. MFG. CODE 91929

PACKET

CATALOG LISTING

6PA43 ★

THIS DRAWING COVERS A PROPRIETARY ITEM AND IS THE PROPERTY OF MICRO SWITCH. A DIVISION OF HONEYWELL. THIS DRAWING IS NOT TO BE COPIED OR USED WITHOUT THE APPROVAL OF MICRO SWITCH.



6PA43
M
DRAWING NUMBER
7
ISSUE
RELEASE NO. SR-6392
REPLACES
CHECK
CHECK
REVISIONS
A CO-62057
S. J. S. II AUG 87
DRAWN
S. J. S. II AUG 87
CHECK
FO-92680-C01

THIRD ANGLE PROJECTION	
SCALE	FULL
DO NOT SCALE PRINT	
UNLESS OTHERWISE SPECIFIED TOLERANCES ARE	
ONE PLACE	(.0) ± .030
TWO PLACE	(.00) ± .015
THREE PLACE	(.000) ± .005
ANGLES	±