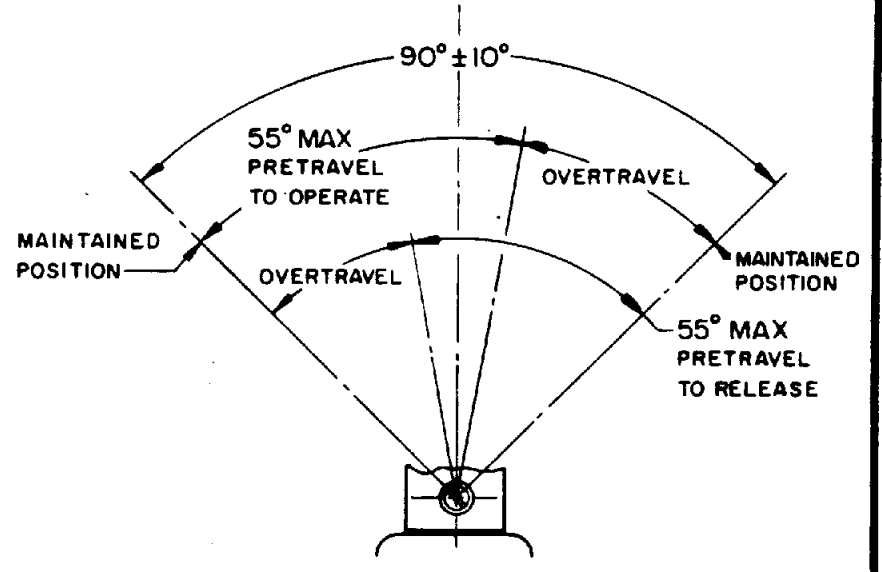
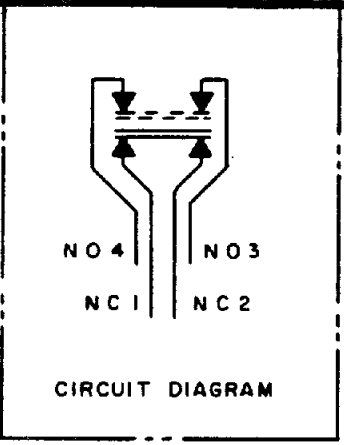
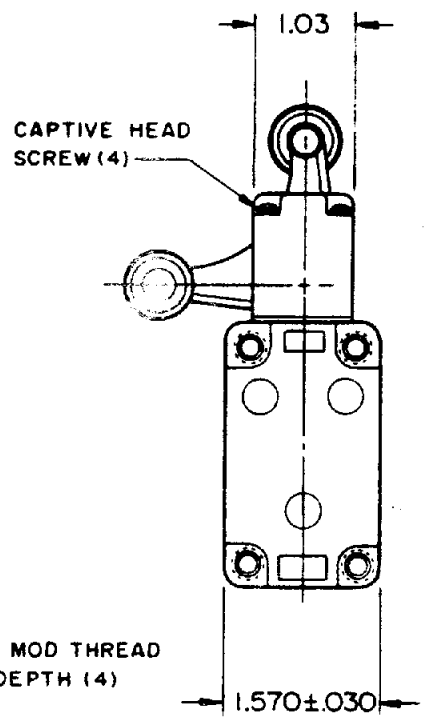
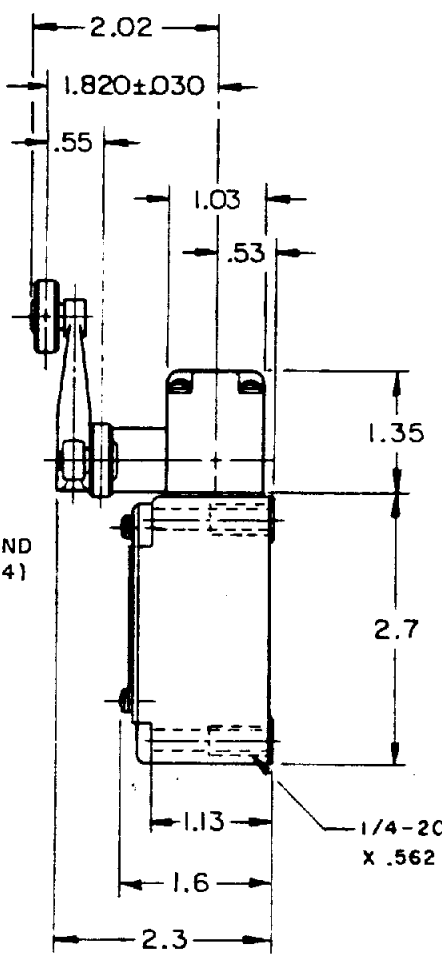
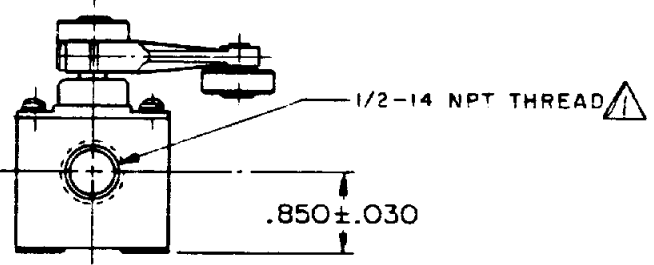
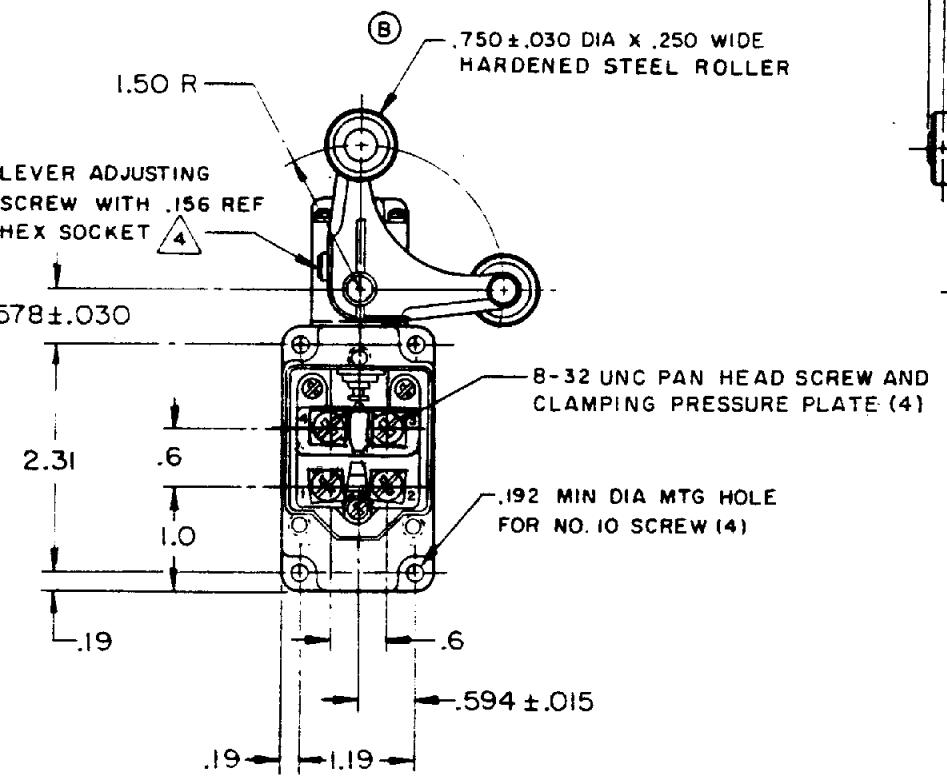
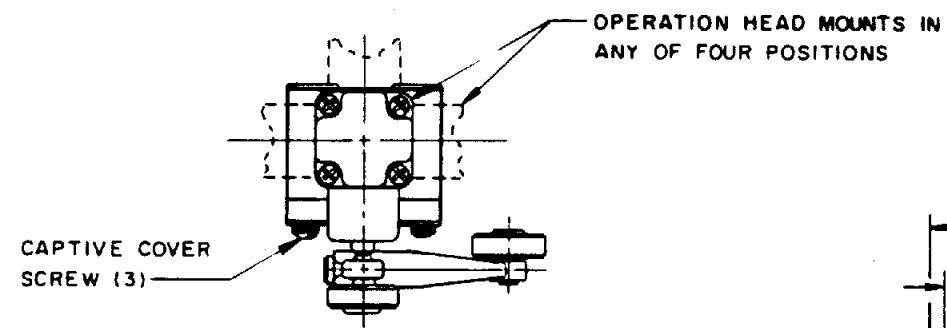


FO-80378-003
 DRAWN
 RES 11 JUNE 64
 CHECK
 DAW 23 JUNE 64
 CHECK
 11 JUNE 64
 DRAWING NUMBER
M
6LS1
 REPLACES
 ISSUE
 14
 REVISIONS
 A CO18388
 CO18785
 RES
 10 JUNE 64
 B CO20673
 M B T
 25 APR 66
 C CO23403
 M B S
 25 SEP 68
 D CO25152
 G C H
 22 APR 69
 E CO
 50952-G
 W J M
 25 JUN 83
 F CO
 53005-D
 C J H
 1 AUG 84
 G CO57786-B
 C J H
 14 FEB 86
 H CO
 65614-E
 G R T
 20 NOV 90
 J CO-
 77031
 J D B
 22 DEC 93



- NOTES:
- 1 - SEAL TO BE FURNISHED BY USER
 - 2 - ROLLER LEVER MAY BE LOCKED IN ANT POSITION THRU 360°
 - 3 - ROLLER LEVER FURNISHED UNASSEMBLED IN UNIT PACKING BOX

THIS DRAWING COVERS A PROPRIETARY ITEM AND IS THE PROPERTY OF MICRO SWITCH, A DIVISION OF MINNEAPOLIS-HONEYWELL REGULATOR CO. THIS DRAWING IS NOT TO BE COPIED OR USED WITHOUT THE APPROVAL OF MICRO SWITCH.		
CHARACTERISTICS	ELECTRICAL DATA	SCALE 1/2 TO 1
OPERATING TORQUE --- 3 IN-LB MAX	CONTACT ARRANGEMENT (SEE CIRCUIT DIAGRAM)	DO NOT SCALE PRINT
SWITCH-BASIC REPLACEMENT --- 2MNI	10A-120, 240, OR 480 VAC, 1/3 HP - 120 VAC 3/4 HP - 240 VAC; 0.8A - 115 VDC; 0.4A - 230 VDC .1A - 550 VDC PILOT DUTY: 600 VAC MAX	UNLESS OTHERWISE NOTED DIMENSIONS ARE IN INCHES TOLERANCES ARE: ONE PLACE (.0) ±.030 TWO PLACE (.00) ±.015 THREE PLACE (.000) ±.003 ANGLES ±
		WEIGHT