

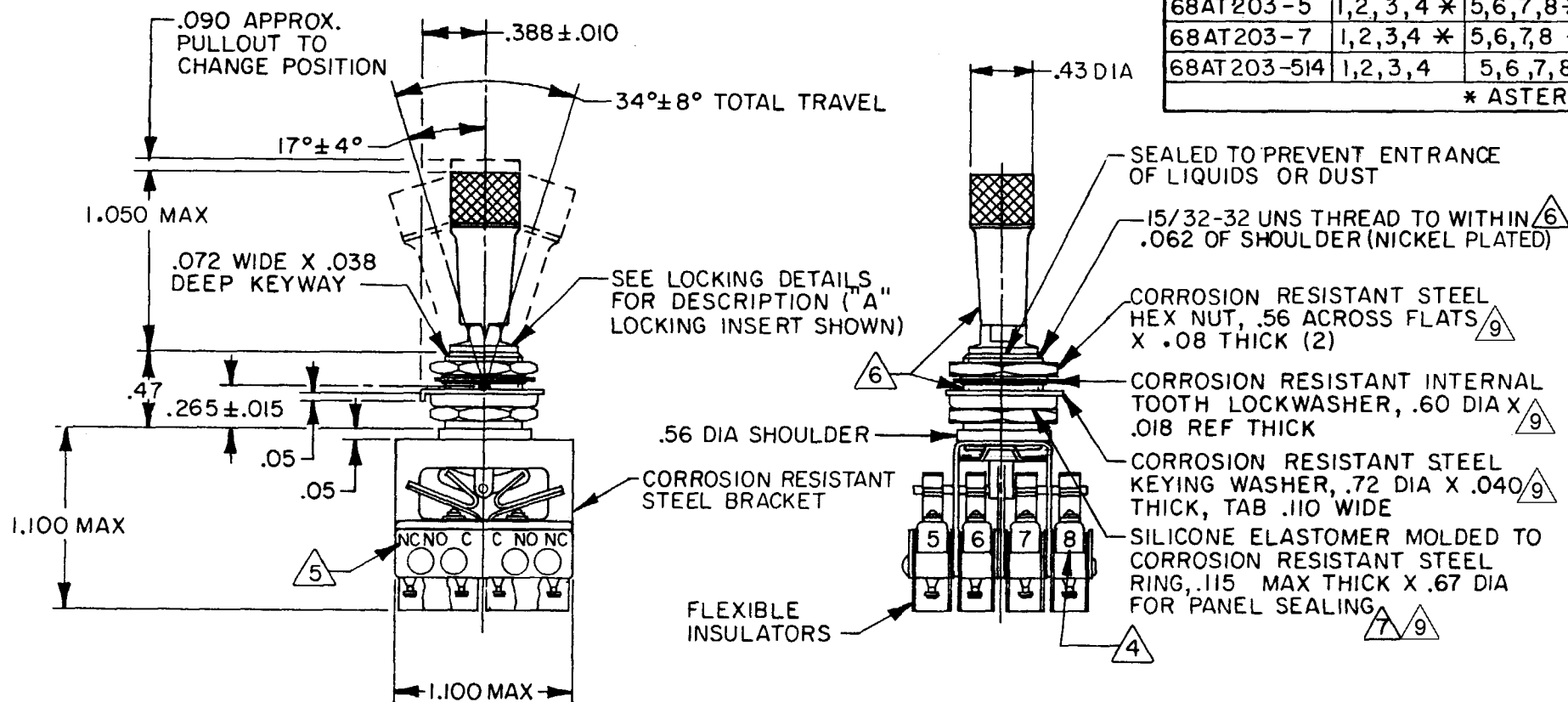
MICRO SWITCH
 FREEPORT, ILLINOIS, U.S.A.
 A DIVISION OF HONEYWELL
 FED. MFG. CODE 91929

**ASSEMBLY -
 TOGGLE SWITCH**

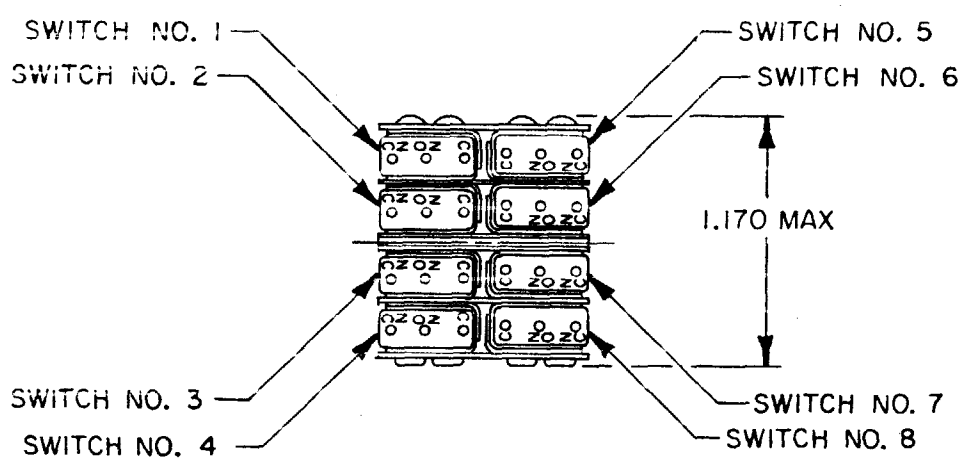
CATALOG LISTING
**68AT203 SERIES
 CHART 2**

CATALOG LISTING ⁸	KEYWAY POSITION		CENTER POSITION		OPPOSITE KEYWAY POSITION		RECOMMENDED LOCKING COMBINATIONS
	C-NC	C-NO	C-NC	C-NO	C-NC	C-NO	
68AT203-1	1,2,3,4	5,6,7,8	ALL	NONE	5,6,7,8	1,2,3,4	A,B,C,D,E,F,G,H,I,J,K,L,M,N,P
68AT203-3	1,2,3,4	5,6,7,8	NONE	NONE	5,6,7,8	1,2,3,4	D, F, G
68AT203-5	1,2,3,4 *	5,6,7,8 *	ALL	NONE	5,6,7,8	1,2,3,4	E, F, K, L, M, N
68AT203-7	1,2,3,4 *	5,6,7,8 *	ALL	NONE	5,6,7,8 *	1,2,3,4 *	E, L, N
68AT203-514	1,2,3,4	5,6,7,8	ALL	NONE	5,6,7,8 *	1,2,3,4 *	B, E, G, L, N, P

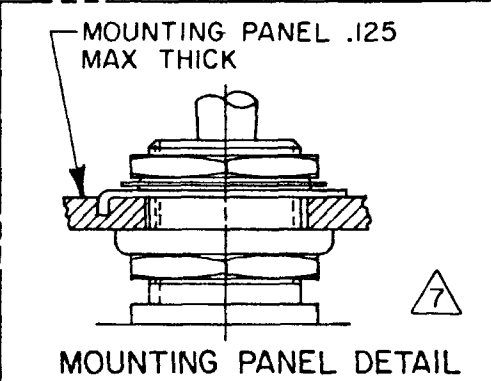
* ASTERISK DENOTES MOMENTARY POSITION



"A"	"B"	"D"	"E"
"F"	"G"	"H"	"J"
"K"	"L"	"M"	"N"
			"P"



- NOTES**
- UNIT INCLUDES "23SX39-T" TYPE BASIC SWITCH (8) MATING CONTACT SURFACES ARE 24K GOLD OVERLAY
 - SWITCHES DO NOT NECESSARILY OPERATE SIMULTANEOUSLY
 - TERMINALS ARE PLATED FOR SOLDERING
 - SWITCH NUMBERS STAMPED ON END OF BASIC SWITCHES
 - TERMINAL DESIGNATION STAMPED ON BOTH SIDES OF UNIT
 - MATTE NICKEL FINISH
 - FOR PANEL SEAL TO BE EFFECTIVE MOUNTING HOLE IN PANEL SHOULD NOT EXCEED .500 DIA
 - SUFFIX LETTER MUST BE ADDED FOR DESIRED TYPE TOGGLE LOCKING (SEE CHART FOR RECOMMENDED LOCKING COMBINATIONS)
 - HARDWARE FURNISHED ASSEMBLED WITH SWITCH OR IN PACKET PER MIL-PRF-8805



Shall not be either released outside the Government, or used, duplicated or disclosed in whole or in part for manufacture or procurement, without the written permission of MICRO SWITCH, A Division of Honeywell, except for: (I) emergency repair or overhaul work by or for the Government, where the item or process concerned is not otherwise reasonably available to enable timely performance of the work; or (II) release to a foreign government, as the interests of the United States may require; provided that in either case the release, use, duplication or disclosure hereof shall be marked on any reproduction hereof in whole or in part.

CHARACTERISTICS	ELECTRICAL DATA
PULLOUT FORCE 3 LB MIN-5 LB MAX	CONTACT ARRANGEMENT S P D T (8)

SCALE FULL	DO NOT SCALE PRINT
TOLERANCES APPLY TO DESIGN UNITS. CONVERSIONS ARE ONLY FOR REFERENCE. UNLESS NOTED, TOLERANCES ARE ±	
NO PLACES X	11.04
ONE PLACE X.X	0.41, 0.18
TWO PLACES X.XX	0.14, 0.06
THREE PLACES X.XXX	0.13, 0.05
ANGLES	
DESIGN UNITS <input type="checkbox"/> SI METRIC <input type="checkbox"/> US CUSTOMARY <input checked="" type="checkbox"/>	
THIRD ANGLE PROJECTION	
WEIGHT .09 LB APPROX	

VOLTS	CYCLE	AMPERES SEA LEVEL		AMPERES 70,000 FT.	
		RES	IND	RES	IND
28	DC	1	.5	1	.5

68AT203 SERIES CHART 2 PAGE 1 OF 1
 DRAWING NUMBER M
 ISSUE 8X
 5
 RELEASE NO. PR-11950
 REVISIONS
 A PR-11950
 S L B 10 FEB 83
 B C054000
 J A P 11 FEB 83
 19 OCT 83
 C 206022
 G J W JUL 02
 CHECK
 DRAWN
 S L B 10 FEB 83
 RASTER FO-32851-B
 DRAWN