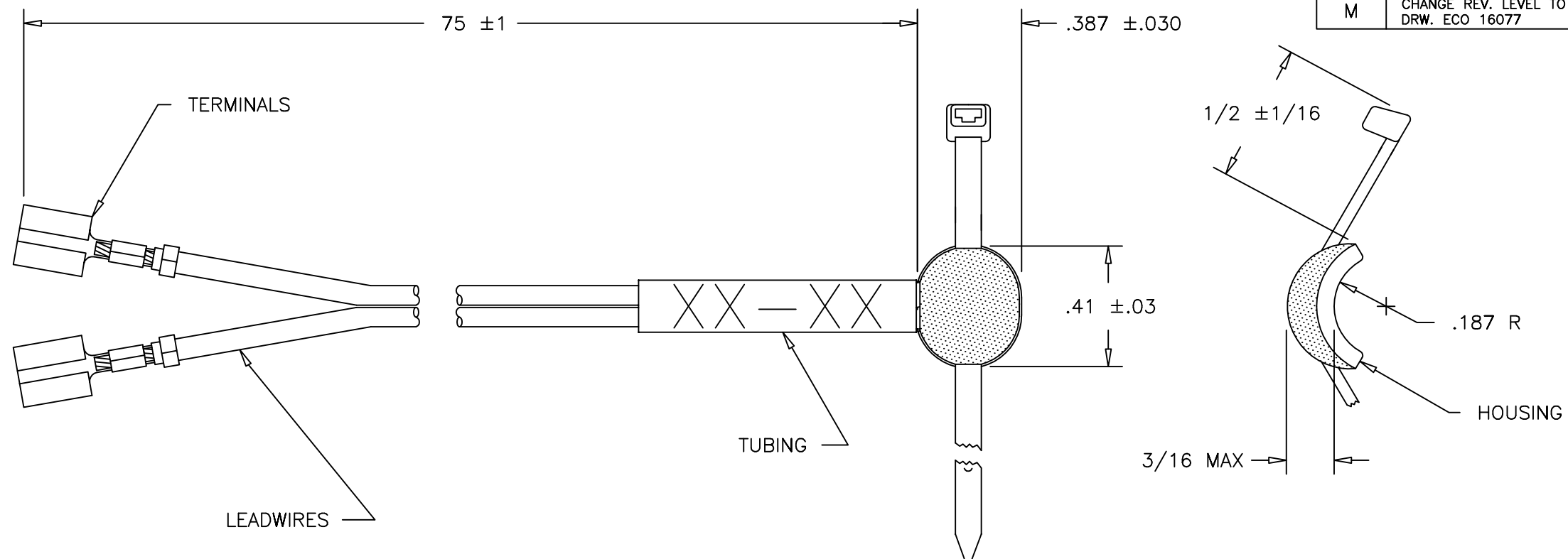



REV.	CHANGE	DATE	APPD.
F	REDRAWN PER ECO 8000	---	---
G	RTE SHT REV PER ECO 9088	11.6.95	DL
H	ADDED OP 155 REVED OP 160 PER ECO 13835	11.1.99	SP
J	RTE SHT REV PER ECO 14376	20APR00	ASC
K	RTE SHT REV PER ECO 14927	11.03.00	PF
L	RTE SHT REV PER ECO 16103	8.28.01	JHF
M	CHANGE REV. LEVEL TO MATCH ILLUSTRATION DRW. ECO 16077	8FEB06	RK



TERMINALS (2)	QUICK-CONNECT, FEMALE
LEADWIRES (2)	24 AWG, UL STYLE 1015, COLOR: YELLOW
TUBING	HEAT SHRINK, COLOR: WHITE IMPRINTED WITH WEEK-YEAR DATE CODE
HOUSING	304 ST. STEEL
RESISTANCE AT 25°C	10,000 OHMS ±4.4%
RESISTANCE AT 125°C	342 OHMS ±5.14%
TOLERANCES	±2°C FROM -40 TO -1°C ±1°C FROM 0 TO 100°C ±3°C FROM 101 TO 125°C
INSULATION RESISTANCE	2.5 MEGOHMS MINIMUM AT 500 VDC
HYPOT 500 VAC	3 SECONDS MINIMUM IN WATER

TOLERANCES UNLESS OTHERWISE NOTED, ALL DIMENSIONS ARE IN INCHES, AND TOLERANCES ARE AS SHOWN HERE. FRACTIONS = ±1/64 DECIMALS .XX = .01 .XXX = .005 ANGLES = 0°30'		DRAWN HS 16JAN95	DATE 1.17.95	 FENWAL ELECTRONICS 500 Narragansett Park Drive, Pawtucket, RI 02861-4325 (401) 727-1300 / (401) 728-5390				
USED ON ECO 8000		CHECKED MFP 1.16.95	DATE 1.16.95		TITLE PROBE ASSEMBLY OUTLINE			
SHEET 1		OF 1	DO NOT SCALE DRAWING		SCALE --	SIZE B	DRAWING NUMBER 535-34AB03-103	REV. M

This information is the property of FENWAL ELECTRONICS. It is submitted in confidence, and is not to be disclosed or utilized without written permission.