

MICRO SWITCH

FREEMONT ILLINOIS U.S.A.
A DIVISION OF HONEYWELL

FED. MFG. CODE 91929

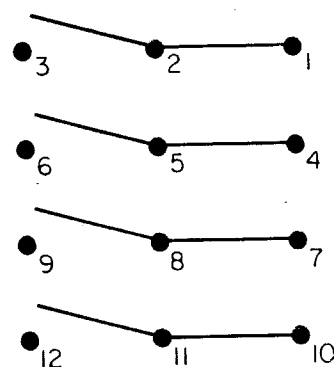
**SWITCH - TOGGLE
FLUSH KEY**

CATALOG LISTING
4TP1-10

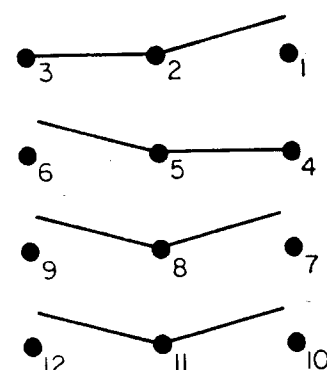
THIS DRAWING COVERS A PROPRIETARY ITEM AND IS THE PROPERTY OF MICRO SWITCH, A DIVISION OF HONEYWELL. THIS DRAWING IS NOT TO BE COPIED OR USED WITHOUT THE APPROVAL OF MICRO SWITCH.

CIRCUIT DIAGRAM

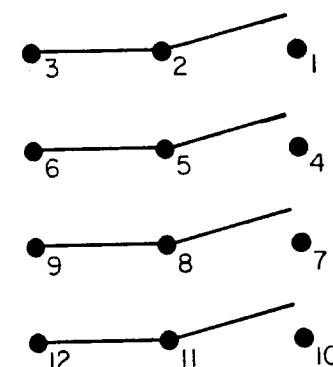
LUG SIDE
(MAINTAINED POSITION)



CENTER
(MAINTAINED POSITION)

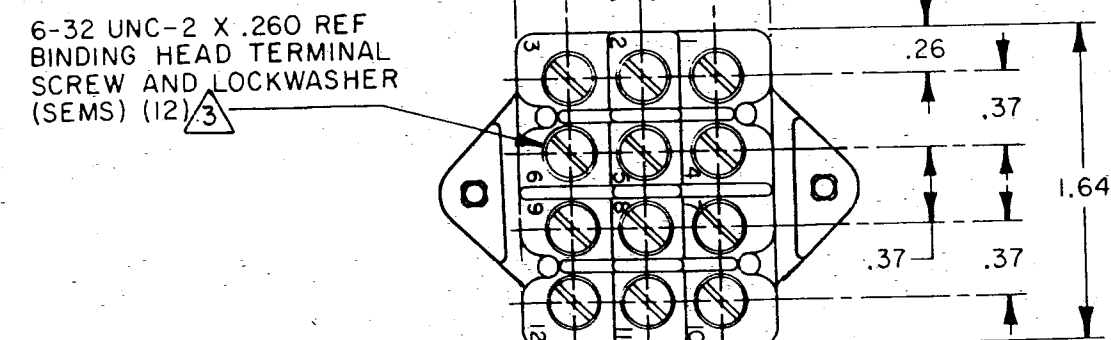
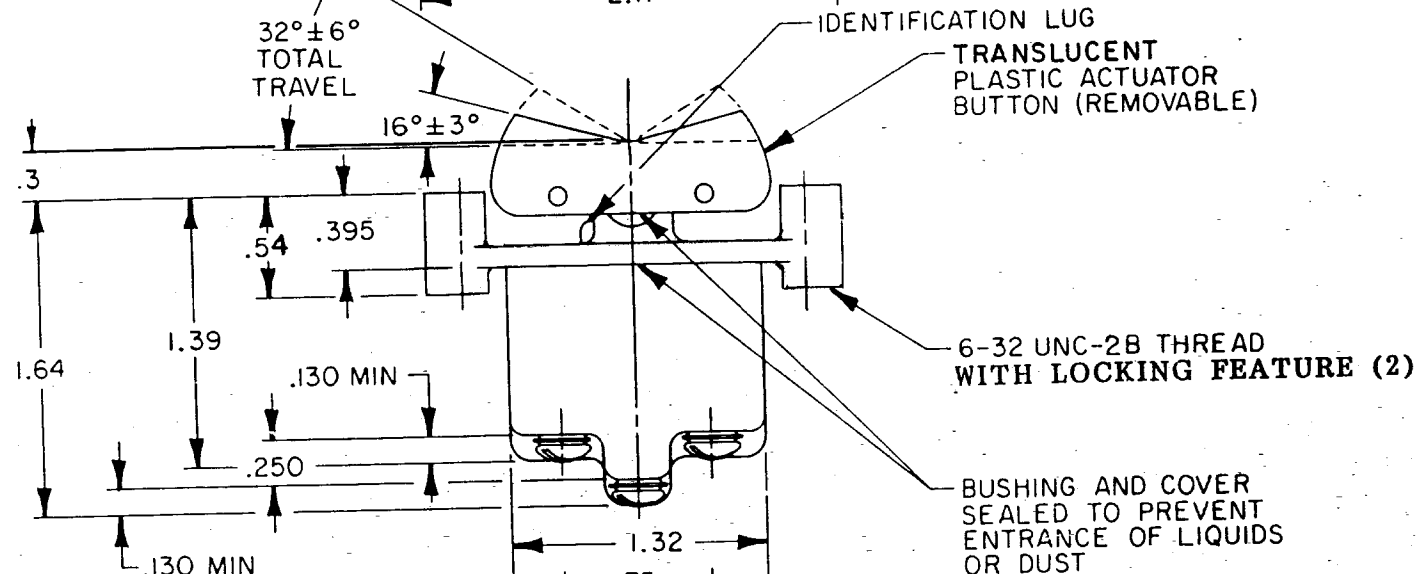
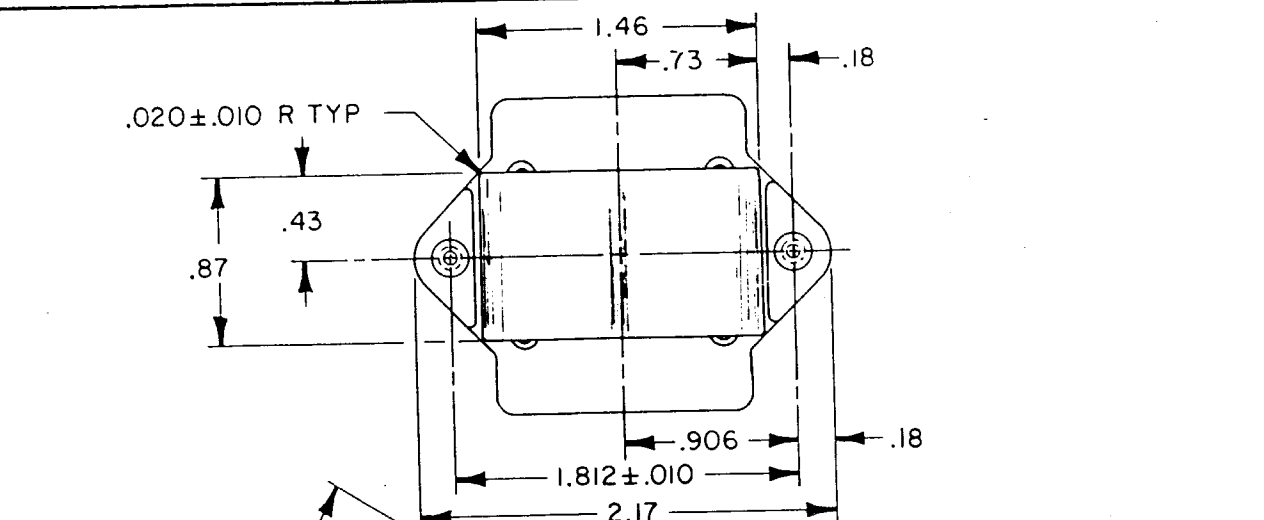


OPPOSITE LUG
(MAINTAINED POSITION)



ELECTRICAL DATA

15A-125,250 OR 277VAC
1/2HP-125VAC; 1HP-250,277VAC
5A-125VAC "L" CODE L191



NOTES

- 1 - MICRO SWITCH CATALOG LISTING MARKED ON SIDE OF SWITCH
- 2 - THESE SWITCHES WILL WITHSTAND TEMPERATURE OF 160°F
- 3 - FURNISHED UNASSEMBLED

4TP1-10

M

DRAWING NUMBER

ISSUE

14

REVISIONS

A	CO	50791	11 AUG 82
T	M	M	14 JUN 82
B	CO	056164	6 MAR 85
C	CO	60064	22 AUG 86
D	CO	77897	15 JUN 94
E	CO	79047	12 JAN 95

REPLACES

RELEASE NO. PR-2934

CHECK

CHECK

CHECK

CHECK

CHECK

CHECK

CHECK

CHECK

CHECK

CHECK



SCALE FULL

DO NOT SCALE PRINT

UNLESS OTHERWISE SPECIFIED TOLERANCES ARE

ONE PLACE	(.0)	± .030
TWO PLACE	(.00)	± .015
THREE PLACE	(.000)	± .005
ANGLES		±

WEIGHT .22 LB EST.

FO-52854-C

DRAWN

T M M

14 JUN 82

18 AUG 82

19 AUG 82

11 AUG 82

11 AUG 82