

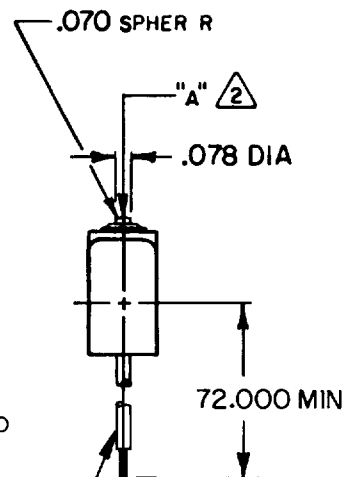
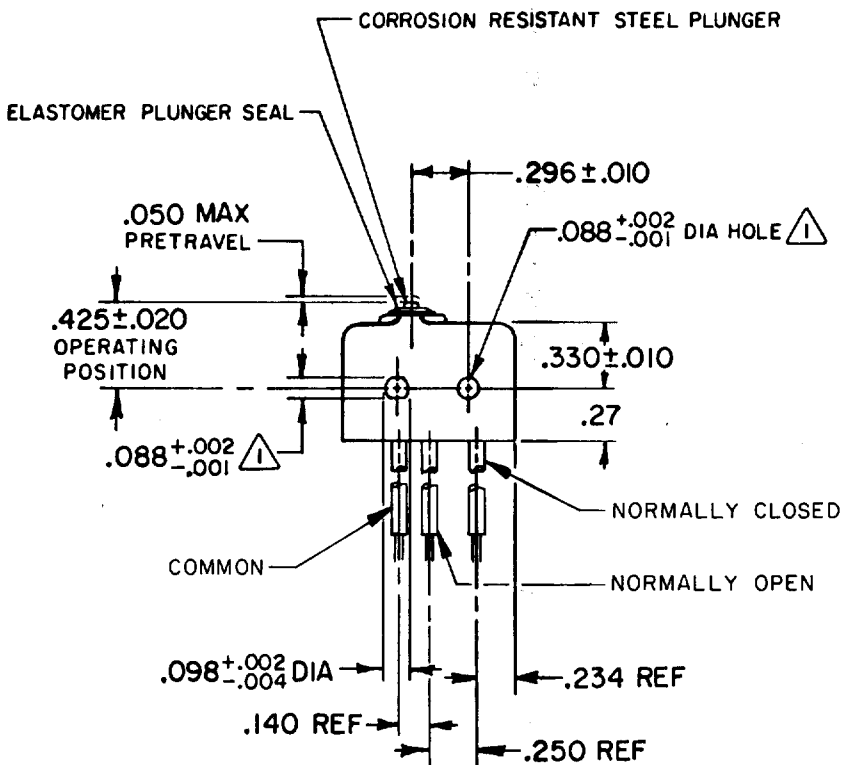
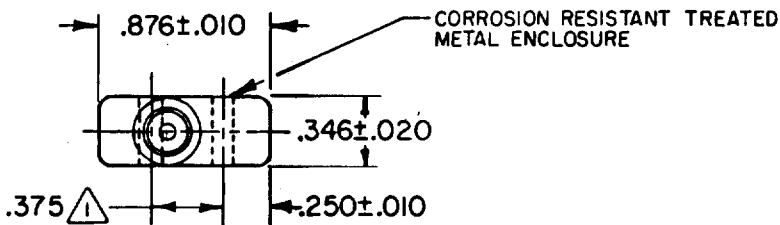
MICRO SWITCH

FREEPORT ILLINOIS, U.S.A
A DIVISION OF HONEYWELL
FED. MFG. CODE 91929

SWITCH-BASIC

CATALOG LISTING

4SEI-6



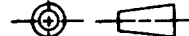
(3) NO. 20 WIRE LEAD PVC INSULATION UL LISTED EMBEDDED IN EPOXY CASTING RESIN

NOTES

- ① - MOUNTING HOLES WILL ACCEPT .087 MAX DIA PINS OR SCREWS ON .375±.002 CENTERS
- ② ACTUATION IN LINE WITH ARROW "A" IS RECOMMENDED
- ③ WEIGHT OF SWITCH ONLY IS .26 OZ MAX, WEIGHT OF SWITCH WITH WIRE LEADS IS 2.5 OZ MAX

THIS DRAWING COVERS A PROPRIETARY ITEM AND IS THE PROPERTY OF MICRO SWITCH, A DIVISION OF HONEYWELL. THIS DRAWING IS NOT TO BE COPIED OR USED WITHOUT THE APPROVAL OF MICRO SWITCH.

THIRD ANGLE PROJECTION



CHARACTERISTICS	
OPERATING FORCE	5-17 OZ
RELEASE FORCE	4 OZ MIN
RELEASE TRAVEL	.004 MIN
DIFFERENTIAL TRAVEL	.004 MAX
OVERTRAVEL	.003 MIN

ELECTRICAL DATA

CONTACT ARRANGEMENT
S P D T

L4
5A 250 VAC



SCALE FULL

DO NOT SCALE PRINT

TOLERANCES

APPLY TO DESIGN UNITS. CONVERSIONS ARE ONLY FOR REFERENCE. UNLESS NOTED, TOLERANCES ARE ±

NO PLACES	DIM. IN	TOL. mm/in	DIM. IN	TOL. mm/in
ONE PLACE	X	1/64	X.X	0.01/03
TWO PLACES	X,XX	0.4/010	X.XX	0.38/015
THREE PLACES	X,XXX	0.18/005	X.XXX	0.18/005

DESIGN UNITS SI METRIC US CUSTOMARY

WEIGHT ③

4SEI-6

M

DRAWING NUMBER

8

ISSUE

REPLACES

RELEASE NO. PR-11739

CHECK

REVISIONS

A	RE-INST PR11739
	TSK 9 DEC 82
B	CO-54473
	D J S 2 FEB 84

CHECK

13 DEC 82

FO-52848-A

DRAWN

82

TSK