



Representative photograph, actual product appearance may vary.

Due to regional agency approval requirements, some products may not be available in your area.

Please contact your regional Honeywell office regarding your product of choice.

BZ-2RQ69

BZ Series Standard Basic Switch, Single Pole Double Throw Circuitry, 15 A at 250 Vac, Overtravel Plunger Actuator, 2,5 N - 3,61 N [9 oz - 13 oz] Operating Force, Silver Contacts, Screw Termination, CE, CSA, DEMKO,

Features

- Accepted world-wide standard "Large Basic" switch
- Low operating force and differential travel
- Long mechanical life up to 20,000,000 cycles at 95% survival
- Elongated mounting hole for easier, more accurate mounting
- Current rating ranges from 15 A to 25 A
- Choice of actuation, termination and operating characteristics

Typical Applications

- Irrigation systems
- Semi-trailer trucks
- Timing devices
- Office equipment
- Test instruments
- Medical/dental equipment
- HVAC equipment
- Manually operated devices
- Valves

Description

BZ/BA Series Standard Basic Switches are used for simple or precision on/off application needs.

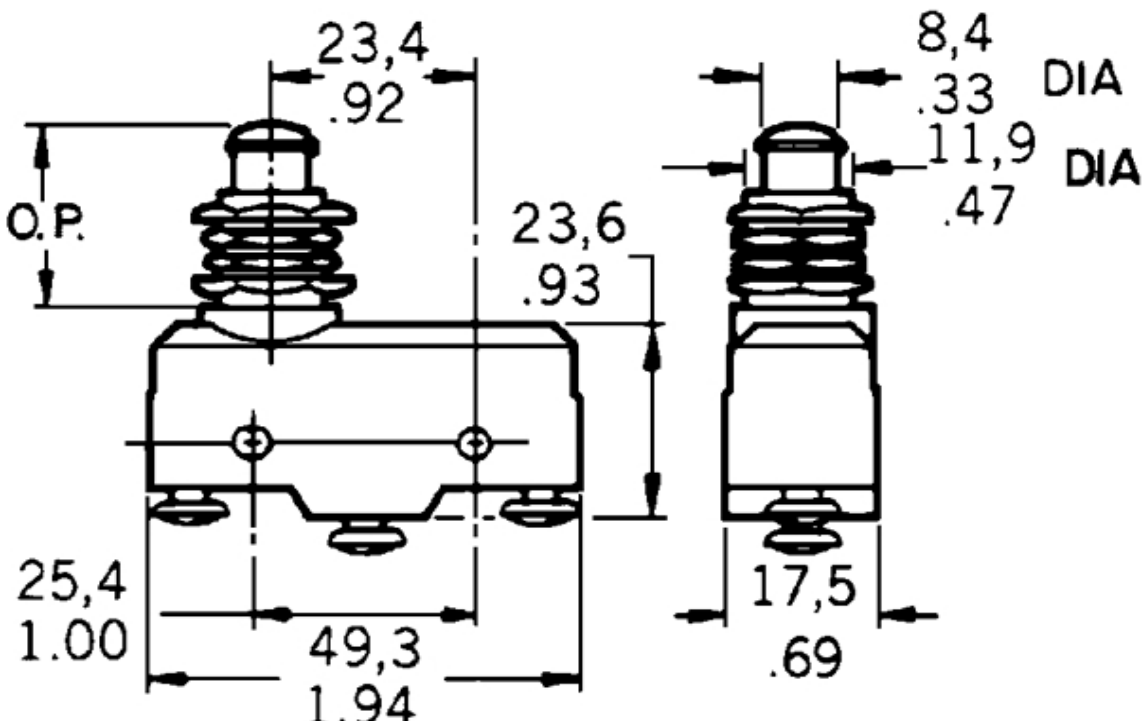
BZ-2RQ69

BZ Series Standard Basic Switch, Single Pole Double Throw Circuitry, 15 A at 250 Vac, Overtravel Plunger Actuator, 2,5 N - 3,61 N [9 oz - 13 oz] Operating Force, Silver Contacts, Screw Termination, CE, CSA, DEMKO,

| Product Specifications | |
|--------------------------------|---|
| Switch Type | Standard 25,4 mm H x 17,8 mm W x 50,8 mm L [1.0 in H x 0.7 in W x 2.0 in L] |
| Sealed | No |
| Ampere Rating | 15 A |
| Circuitry | Single Pole Double Throw (SPDT) |
| Actuator | Overtravel Plunger |
| Termination | Screw |
| Operating Temperature Range | -55 °C to 85 °C [-67 °F to 185 °F] |
| Voltage | 250 Vac |
| Approvals | CE, CSA, DEMKO, UL |
| Contact Type | Silver |
| Operating Force (O.F.) | 2,5 N - 3,61 N [9.0 oz - 13.0 oz] |
| Release Force (R.F.) | 1,11 N [4.0 oz] min. |
| Pretravel (P.T.) | 0,38 mm [0.015 in] max. |
| Overtravel (O.T.) | 3,58 mm [0.141 in] min. |
| Differential Travel (D.T.) | 0,01 mm - 0,05 mm [0.0004 in - 0.0020 in] |
| Operating Position (O.P.) | 43,26 mm [1.024 in] ± 0,76 mm [1.703 in ± 0.030 in] |
| Material | Plastic |
| Housing Material | General Purpose Phenolic |
| High Temperature | 204 °C [400 °F] |
| CE mark | 61058-1 |
| UL File # | E12252 |
| CSA File # | LR41370 |
| Agency Approvals and Standards | 1054 |
| Mounting Screw Size | 3,53 mm [0.139 in] |
| Mounting Centers | 25,4 mm [1 in] |
| Maximum Tightening Torque | 0,33 N m [3.0 in lb] |
| Weight | 39 g [0.086 lb] |
| Package Height | 24,1 mm [0.95 in] |
| Package Width | 17,5 mm [0.69 in] |
| Package Length | 49,3 mm [1.94 in] |
| Availability | Global |
| UNSPSC Code | 30211905 |
| UNSPSC Commodity | 30211905 Snap switches |
| Series Name | BZ Series |

BZ-2RQ69

BZ Series Standard Basic Switch, Single Pole Double Throw Circuitry, 15 A at 250 Vac, Overtravel Plunger Actuator, 2,5 N - 3,61 N [9 oz - 13 oz] Operating Force, Silver Contacts, Screw Termination, CE, CSA, DEMKO,



BZ-2RQ69

BZ Series Standard Basic Switch, Single Pole Double Throw Circuitry, 15 A at 250 Vac, Overtravel Plunger Actuator, 2,5 N - 3,61 N [9 oz - 13 oz] Operating Force, Silver Contacts, Screw Termination, CE, CSA, DEMKO,

WARNING

PERSONAL INJURY

DO NOT USE these products as safety or emergency stop devices, or in any other application where failure of the product could result in personal injury.

Failure to comply with these instructions could result in death or serious injury.

WARNING

MISUSE OF DOCUMENTATION

- The information presented in this product sheet (or catalog) is for reference only. DO NOT USE this document as product installation information.
- Complete installation, operation and maintenance information is provided in the instructions supplied with each product.

Failure to comply with these instructions could result in death or serious injury.