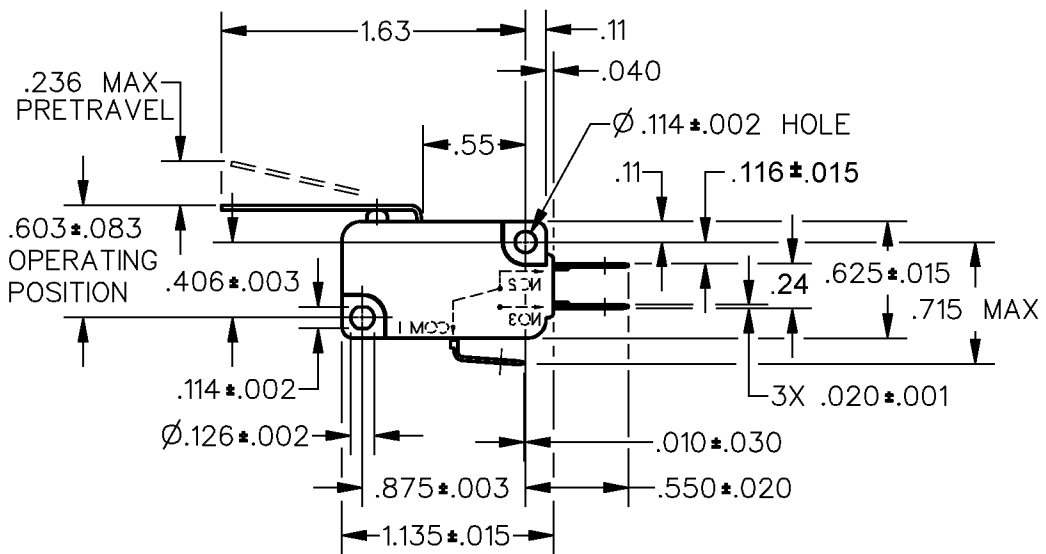
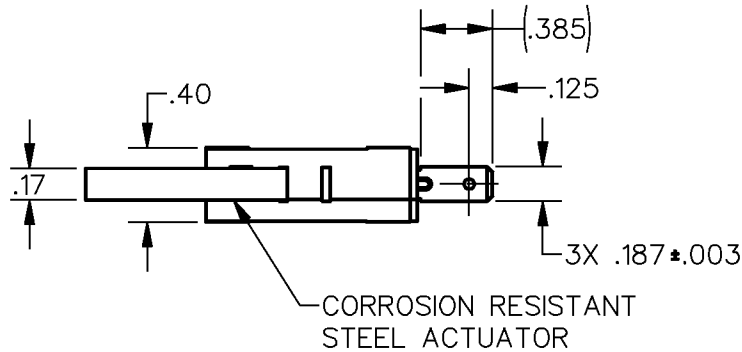


CATALOG LISTING
V7-1B17D8-122
PAGE 1 OF 1
RELEASE NO. PR-23344
REPLACES
M
ISSUE 3



REVISIONS

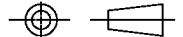
A	REL PR23344	30JAN12
	DCS	12 FEB 98
B	0085964	30JAN12
	SBH	30JAN12

CHECK 30JAN12
CHECK 12 FEB 98
CHECK CMH

ANSI Y14.5M-1982 APPLIES

THIS DRAWING COVERS A PROPRIETARY ITEM AND IS THE PROPERTY OF MICRO SWITCH, A DIVISION OF HONEYWELL. THIS DRAWING IS NOT TO BE COPIED OR USED WITHOUT THE APPROVAL OF MICRO SWITCH.

THIRD ANGLE PROJECTION



CHARACTERISTICS	ELECTRICAL DATA	SCALE	NONE	DO NOT SCALE PRINT
OPERATING FORCE— — —43 GRAMS MAX	CONTACT ARRANGEMENT S P D T	UNLESS OTHERWISE SPECIFIED TOLERANCES ARE		
RELEASE FORCE— — —4 GRAMS MIN	L156 11A 1/3HP 125, 250 OR 277 VAC 1/2A 125 VDC, 1/4A 250 VDC 4A 125 VAC "L"	ONE PLACE (.0)	± .030	
DIFFERENTIAL TRAVEL— — —.053 MAX		TWO PLACE (.00)	± .015	
OVERTRAVEL— — — —.118 MIN		THREE PLACE (.000)	± .005	
RELEASE TRAVEL— — — —.032 MIN		ANGLES	±	
		WEIGHT		



RASTER
DRAWN
DCS 30 JAN 98