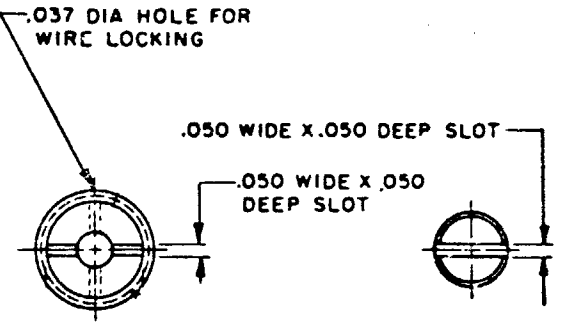
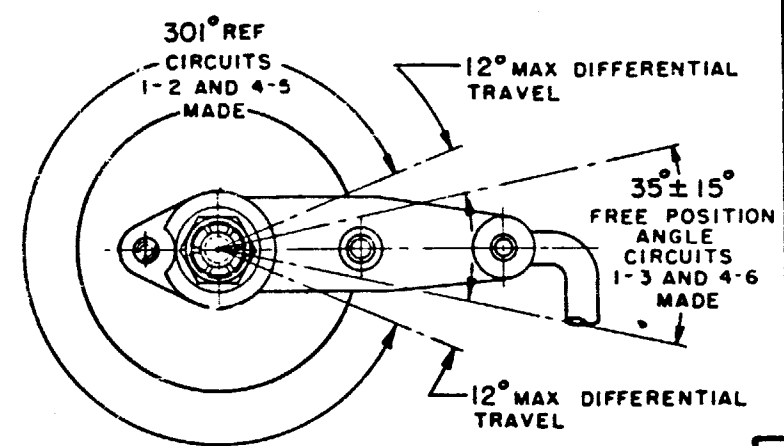


MICRO SWITCH
 FREEPORT ILLINOIS, U.S.A.
 A DIVISION OF HONEYWELL
 FED. MFG. CODE 91929

SWITCH - ENCLOSED

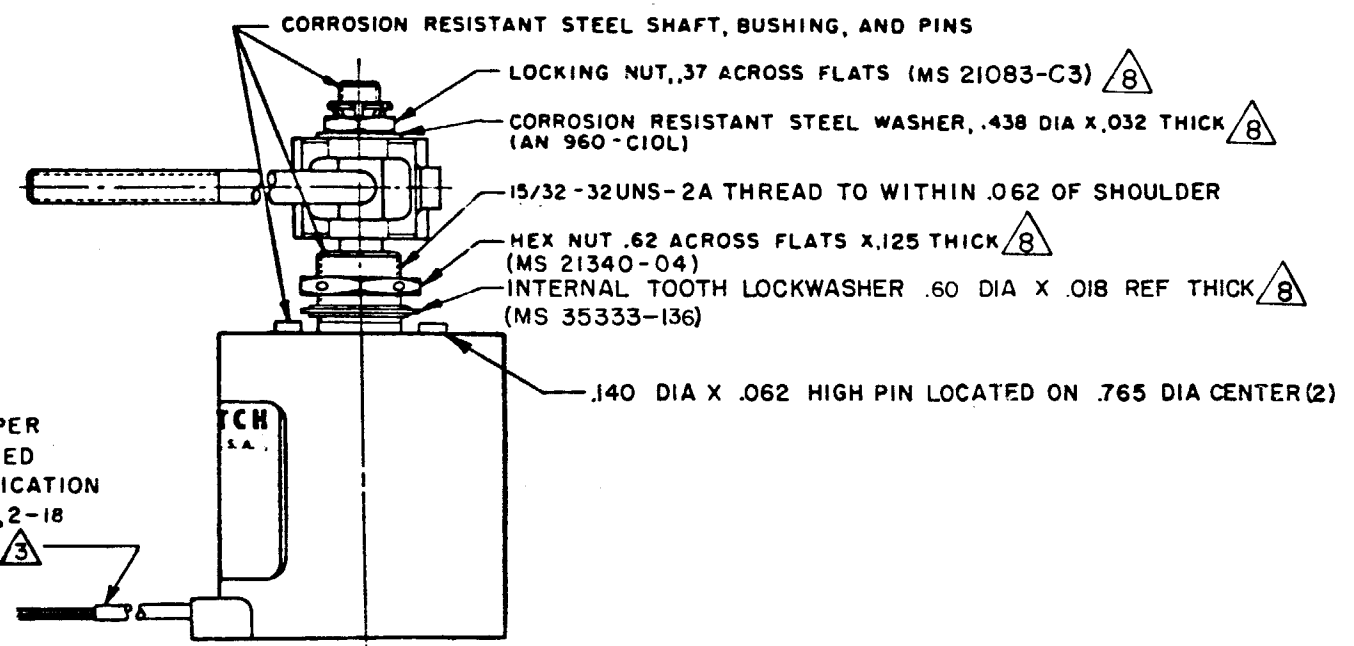
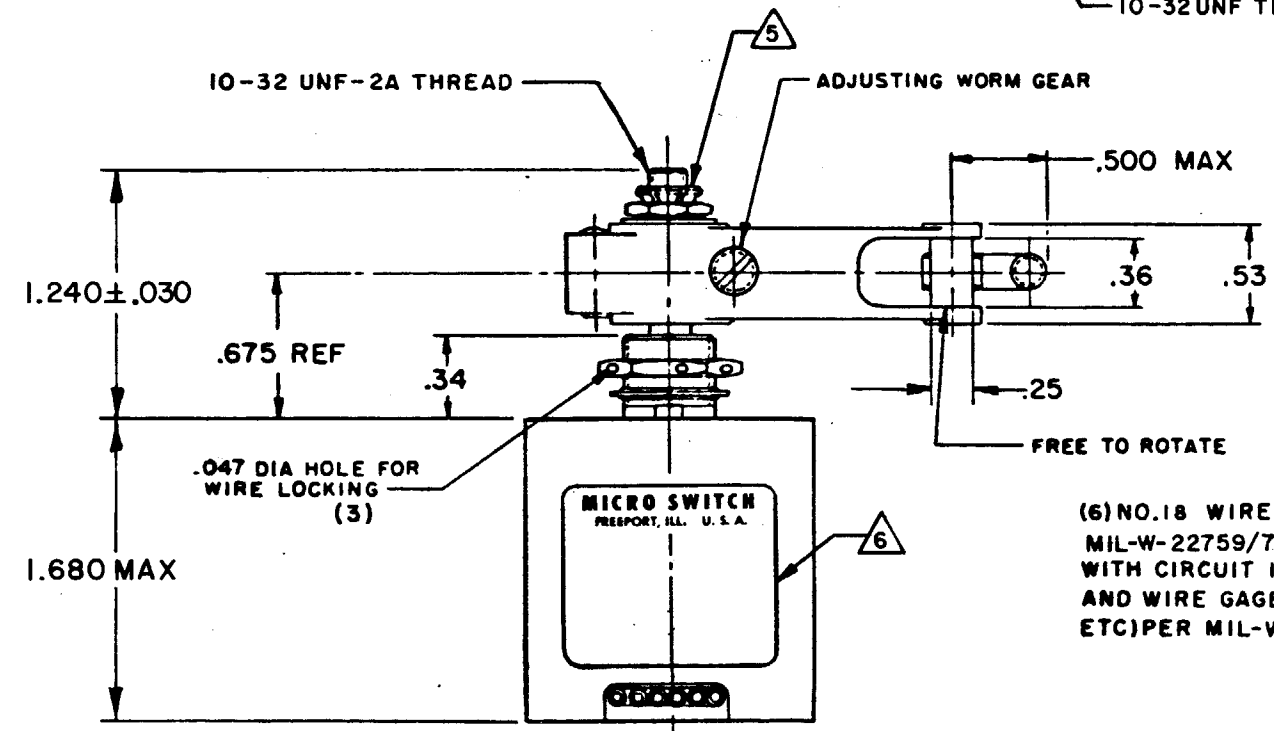
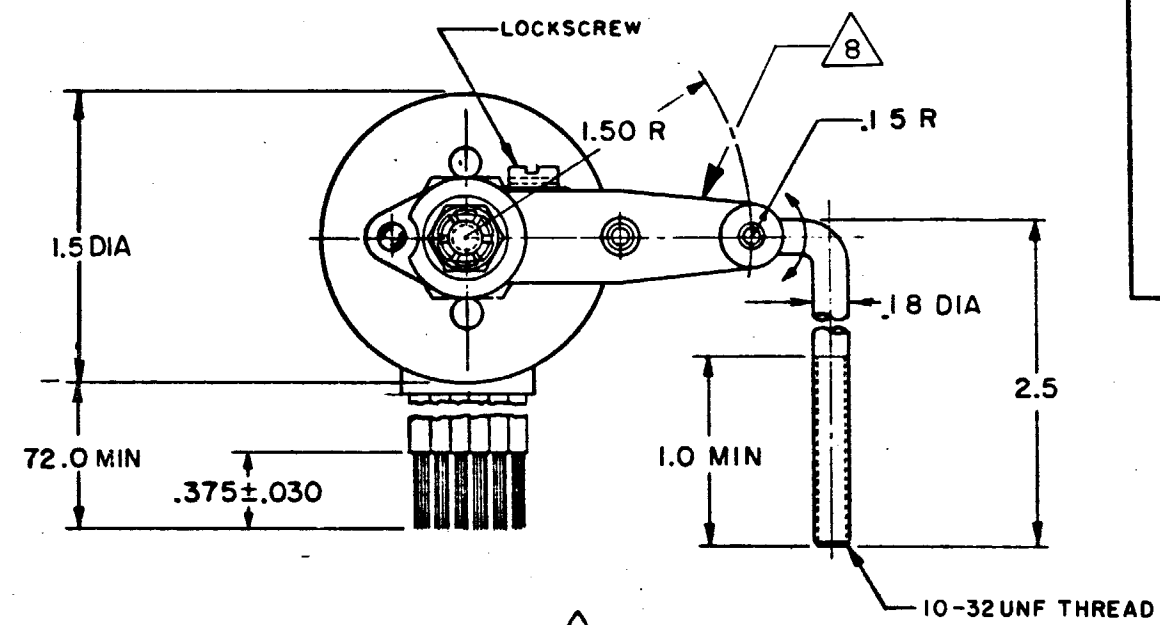
CATALOG LISTING
42EN1-6
 MILITARY STANDARD
 MS 24420-2



LOCKSCREW **GEAR**

LEVER MAY BE ADJUSTED FOR AN INFINITE NUMBER OF POSITIONS THRU 360°. ADJUSTMENT IS MADE BY LOOSENING THE LOCKING NUT AND THEN THE LOCKSCREW AND TURNING GEAR UNTIL LEVER IS IN DESIRED POSITION. LOCKSCREW AND LOCKNUT ON SHAFT IS THEN TIGHTENED TO POSITIVELY LOCK LEVER IN POSITION.

LEVER ADJUSTMENT DETAIL
 SCALE 2 TO 1



(6) NO.18 WIRE LEAD PER MIL-W-22759/7 MARKED WITH CIRCUIT IDENTIFICATION AND WIRE GAGE (1-18, 2-18 ETC) PER MIL-W-5088 with triangle symbol 3

NOTES

- 1 - CORROSION RESISTANT STEEL ENCLOSURE
- 2 - SWITCH SEALED PER MIL-S-8805 SYMBOL 4
- 3 LEADS PARALLEL WITH CENTERLINE OF MOUNTING PINS WITHIN 10°
- 4 - UNIT PROVIDES NO SHAFT RESTORING TORQUE. THE ACTUATING DEVICE MUST CONTROL MOVEMENT OF THE SHAFT
- 5 DO NOT APPLY MORE THAN 20-25 INCH-POUNDS OF TORQUE WHEN TIGHTENING LOCKING NUT
- 6 CIRCUIT DIAGRAM, CATALOG LISTING AND MIL STD NO. MS24420-2 ARE SHOWN ON NAMEPLATE
- 7 APPLICATION INFORMATION ONLY
- 8 HARDWARE MAY BE PACKAGED UNASSEMBLED PER MIL-S-8805

42EN1-6
 DRAWING NUMBER
 M
 ISSUE 2006
 2025
 REVISIONS
 A 14 NOV 78
 B 047573 YSM 11 AUG 80
 C 0049806 DJW 25 SEPT 81
 D CO 75787-C DAW 16 MAY 94
 CHECK 27 NOV 78
 CHECK 14 NOV 78
 DRAWN
 TRF
 FO-88851-A

THIS DRAWING COVERS A PROPRIETARY ITEM AND IS THE PROPERTY OF MICRO SWITCH, A DIVISION OF HONEYWELL. THIS DRAWING IS NOT TO BE COPIED OR USED WITHOUT THE APPROVAL OF MICRO SWITCH.		THIRD ANGLE PROJECTION	SCALE FULL
DO NOT SCALE PRINT		TOLERANCES	
APPLY TO DESIGN UNITS. CONVERSIONS ARE ONLY FOR REFERENCE. UNLESS NOTED, TOLERANCES ARE:		NO PLACES DIM. mm TOL. mm/in	
ONE PLACE X 17.04		TWO PLACES X.X 0.47/018	
THREE PLACES X.XX 0.157/008		X.XX 0.87/03	
X.XXX 0.387/015		X.XXX 0.137/005	
DESIGN UNITS		SI METRIC	
RAW MATERIAL - COMMERCIAL STANDARD		US CUSTOMARY	
MICRO SWITCH STANDARDS APPLY		DIMENSIONS ARE TO BE MET BEFORE PROTECTIVE COATINGS ARE APPLIED	
WEIGHT .75 LB			
CHARACTERISTICS		ELECTRICAL DATA	
MAX OPERATING TORQUE ----- 5 IN-LB		CONTACT ARRANGEMENT (SEE CIRCUIT DIAGRAM)	
PRETRAVEL DIFFERENTIAL TRAVEL OVERTRAVEL FREE POSITION } SEE DETAIL		28 VDC	
		SEA LEVEL 50,000 FT.	
LOAD		RES	10 10
IND		IND	6 3
MOTOR		MOTOR	6 6
LAMP		LAMP	3.6 3.6