

NOTES

- 1 - COINCIDENCE OF OPERATING AND RELEASING POINTS: .010 OF PLUNGER TRAVEL
- 2 - CORROSION RESISTANT ENCLOSURE, PLUNGER, AND BUSHING
- 3 - SWITCH SEALED PER MIL-PRF-8805, SYMBOL 4
- 4 PRINT CIRCUIT DIAGRAM, CATALOG LISTING AND DATE CODE ON NAMEPLATE
- 5 HARDWARE MAY BE PACKAGED UNASSEMBLED PER MIL-PRF-8805
- 6 - TEMPERATURE RANGE: -67°F TO +236°F
- 7 - NOTED ELECTRICAL RATING APPLIES PER MIL-PRF-8805/40-1 UP TO +236°F
- 8 - SHOCK QUALIFIED TO 100g
- 9 MOUNTING PANEL THICKNESS: .100 MINIMUM
- 10- ICING QUALIFIED PER MIL-PRF-8805
- 11 - MINIMUM ELECTRICAL LIFE AT RATED LOAD: 35,000 CYCLES
- 12- MINIMUM MECHANICAL ENDURANCE: 35,000 CYCLES
- 13- QUALIFIED FOR SAND AND DUST PER MIL-STD-810, METHOD 510.3
- 14- QUALIFIED FOR HUMIDITY PER MIL-STD-810, METHOD 507.3
- 15- QUALIFIED TO 500 HOURS CONTINUOUS EXPOSURE TO SALT FOG PER MIL-STD-810, METHOD 509.3

R .062 ± .010
Ø.250

5/8-24 UNEF-2A THREAD TO WITHIN .125 OF SHOULDER

KEYWAY TO WITHIN .250 OF SHOULDER
▽.038±.003 X .072±.004 WIDE

REALLOCK™ WITH INTERNAL AND EXTERNAL KEY (RL2-M131)

REALLOCK™ WITH INTERNAL KEY (RL2-M111)

2X CRES NUT PER MS 21340-05

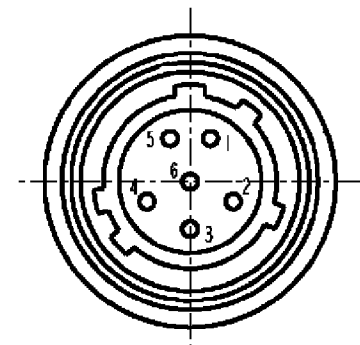
2.262 ± .030
FREE POSITION

1.64 ± .02

2.200 MAX

Ø.75

CONNECTOR PER D38999/25YA35PA



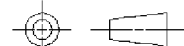
CONNECTOR DETAIL

CATALOG LISTING
402EN224-RB
PAGE 1 OF 1
ISSUE **M** 4
REPLACES
RELEASE NO. 204149
CHECK
REVISIONS
A 205142
G JW 20 MAR 02
B 205641
G JW 24 MAY 02
C 0012624
PH/AP 18 MAY 05
CHECK
SAV 12 OCT 01
DRAWN
CSL 12 OCT 01
RASTER

ANSI Y14.5M-1982 APPLIES

THIS DRAWING COVERS A PROPRIETARY ITEM AND IS THE PROPERTY OF MICRO SWITCH, A DIVISION OF HONEYWELL. THIS DRAWING IS NOT TO BE COPIED OR USED WITHOUT THE APPROVAL OF MICRO SWITCH

THIRD ANGLE PROJECTION



SCALE NONE

DO NOT SCALE PRINT

CHARACTERISTICS		ELECTRICAL DATA	
OPERATING FORCE -----	6 - 12 LBS	CONTACT ARRANGEMENT	
FULL OVERTRAVEL FORCE ----	30 LBS MAX	2X S P D T GOLD	
RELEASE FORCE -----	4 LBS MIN	28 VDC	
PRETRAVEL -----	.040 MAX	LOAD (AMPS)	SEA LEVEL 50,000 FT
DIFFERENTIAL TRAVEL ----	.020 MAX	RESISTIVE	.5 .5
OVERTRAVEL -----	.500 MIN	INDUCTIVE	.25 .25
WEIGHT .22 LBS MAX			