

**MICRO SWITCH**

FREEDPORT, ILLINOIS, U.S.A.  
A DIVISION OF HONEYWELL

FED. MFG. CODE 91929

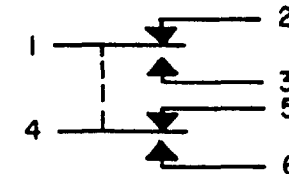
**SWITCH - ENCLOSED**

CATALOG LISTING

**402EN1-6**

MILITARY STDS. PART NO.

MS 21321-1



CIRCUIT DIAGRAM

402EN1-6  
PAGE 1 OF 1

M

DRAWING NUMBER

23

ISSUE

REVISIONS

A	CO44351	21 DEC 09
J	A P	19 SEPT 79
B	CO46777	
L	A P	12 NOV 79
C	CO47121	
R	J H	10 JAN 80
D	CO57370	
M	A M	14 MAY 85
E	CO-93700	
W	J C	2 NOV 98
F	0059609	
L	K	21 DEC 09

REPLACES

RELEASE NO. SR-8567

CHECK

CMH

CHECK

79

SEP

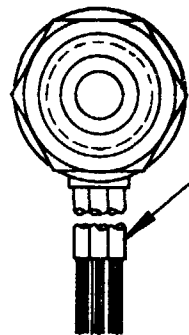
SEP

CHECK

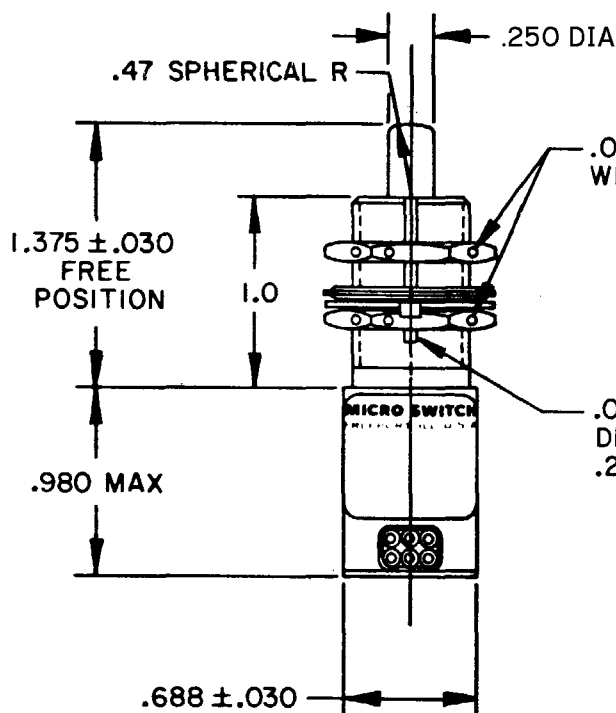
79

SEP

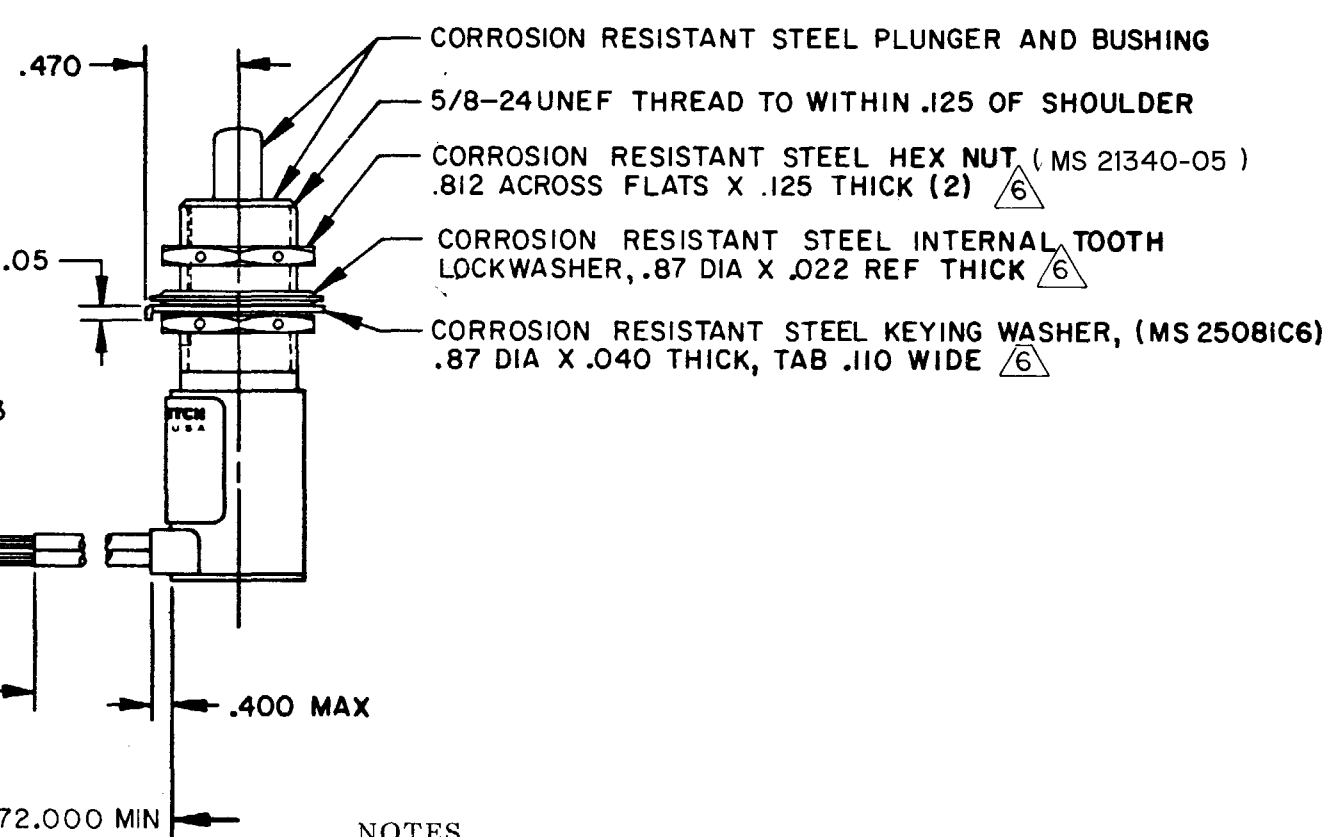
SEP



(6) NO. 20 WIRE LEAD PER MIL-W-22759/7 MARKED WITH CIRCUIT IDENTIFICATION AND WIRE GAGE (1-20, 2-20, ETC) PER MIL-W-5088



.047 DIA HOLE FOR WIRE LOCKING (3)



NOTES

- 1 - CORROSION RESISTANT STEEL ENCLOSURE
- 2 - SWITCH SEALED PER MIL-PRF-8805 SYMBOL 4
- 3 - CIRCUIT DIAGRAM, CATALOG LISTING AND MILITARY STD. PART NO. MS21321-1 ARE SHOWN ON NAMEPLATE
- 4 - COINCIDENCE OF OPERATING AND RELEASING POINTS: .010 OF PLUNGER TRAVEL
- 5 APPLICATION INFORMATION ONLY
- ⚠️ 6 HARDWARE MAY BE PACKAGED UNASSEMBLED PER MIL - PRF-8805

THIS DRAWING COVERS A PROPRIETARY ITEM AND IS THE PROPERTY OF MICRO SWITCH. A DIVISION OF HONEYWELL. THIS DRAWING IS NOT TO BE COPIED OR USED WITHOUT THE APPROVAL OF MICRO SWITCH.

SCALE FULL	
DO NOT SCALE PRINT	
TOLERANCES	
APPLY TO DESIGN UNITS. CONVERSIONS ARE ONLY FOR REFERENCE. UNLESS NOTED, TOLERANCES ARE 2	
DIM. IN	TOL. mm/in
NO PLACES	X 1/.04
ONE PLACE	X,X 0.07/018
TWO PLACES	X,XX 0.157/006
THREE PLACES	X,XXX 0.127/005
ANGLES	
DESIGN UNITS <input type="checkbox"/> SI METRIC <input type="checkbox"/> US CUSTOMARY	
THIRD ANGLE PROJECTION	
WEIGHT .45 LB MAX	

CHARACTERISTICS	ELECTRICAL DATA
OPERATING FORCE ----- 6-12 LB	CONTACT ARRANGEMENT S P D T (2)
FULL OVERTRAVEL FORCE --- 30 LBS MAX	28 VDC
RELEASE FORCE ----- 4 LBS MIN	LOAD
PRETRAVEL ----- .040 MAX	RES
DIFFERENTIAL TRAVEL --- .020 MAX	IND
OVERTRAVEL ----- .250 MIN	MOTOR

LOAD	SEA LEVEL	50,000 FT.
RES	7	7
IND	4	2.5
MOTOR	4	4 / 5

RASTER  
FO-92851-B

DRAWN

J A P

19 SEPT 79

SEP

SEP